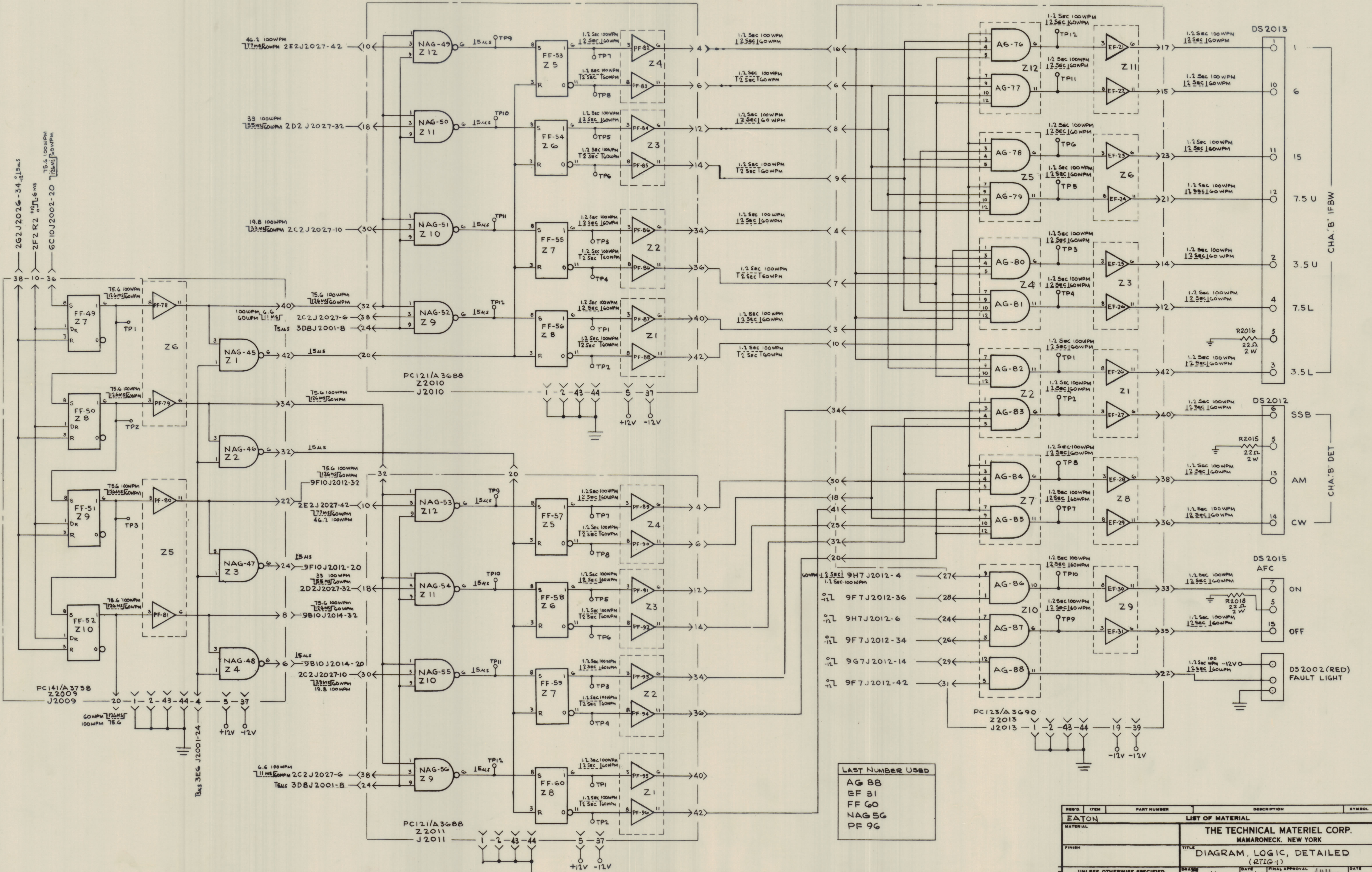


REVISIONS					
REV	DESCRIPTION	DATE	E.S.N. NO.	DRAFT	CHKD
0	ORIGINAL RELEASE FOR PRODUCTION	11/1/65			



LAST NUMBER USED
 AG 88
 EF 31
 FF 60
 NAG 56
 PF 96

REV'D	ITEM	PART NUMBER	DESCRIPTION	SYMBOL
EATON LIST OF MATERIAL				
THE TECHNICAL MATERIEL CORP. MAMARONECK, NEW YORK				
DIAGRAM, LOGIC, DETAILED (RTIG-1)				
UNLESS OTHERWISE SPECIFIED DIMENSIONS ARE IN INCHES AND INCLUDE CHEMICALLY APPLIED OR PLATED FINISHES		DRAWN JL	DATE 7/7/65	FINAL APPROVAL [Signature]
CHECKED [Signature]		DATE 7/16/65	DATE [Signature]	
TOLERANCES		FRACIONS	REV. 1009	
1/16 ± .001		3/16 ± .001	PAGE 8 OF 9	
1/8 ± .001		1/2 ± .001	REV. 178	
3/16 ± .001		1 ± .001	EATON CO. WHITESTON, N.Y. U.S.A.	