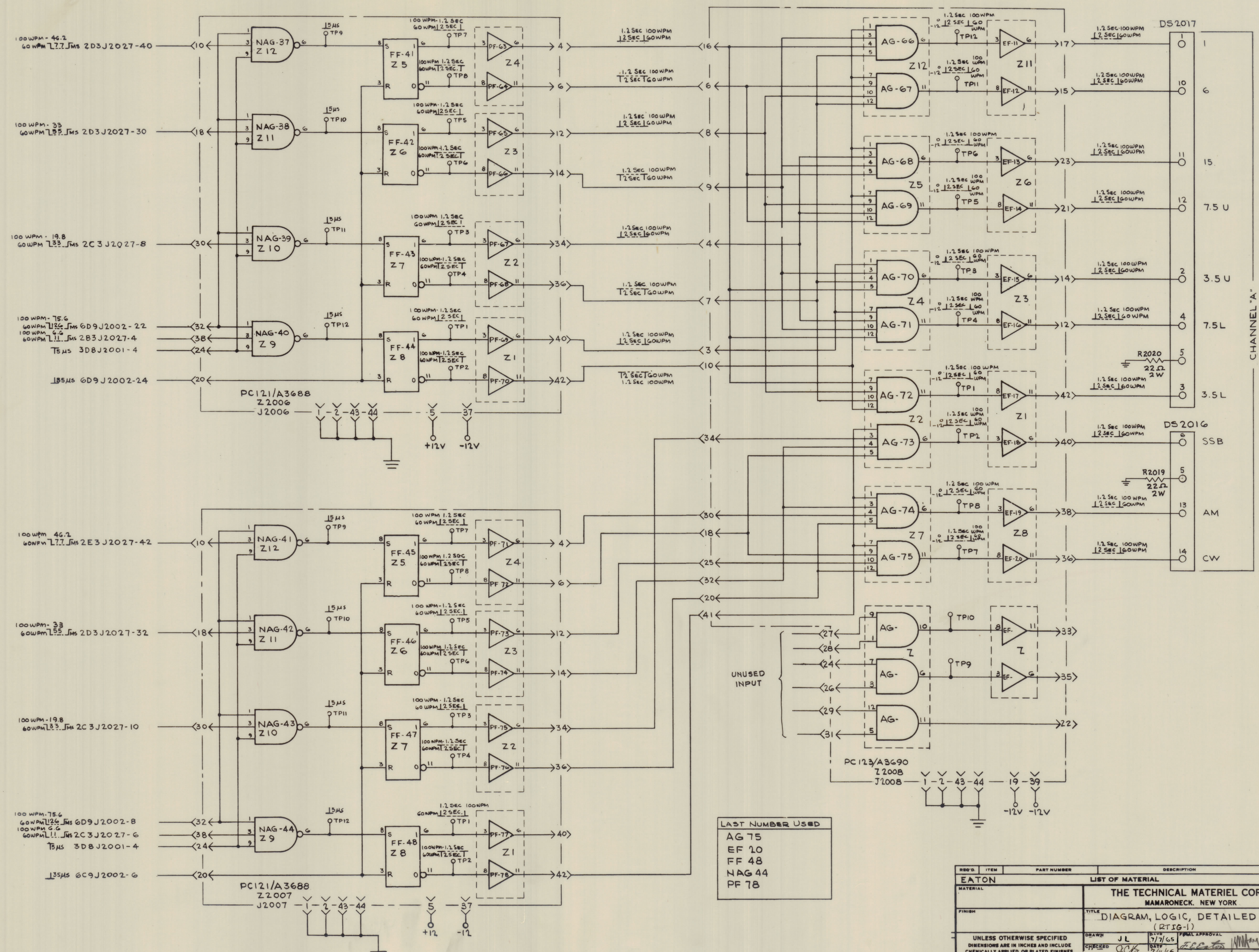


REVISIONS						
REV	DESCRIPTION	DATE	E.N.M. NO.	DRAFT	CHKD	APPD
1	ORIGINAL RELEASE FOR PRODUCTION	7/16/65				



LAST NUMBER USED  
 AG 75  
 EF 10  
 FF 48  
 NAG 44  
 PF 78

REV	ITEM	PART NUMBER	DESCRIPTION	SYMBOL
EATON LIST OF MATERIAL				
MATERIAL				
FINISH				
UNLESS OTHERWISE SPECIFIED DIMENSIONS ARE IN INCHES AND INCLUDE CHEMICALLY APPLIED OR PLATED FINISHES				
DECIMALS FRACTIONS				
TOLERANCES				

THE TECHNICAL MATERIEL CORP.			
MAMARONECK, NEW YORK			
TITLE			
DIAGRAM, LOGIC, DETAILED (RTIG-1)			
DRAWN	DATE	APPROVAL	DATE
JL	7/7/65		7/16/65
CHECKED	DATE	APPROVAL	DATE
QC	7/16/65		7/16/65
ELECT. DES.	DATE	APPROVAL	DATE
CK 1009			REV. LTR.
SHEET 7 OF 9			REV. LTR.