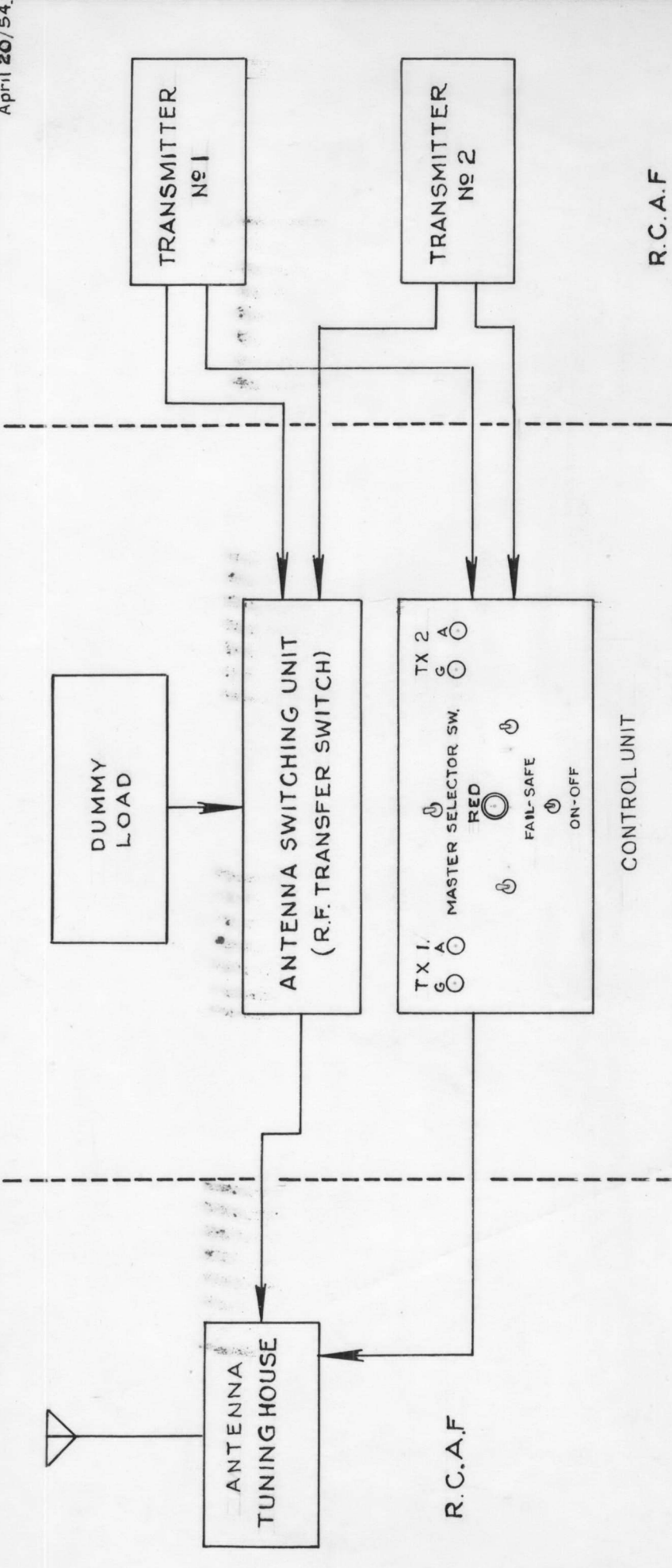


IF IT IS FOUND DESIRABLE TO CHANGE ANY TOLERANCE OR OTHER DETAIL SPECIFIED ON THIS DRAWING NOTIFY THE PURCHASER PROMPTLY.

MAXIMUM ALLOWABLE TOLERANCES HAVE BEEN DETERMINED AND DEVIATIONS WILL BE CAUSE FOR REJECTION. REMOVE ALL BURRS AND SHARP EDGES

CK10018  
 USED ON  
 PROJECT NO.  
 ASSY. NO.  
 DATE  
 April 20/54.



REQ. ITEM	PART NO.	DESCRIPTION	SYMBOL
		TMC (Canada) LIMITED OTTAWA ONTARIO	
		PROPOSAL	
		LF/MF BEACON TRANSMITTER CHANGE OVER ASSEMBLY	
		E.W.B.G.	
		DRAWN	ELEC. DES. APP.
			MECH. DES. APP.
		CHECKED	FINAL APPROVAL
			CK-10018

ISSUE	ITEM	CHANGED FROM	DATE	CN. NO.	DRAFTS	CHECKER	ENG. APP.
SCALE							
TOLERANCES							
ALL OTHERS							
		DEC. DIM. ±					
		FRAC. DIM. ±					
		ANGULAR DIM. ±					

IF IT IS FOUND DESIRABLE TO CHANGE ANY TOLERANCE OR OTHER DETAIL SPECIFIED ON THIS DRAWING NOTIFY THE PURCHASER PROMPTLY.

MAXIMUM ALLOWABLE TOLERANCES HAVE BEEN DETERMINED AND DEVIATIONS WILL BE CAUSE FOR REJECTION. REMOVE ALL BURRS AND SHARP EDGES

CK10023

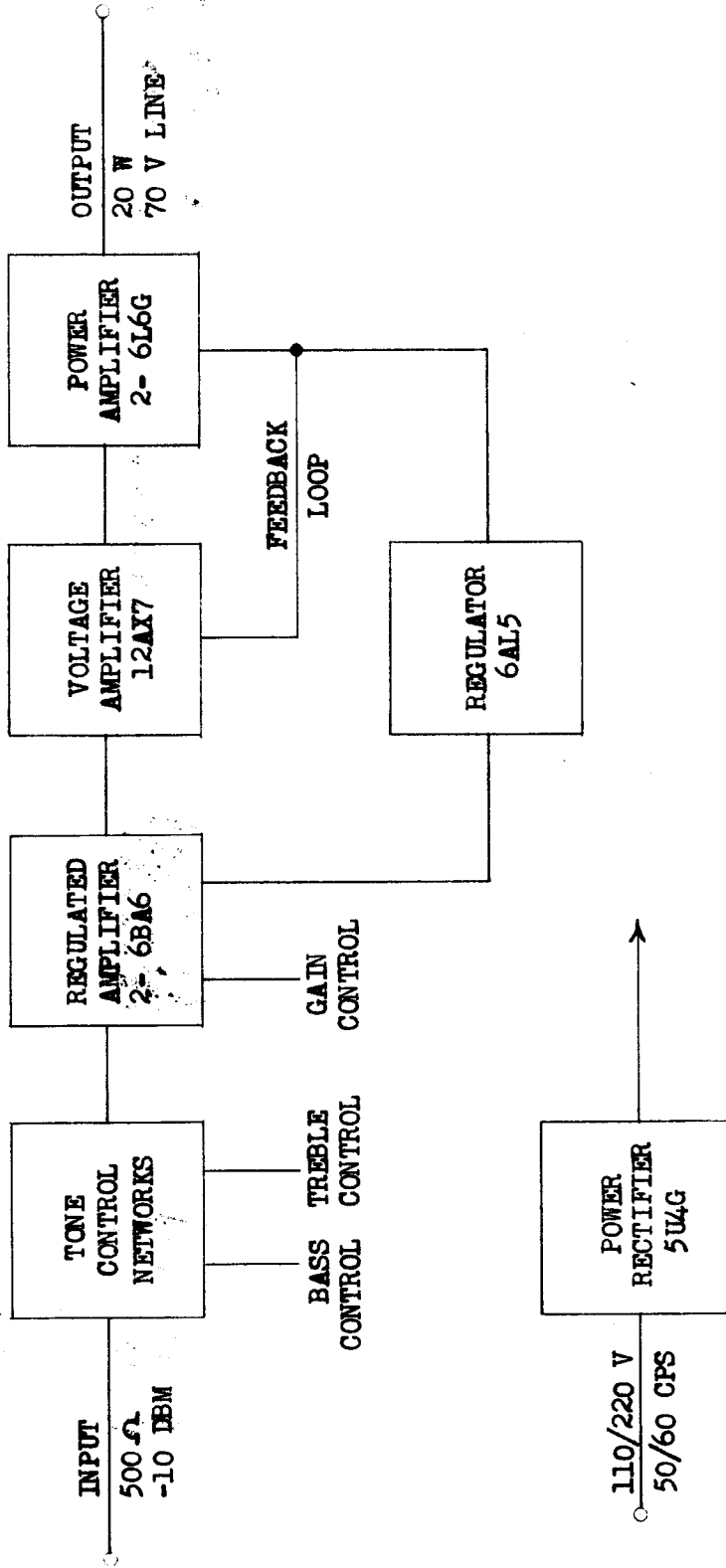
USED ON

PROJECT NO. ASS'Y. NO. DATE

10028 16-6-54

MODEL

CN/SIH601  
CN/SIH602



REQ. ITEM	PART NO.	DESCRIPTION	SYMBOL
		TMC (Canada) LIMITED OTTAWA	
		BLOCK DIAGRAM	
		AUDIO AMPLIFIER PAA-1	
		J.W.T.	
		DRAWN	ELEC. DES. APP. MECH. DES. APP.
		CHECKED	
		HEAT TREAT. SPEC.	FINAL APPROVAL
		FINISH & SPEC. NO.	CK-10023

ISSUE ITEM	CHANGED FROM	DATE	CN. NO.	DRAFTS	CHECKER	ENG. APP.
TOLERANCES						
SCALE						
DRILL, PUNCH, COMMERCIAL STOCK SIZES AND MANUFACTURERS TOLERANCES ARE NOT INCLUDED.						
ALL OTHERS	DEC. DIM. ±	FRAC. DIM. ±	ANGULAR DIM. ±			

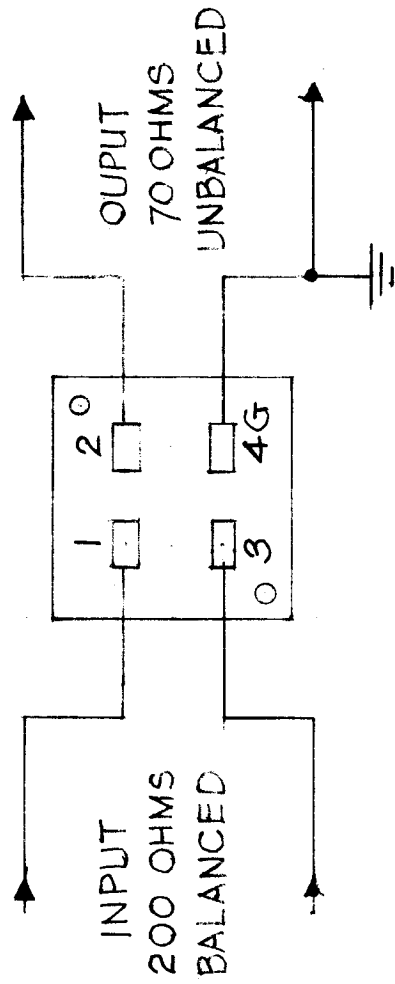
IF IT IS FOUND DESIRABLE TO CHANGE ANY TOLERANCE OR OTHER DETAIL SPECIFIED ON THIS DRAWING NOTIFY THE PURCHASER PROMPTLY.

MAXIMUM ALLOWABLE TOLERANCES HAVE BEEN DETERMINED AND DEVIATIONS WILL BE CAUSE FOR REJECTION. REMOVE ALL BURRS AND SHARP EDGES

CK-10032

USED ON

MODEL PROJECT NO. ASSY. NO. DATE



NOTICE TO PERSONS RECEIVING THIS DRAWING

THE TECHNICAL MATERIEL CORPORATION claims proprietary right in the material disclosed hereon. This drawing is issued in confidence for engineering information only and may not be reproduced or used to manufacture anything shown hereon without permission from THE TECHNICAL MATERIEL CORPORATION to the user. This drawing is loaned for mutual assistance and is subject to recall at any time.

Property of:

THE TECHNICAL MATERIEL CORPORATION  
MAMARONECK, NEW YORK

REQ. ITEM	PART NO.	DESCRIPTION	SYMBOL
		TMC (Canada) LIMITED OTTAWA	
STOCK SIZE		R.F. TRANSFORMER 2/30 mc/s	
MATERIAL	WEIGHT PER PC.	SERIES TR052	
TYPE & TEMPER.		JRH.	
HEAT TREAT. SPEC.		ELEC. DES. APP. <i>Ball</i>	MECH. DES. APP.
FINISH & SPEC. NO.		CHECKED	FINAL APPROVAL
			CK-10032

ISSUE ITEM	CHANGED FROM	DATE	CN. NO.	DRAFTS	CHECKER	ENG. APP.
TOLERANCES						
DEC. DIM. ±						
FRAC. DIM. ±						
ANGULAR DIM. ±						
ALL OTHERS						
DRILL, PUNCH, COMMERCIAL STOCK SIZES AND MANUFACTURERS TOLERANCES ARE NOT INCLUDED.						

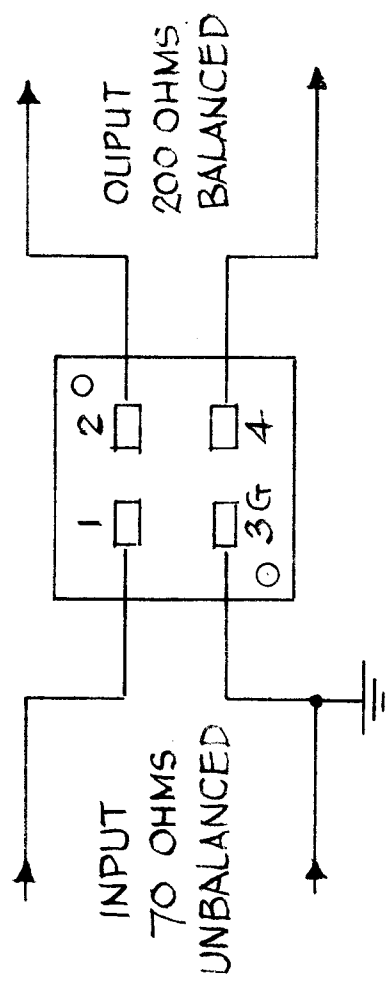
IF IT IS FOUND DESIRABLE TO CHANGE ANY TOLERANCE OR OTHER DETAIL SPECIFIED ON THIS DRAWING NOTIFY THE PURCHASER PROMPTLY.

MAXIMUM ALLOWABLE TOLERANCES HAVE BEEN DETERMINED AND DEVIATIONS WILL BE CAUSE FOR REJECTION. REMOVE ALL BURRS AND SHARP EDGES

CK-10033

USED ON  
MODEL PROJECT NO. ASSY. NO. DATE

16/8/54



NOTICE TO PERSONS RECEIVING THIS DRAWING

THE TECHNICAL MATERIEL CORPORATION claims proprietary right in the material disclosed hereon. This drawing is issued in confidence for engineering information only and may not be reproduced or used to manufacture anything shown hereon without permission from THE TECHNICAL MATERIEL CORPORATION to the user. This drawing is loaned for mutual assistance and is subject to recall at any time.

Property of:

THE TECHNICAL MATERIEL CORPORATION  
MAMARONECK, NEW YORK

REQ. ITEM	PART NO.	DESCRIPTION	SYMBOL
		TMC (Canada) LIMITED OTTAWA	
		R.F. TRANSFORMER 2/30mc/s	
		SERIES TR 053	
		IRH	
		DRAWN	ELEC. DES. APP. MECH. DES. APP.
		CHECKED	FINAL APPROVAL
			CK-10033

ISSUE ITEM	CHANGED FROM	DATE	CN. NO.	DRAFTS	CHECKER	ENG. APP.
TOLERANCES						
SCALE						
DEC. DIM. ±						
FRAC. DIM. ±						
ANGULAR DIM. ±						
DRILL, PUNCH, COMMERCIAL STOCK SIZES AND MANUFACTURERS TOLERANCES ARE NOT INCLUDED.						

---

---

# ANTENNA MULTICOUPLER

## AMC-6A

---

---

The Antenna Multicoupler AMC-6A is designed to provide for receiving antennae having a balanced output impedance of approximately two hundred ohms. The antenna input jack (J107) of this Multicoupler is the twin r - ceptacle type UG-103/U fitted with twin plug type UG-102/U. Twin coaxial cable connects this jack to transformer T107 (TMC number TR-052) which is a balanced transformer of two hundred ohms input impedance. Otherwise the AMC-6A is identical with Antenna Multicoupler AMC-6B.

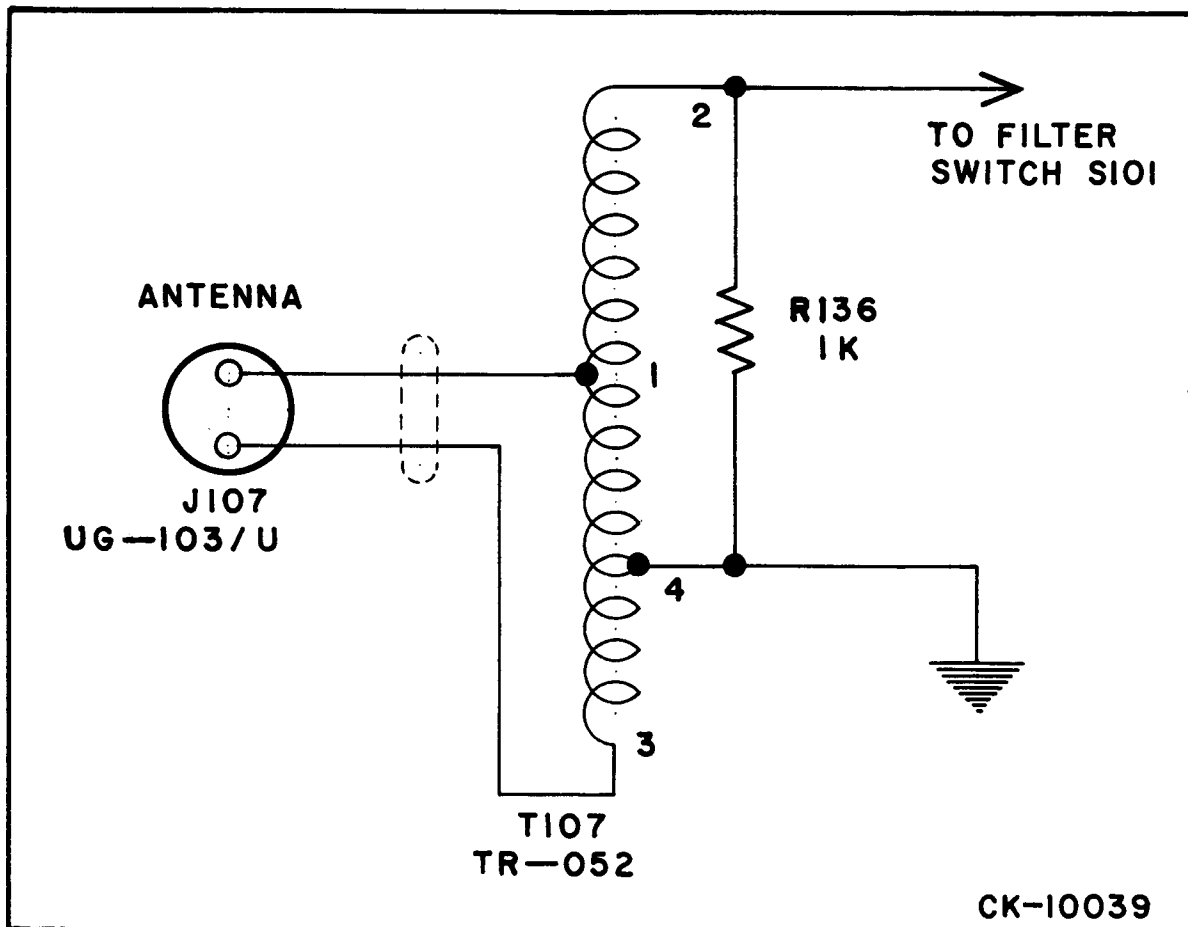


Figure A-1. Antenna Circuit AMC-6A

CK-10040

USED ON

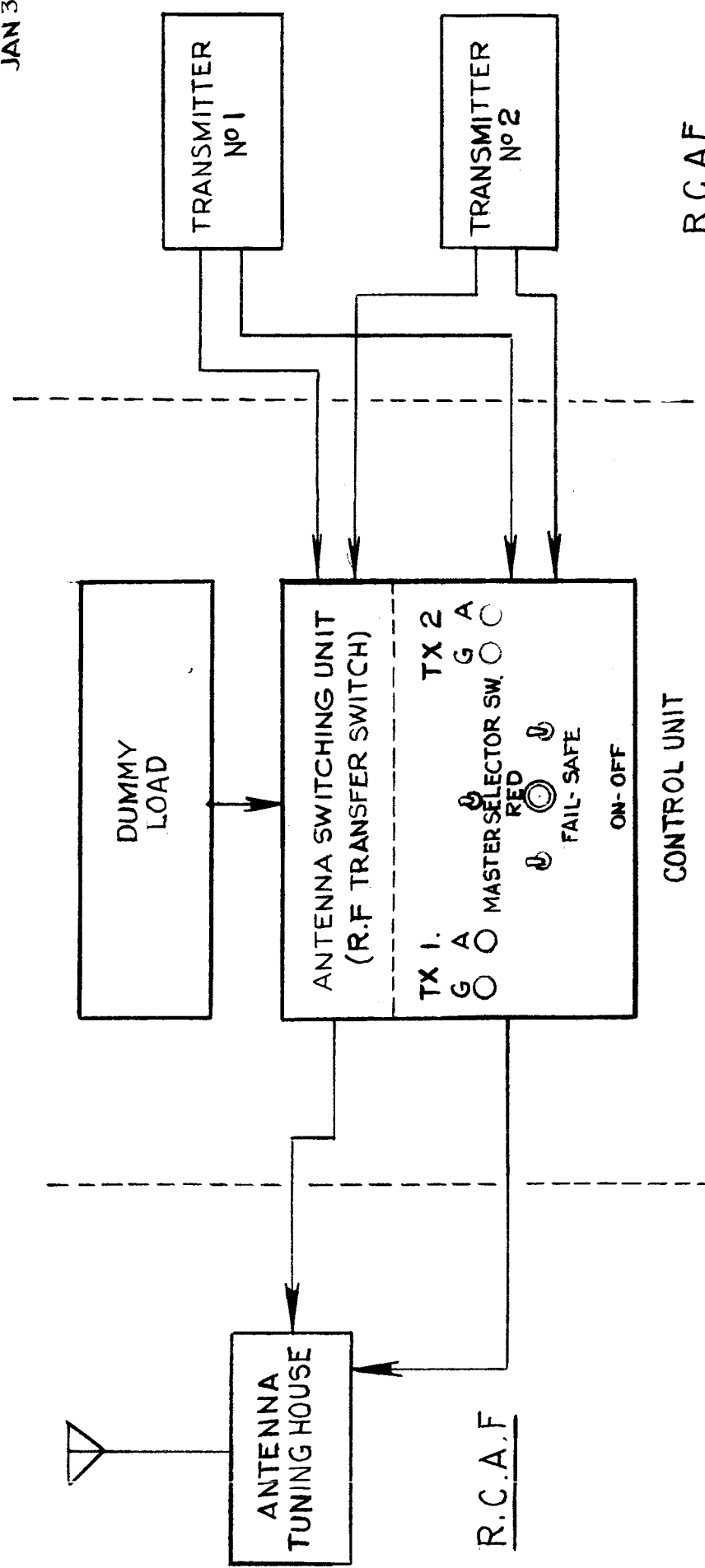
IF IT IS FOUND DESIRABLE TO CHANGE ANY TOLERANCE OR OTHER DETAIL SPECIFIED ON THIS DRAWING NOTIFY THE PURCHASER PROMPTLY.

MODEL PROJECT NO. ASSY. NO. DATE

MAXIMUM ALLOWABLE TOLERANCES HAVE BEEN DETERMINED AND DEVIATIONS WILL BE CAUSE FOR REJECTION. REMOVE ALL BURRS AND SHARP EDGES

ANTENNA TUNING HOUSE

JAN 31<sup>ST</sup> 55



R.C.A.F

REQ. ITEM	PART NO.	DESCRIPTION	SYMBOL
		TMC (Canada) LIMITED OTTAWA	
		PROPOSAL	
		LF/MF BEACON TRANSMITTER CHANGE OVER ASSEMBLY	
		E.W. B.G.	
		DRAWN	ELEC. DES. APP.
		CHECKED	MECH. DES. APP.
		HEAT TREAT. SPEC.	FINAL APPROVAL
		FINISH & SPEC. NO.	CK-10040

ISSUE ITEM	CHANGED FROM	DATE	CN. NO.	DRAFTS CHECKER	ENG. APP.
TOLERANCES					
ALL					
OTHERS					

SCALE	DRILL, PUNCH, COMMERCIAL STOCK SIZES AND MANUFACTURERS TOLERANCES ARE NOT INCLUDED.

IF IT IS FOUND DESIRABLE TO CHANGE ANY TOLERANCE OR OTHER DETAIL SPECIFIED ON THIS DRAWING NOTIFY THE PURCHASER PROMPTLY.

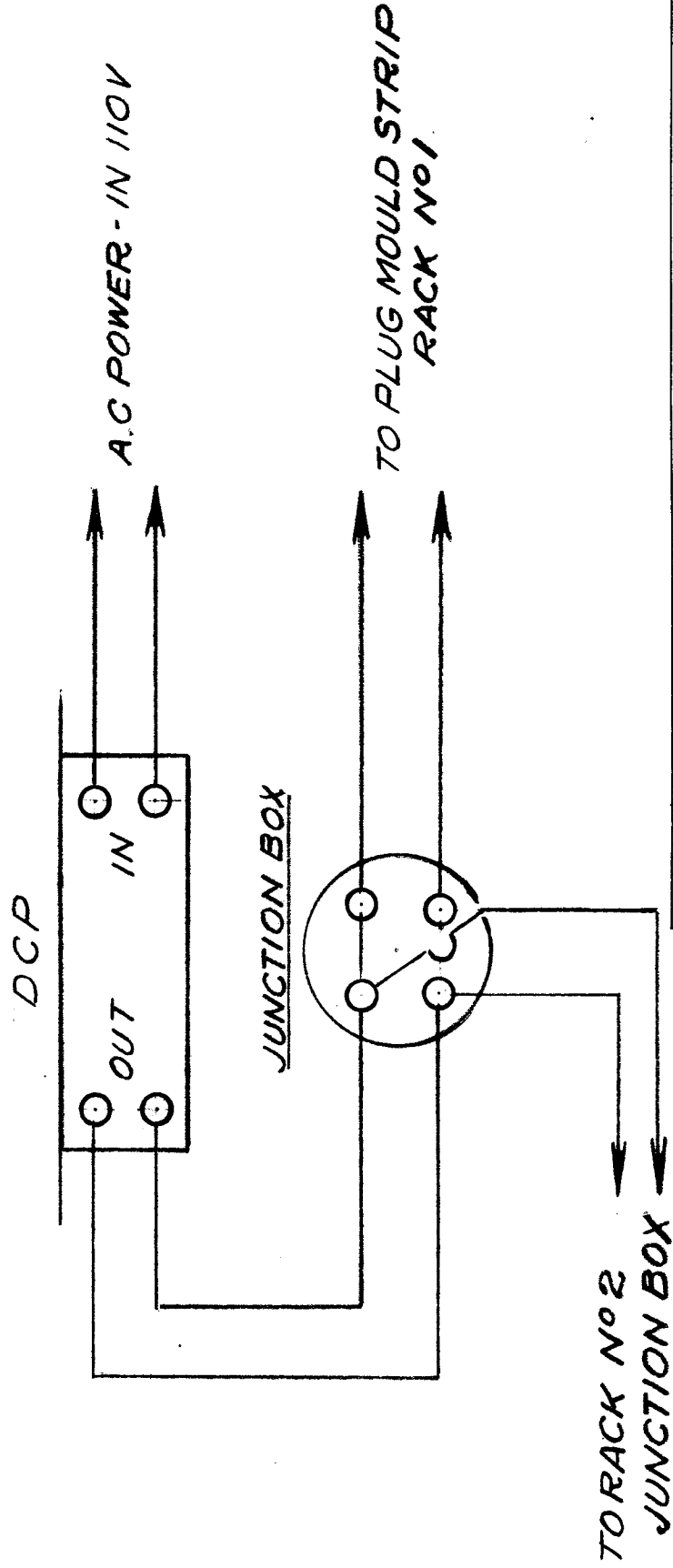
MAXIMUM ALLOWABLE TOLERANCES HAVE BEEN DETERMINED AND DEVIATIONS WILL BE CAUSE FOR REJECTION. REMOVE ALL BURRS AND SHARP EDGES

CK-10041

USED ON

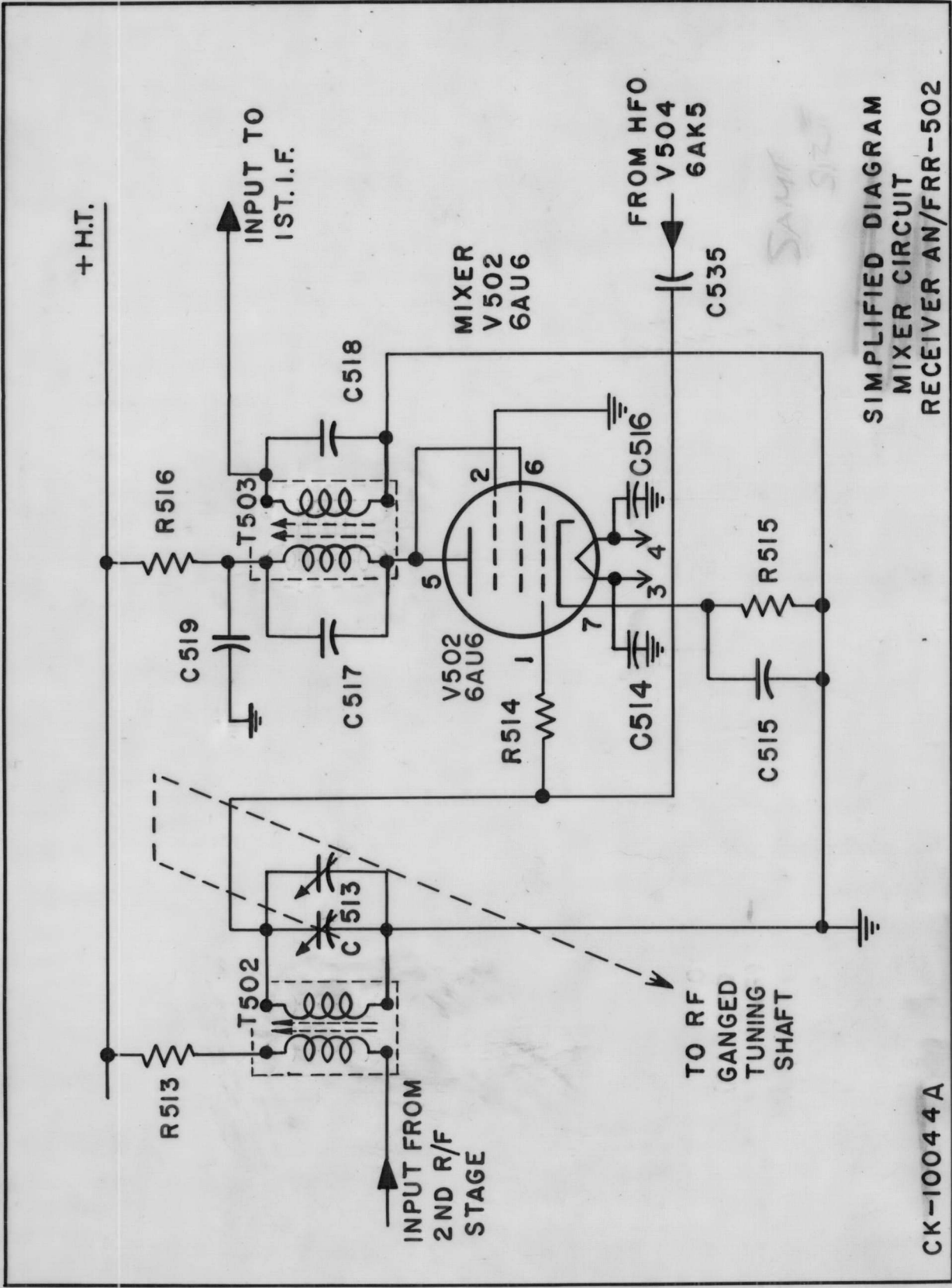
MODEL PROJECT NO. ASSY. NO. DATE

FEB 2<sup>ND</sup> 55



REQ. ITEM	PART NO.	DESCRIPTION	SYMBOL
		TMC (Canada) LIMITED OTTAWA	
		S.R.E RACK	
		POWER CONNECTIONS	
		EWBG	
		DRAWN	ELEC. DES. APP. MECH. DES. APP.
			FINAL APPROVAL
		CHECKED	
		HEAT TREAT. SPEC.	
		FINISH & SPEC. NO.	CK-10041
ISSUE ITEM	CHANGED FROM	DATE	CN. NO. DRAFTS CHECKER ENG. APP.
TOLERANCES			
SCALE			
DRILL, PUNCH, COMMERCIAL STOCK SIZES AND MANUFACTURERS TOLERANCES ARE NOT INCLUDED.			
ALL OTHERS	DEC. DIM. ±	FRAC. DIM. ±	ANGULAR DIM. ±

CK10044A



SIMPLIFIED DIAGRAM  
MIXER CIRCUIT  
RECEIVER AN/FRR-502

CK-10044A

CHECKED  
APPROVED

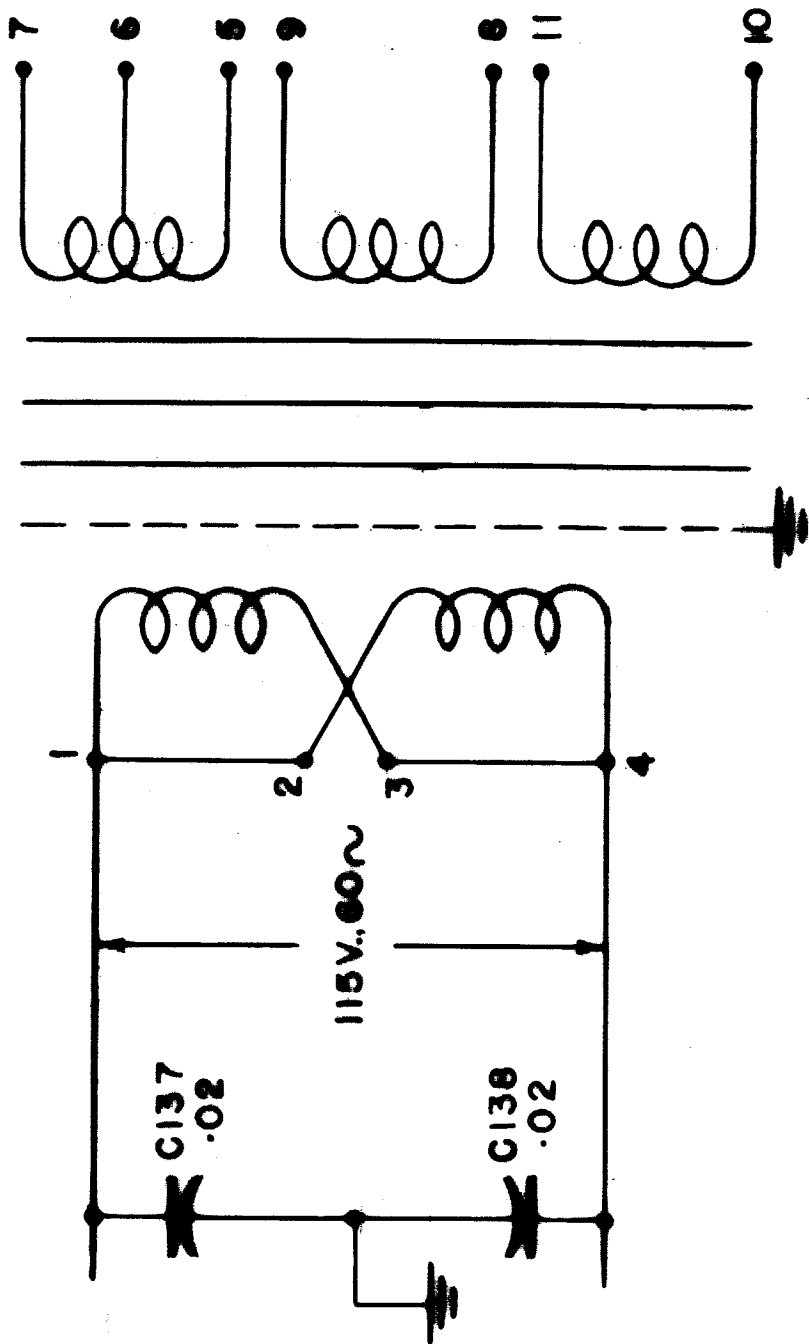
DATE: JULY 6, 1955.

FIG. 2-3

CK10044A



T 110

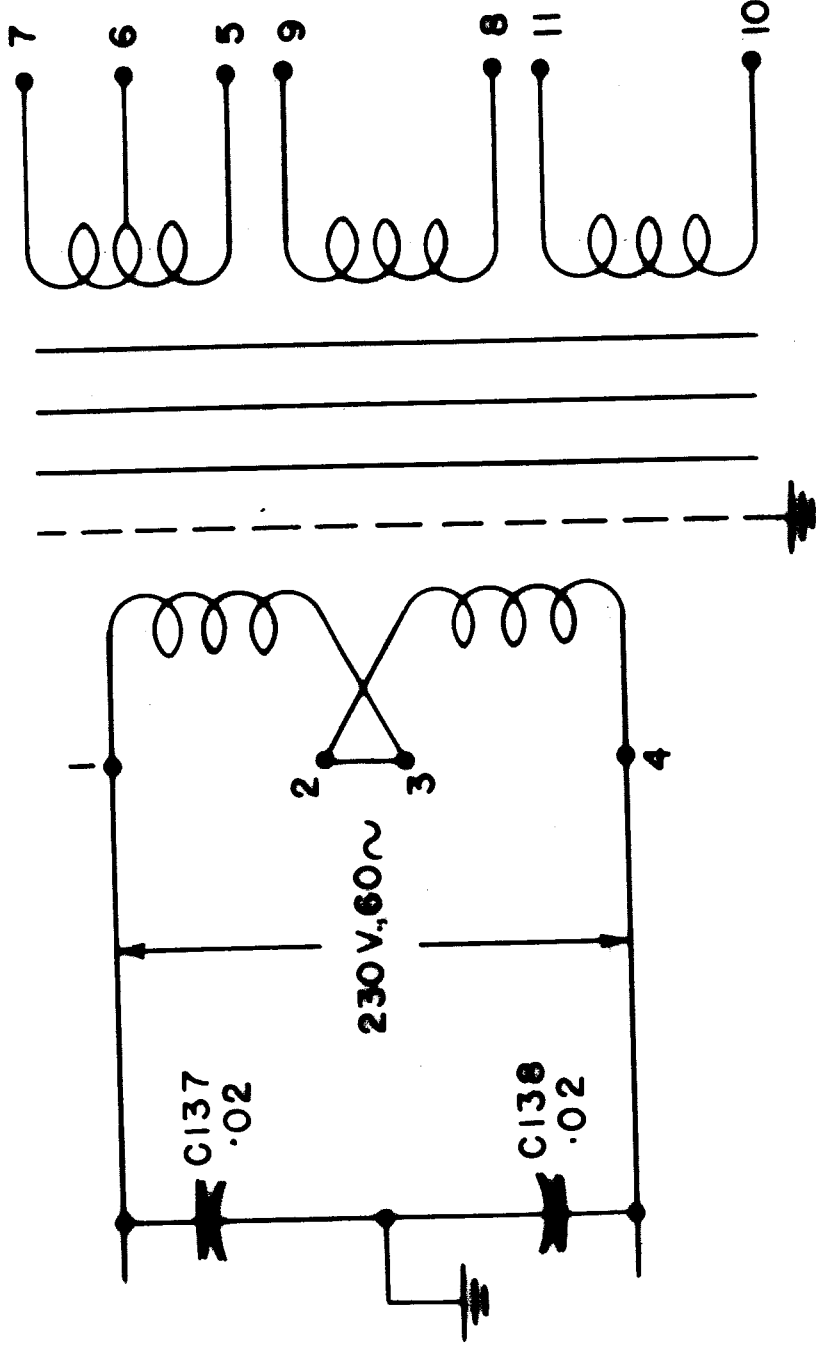


~~CONDITIONS FOR 115V. 60.0 HZ OPERATION.~~

CK 10067

. 805

T110



CONNECTIONS FOR 230V., 60 CY. OPERATION.

CK-10067

5"

FIGURE 3-1

CK10067

N123

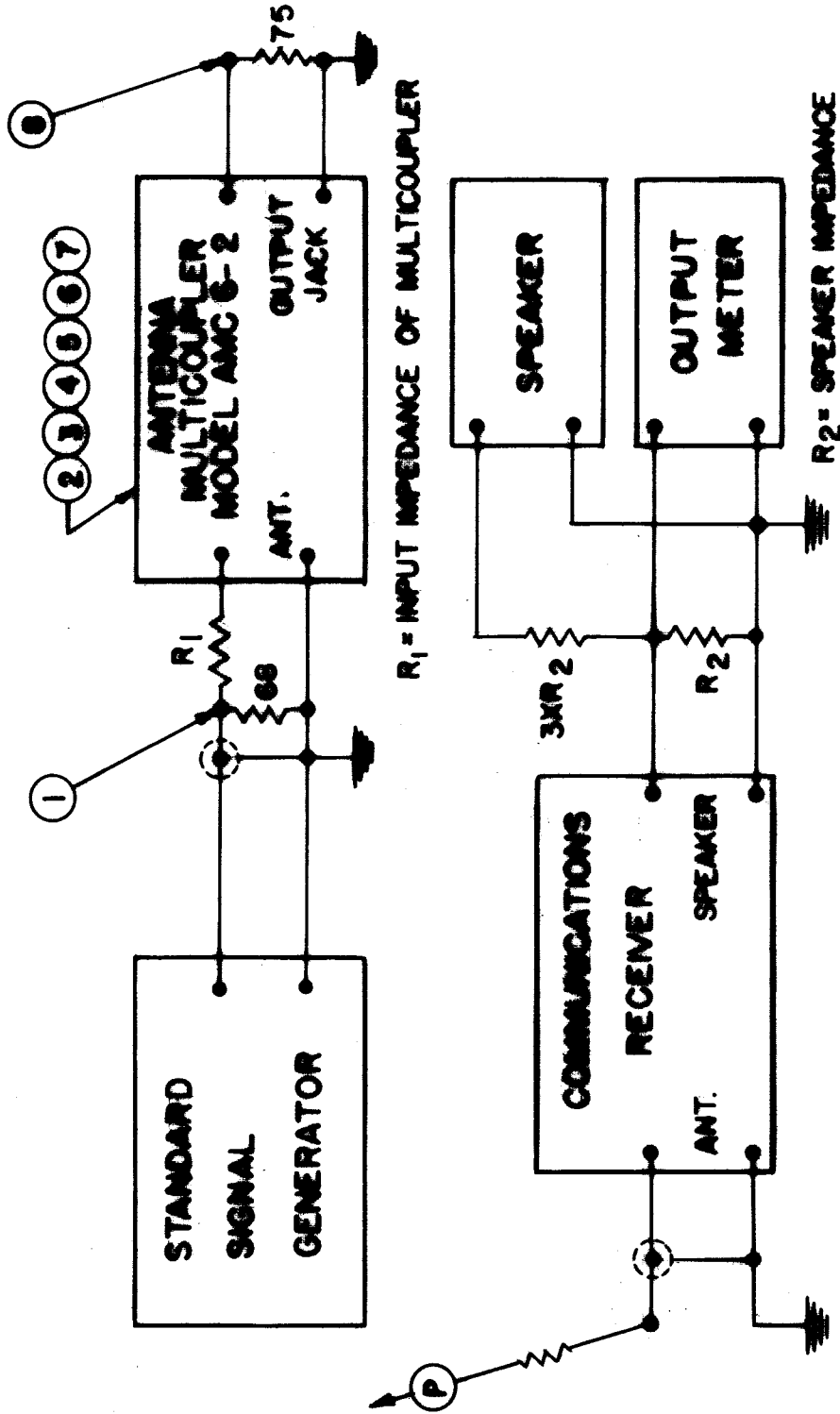


fig. 3-1 TEST SET UP FOR GAIN MEASUREMENTS

805 6/5/16

10068-1

4. 201

