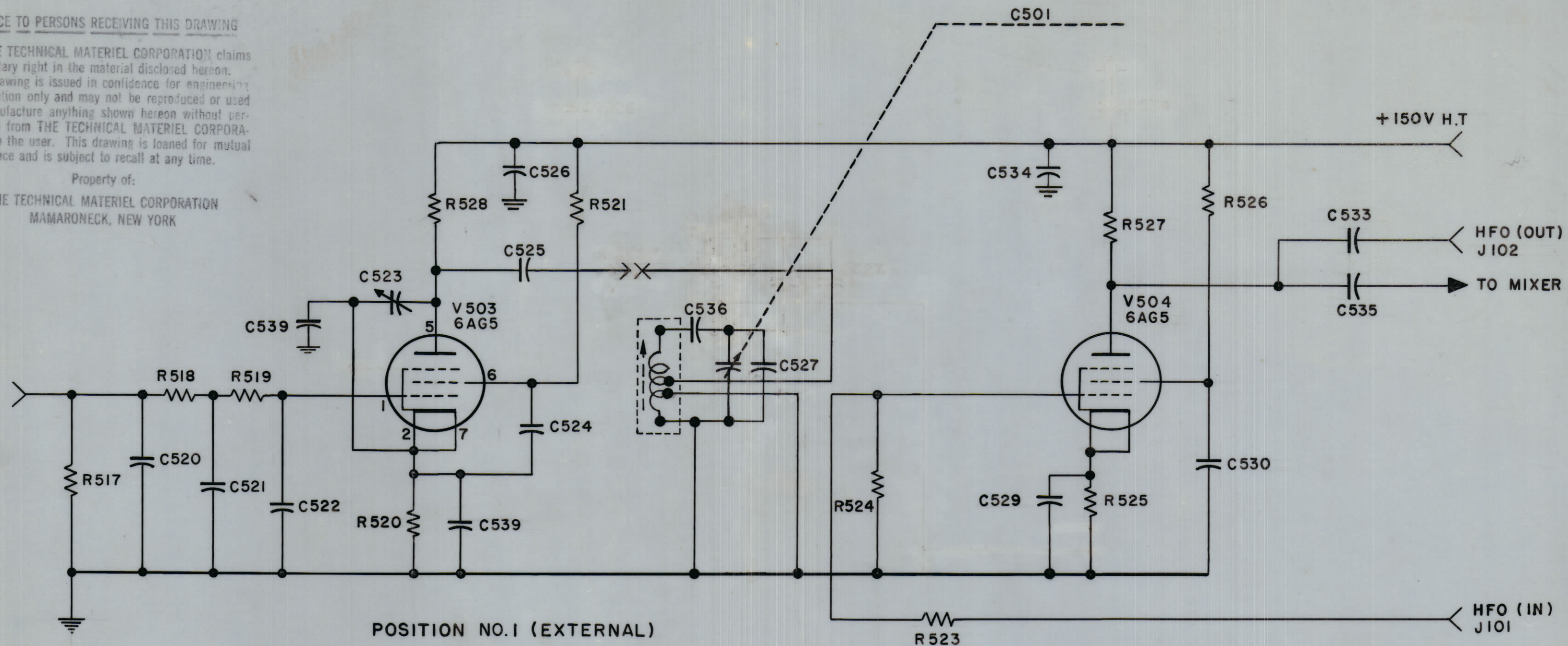


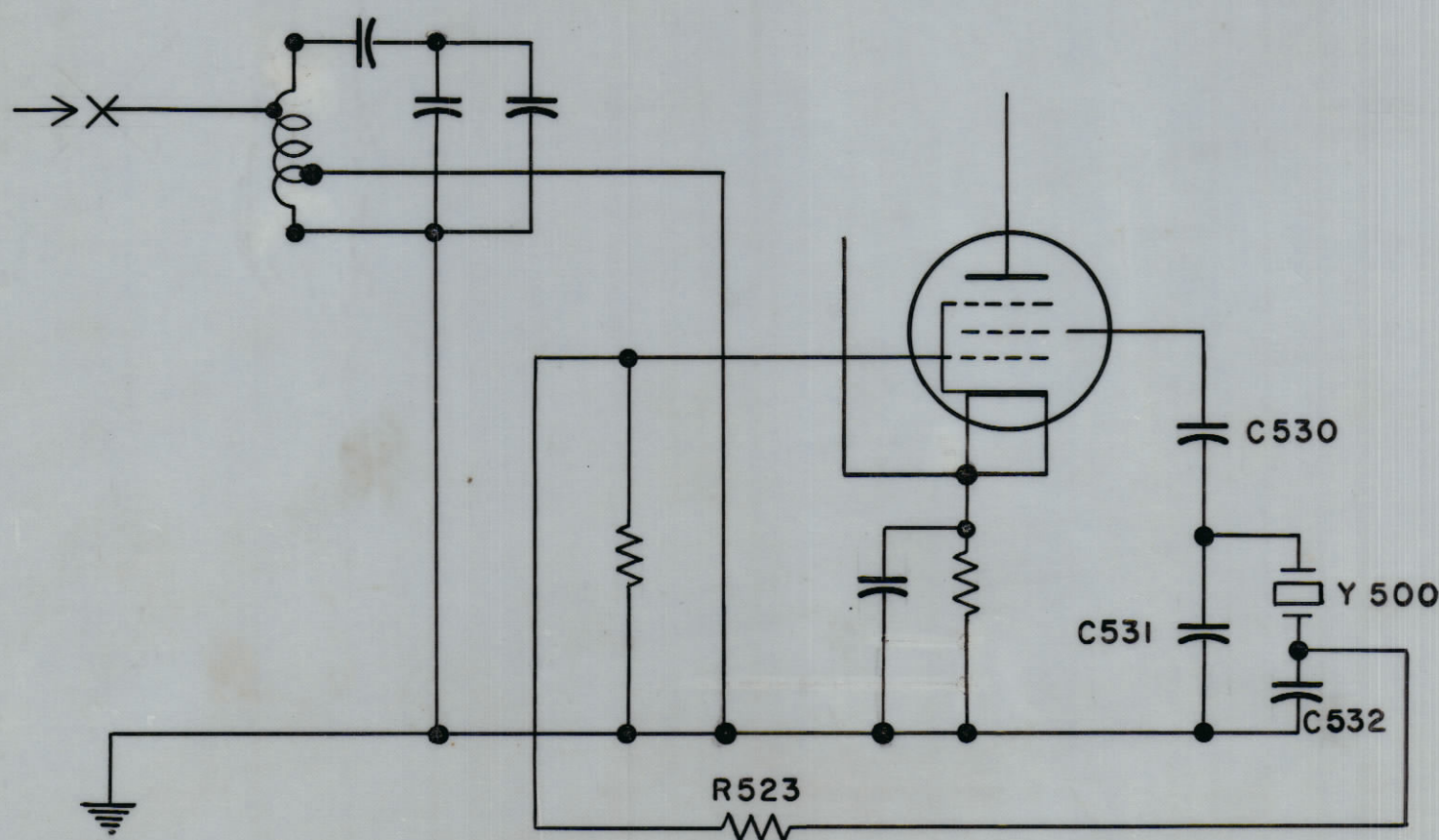
NOTICE TO PERSONS RECEIVING THIS DRAWING

THE TECHNICAL MATERIEL CORPORATION claims proprietary right in the material disclosed hereon. This drawing is issued in confidence for engineering information only and may not be reproduced or used to manufacture anything shown hereon without permission from THE TECHNICAL MATERIEL CORPORATION to the user. This drawing is loaned for mutual assistance and is subject to recall at any time.

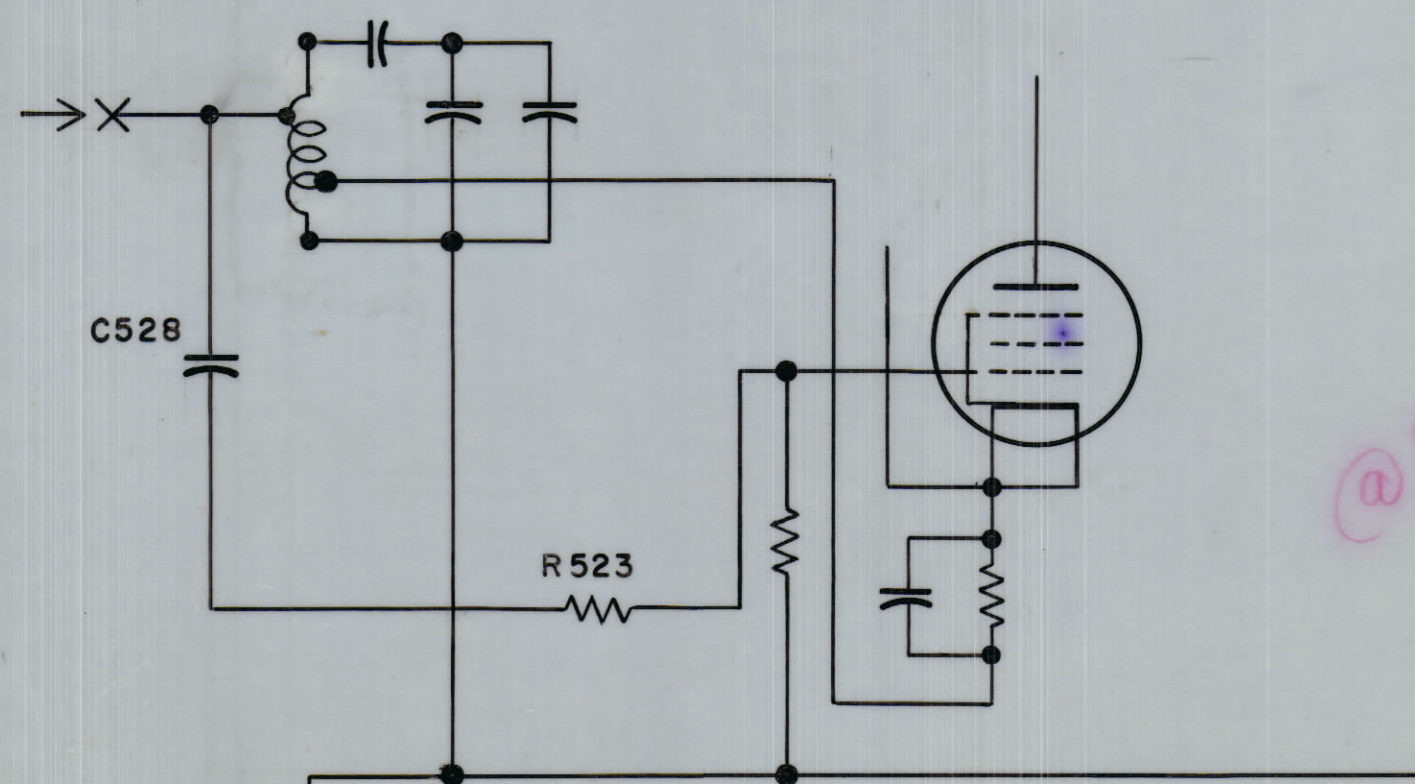
Property of:
THE TECHNICAL MATERIEL CORPORATION
MAMARONECK, NEW YORK



POSITION NO.1 (EXTERNAL)



POSITION NO.2 (XTAL)



POSITION NO.3 (H.F.O)

@55

SIMPLIFIED DIAGRAM
HFO & HFO REACTANCE MODULATOR CT.
RECEIVER AN/FRR-502

CK-10045A

CHECKED: *[Signature]*
APPROVED: *[Signature]*
DATE: JULY 8, 1955.

FIG. 2-4

CK10045A