
ANTENNA MULTICOUPLER AMC-6A

The Antenna Multicoupler AMC-6A is designed to provide for receiving antennae having a balanced output impedance of approximately two hundred ohms. The antenna input jack (J107) of this Multicoupler is the twin r - ceptacle type UG-103/U fitted with twin plug type UG-102/U. Twin coaxial cable connects this jack to transformer T107 (TMC number TR-052) which is a balanced transformer of two hundred ohms input impedance. Otherwise the AMC-6A is identical with Antenna Multicoupler AMC-6B.

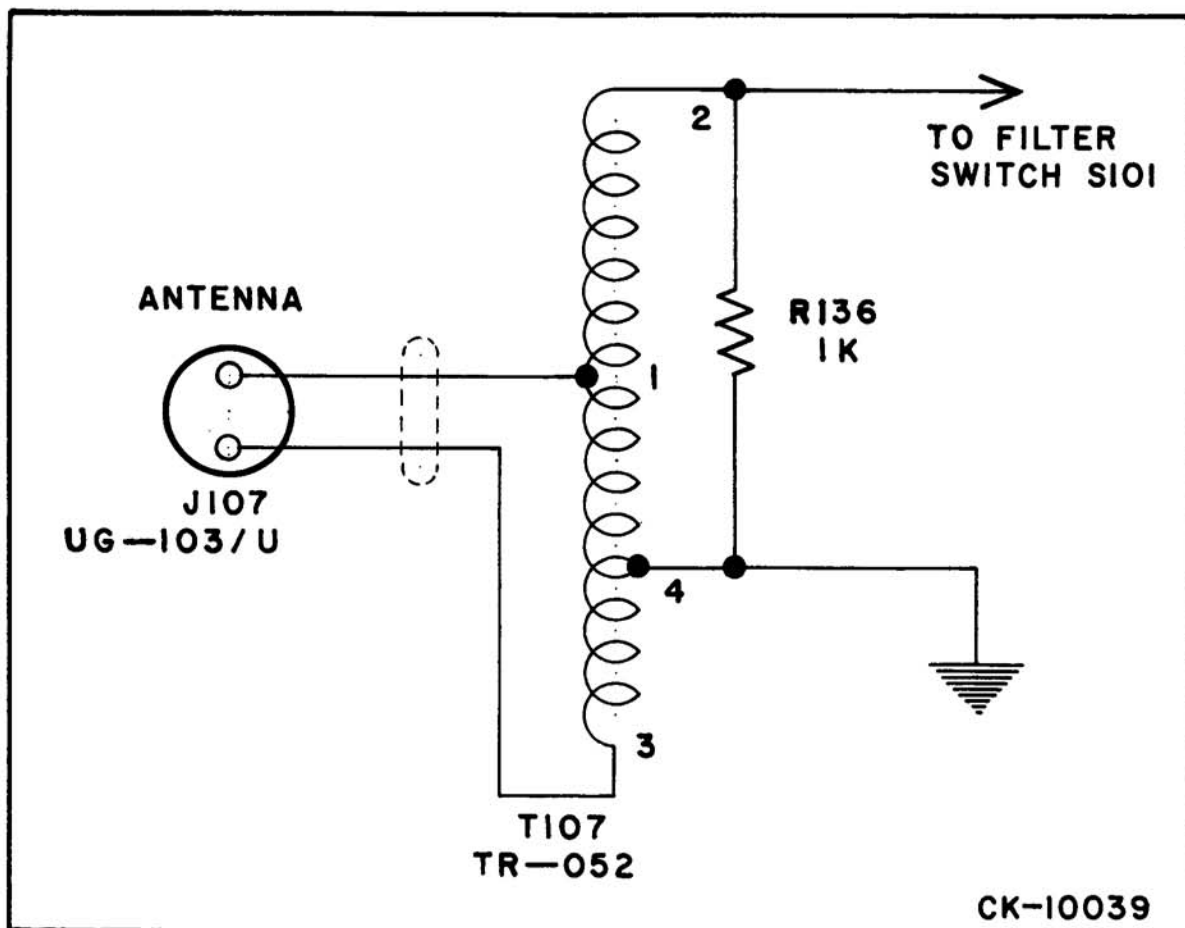


Figure A-1. Antenna Circuit AMC-6A