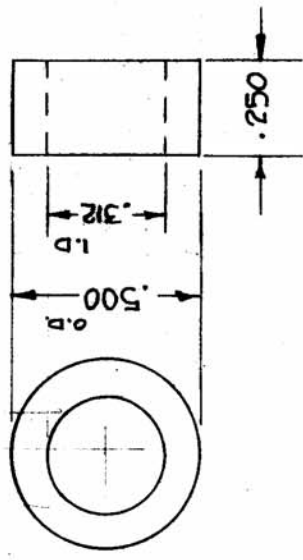


| | | | |
|-----|--------|----------|----------|
| REV | DATE | BY | APP |
| 2 | 5-8-57 | W. J. W. | 6-24-57 |
| 1 | 5-8-57 | W. J. W. | 4-30-57 |
| 3 | 5-8-57 | W. J. W. | 11-30-57 |

CI-115

A



OBSOLETE
 REPLACED BY CI 127-7

COLOR CODE: GREEN
 A-S 401-118 (204 F 250-3)
 B-S 401-213 (CF108-H)

| REQ. ITEM | PART NO. | DESCRIPTION | SYMBOL |
|-----------|----------|--|------------|
| | | THE TECHNICAL MATERIEL COMP. MAMARONECK, NEW YORK | |
| | | CORE TOROIDAL | |
| | | RING TYPE | |
| | | SC. 6-24-57 | A J. J. |
| | | DRAWN | PHIL. APP. |
| | | CHECKED | |
| | | TYPE & TEMPER HEAT TREAT. SPEC. | |
| | | TUMBLER | |
| | | FINISH & SPEC. NO. | CI-115 |
| | | ELUC. DES. APP. MECH. DES. APP. | |

5/18/70 18853 L. J. W. OP. P. W.
 4-24-57 18890 W. J. W. F. B. J. W.
 DATE CH. NO. DRAFTS CHECKER ENG. APP.
 SCALE:
 MAXIMUM ALLOWABLE TOLERANCES HAVE BEEN DETERMINED AND ANY DEVIATIONS WILL BE CAUSE FOR REJECTION.
 REMOVE ALL BURRS AND SHARP EDGES