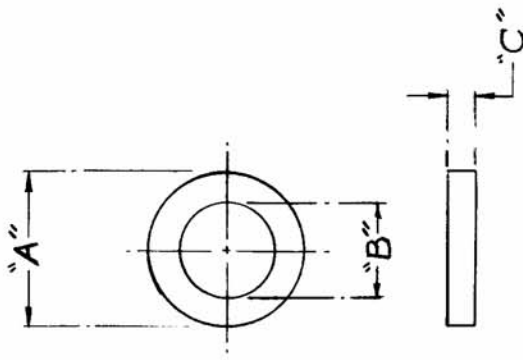


ISSUE	ITEM	CHANGED FROM	DATE	CM NO.	DRAFTS	CHECKER	ENG. APP.	REQ	ITEM	PART NO.	DESCRIPTION	SYMBOL
0		PROD RELEASE	12 MAR 73		C.C.							



TMC PART NO.	MANUFACTURER'S PART NO.	A	B	C
CI 10015-1	CF-118	.080	.050	.025
CI 10015-2	CF-119	.100	.070	.030
CI 10015-3	CF-120	.155	.088	.051
CI 10015-4	CF-101	.230	.120	.060
CI 10015-5	CF-121	.300	.125	.188
CI 10015-6	CF-102	.375	.187	.125
CI 10015-7	CF-108	.500	.312	.250
CI 10015-8	CF-111	.870	.540	.250
CI 10015-9	CF-122	1.000	.500	.250
CI 10015-10	CF-114	1.250	.750	.375
CI 10015-11	CF-117	1.875	1.375	.375
CI 10015-12	CF-123	2.400	1.400	.500
CI 10015-13	CF-124	3.500	2.000	.500
CI 10015-14	CF-125	5.810	2.500	.625

MANUFACTURER: INDIANA GENERAL

STANDARD	PROJECT NO.	DATE	12 MAR 73
MODEL	ASSY. NO.		
USED ON			
MAXIMUM ALLOWABLE TOLERANCES HAVE BEEN DETERMINED AND DEVIATIONS WILL BE CAUSE FOR REJECTION REMOVE ALL BURRS AND SHARP EDGES		IF IT IS FOUND DESIRABLE TO CHANGE ANY TOLERANCE OR OTHER DETAIL SPECIFIED ON THIS DRAWING NOTIFY THE PURCHASER PROMPTLY.	
TOLERANCES DEC DIM. ± .X = .05 FRAC. DIM. ± 1/64 ANGULAR DIM. ± 0'30"			
SCALE DIMENSIONS IN INCHES UNLESS OTHERWISE SPECIFIED DRILL: PUNCH, COMMERCIAL STOCK SIZES AND MANUFACTURERS TOLERANCES ARE NOT INCLUDED.			
ALL OTHERS	TOLERANCES DEC DIM. ± .X = .05 FRAC. DIM. ± 1/64 ANGULAR DIM. ± 0'30"	STOCK SIZE MATERIAL TYPE & TEMPER HEAT TREAT. SPEC FINISH & SPEC. NO.	TMC (Canada) LIMITED OTTAWA TORCID C. CHARLES DRAWN CHECKED ELEC. DES. APP. MECH. DES. APP. FINAL APPROVAL CI 10015