

IF IT IS FOUND DESIRABLE TO CHANGE ANY TOLERANCE OR OTHER DETAIL SPECIFIED ON THIS DRAWING NOTIFY THE PURCHASER PROMPTLY.

DIMENSIONS IN INCHES UNLESS OTHERWISE SPECIFIED

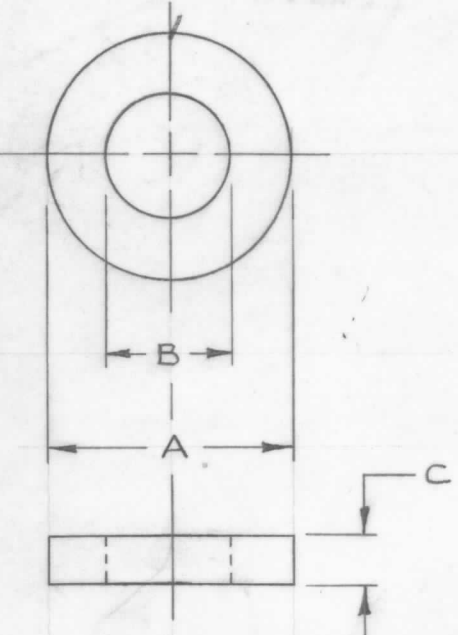
MAXIMUM ALLOWABLE TOLERANCES HAVE BEEN DETERMINED AND DEVIATIONS WILL BE CAUSE FOR REJECTION. REMOVE ALL BURRS AND SHARP EDGES.

ISSUE	ITEM	CHANGED FROM	DATE	CN. NO.	DRAFTS	CHECKER	ENG. APP.
Ø		REL. TO PROD	JUNE 12/67		RPL		<i>WA</i>
A		COLOUR CODE ADDED	27/6/67	259	AP	<i>WA</i>	<i>WA</i>
B		REV. AS PER CEMN	AUG 7/68	383	RPL		<i>WA</i>

REQ.	ITEM	PART NO.	DESCRIPTION	STOCK

CI10011 B

COLOUR CODE															
VIOLET	BLACK	VIOLET	WHITE	GREEN	RED	BLUE	YELLOW	YELLOW	BLUE	BROWN	PINK	BROWN	ORANGE	YELLOW	WHITE



TMC PART NO.	MFR. PART NO.	DIMENSIONS			MAGNETIC PATH LENGTH (INCHES)	CROSS SECTIONAL AREA (Sq. INCHES)	AVAILABLE FERRAMIC MATERIALS									
		A	B	C			0-6	0-5	H	Q-1	Q-2	Q-3	TC7	TC4	C-2	
CI10011-1	CF-108	.500	.312	.250	1.270	.0235	X		X	X	X					X
CI10011-2	CF-111	.870	.540	.250	2.210	.0413	X		X	X	X	X	X	X	X	X
CI10011-3	CF102	.375	.187	.125	.882	.0118	X		X	X	X	X	X	X	X	X

EXAMPLE

CI10011-1-Q1

TMC PART NO. CORE SIZE MATERIAL (SEE NOTE)

NOTE: COLOUR CODE TOROIDS PER TMC SPEC. 600

MFR. # S 401-213

TOLERANCES

- (1) A, B ±.005 OR ±2% WHICHEVER IS GREATER; THICKNESS ±.010
- (2) A, B ±2%; THICKNESS ±.030

MATERIALS

REF: MFR.'S INDIVIDUAL ENGINEERING DATA SHEETS

STANDARD DRAWING

STOCK SIZE		TMC (Canada) LIMITED OTTAWA ONTARIO	
MATERIAL			
TYPE & TEMPER		RPL	<i>WA</i>
HEAT TREAT. SPEC.		DRAWN	ELEC. DES. APP.
FINISH & SPEC. NO.		MECH. DES. APP.	FINAL APPROVAL
		CHECKED	
			CI10011 B

TOLERANCES	SCALE: NTS
ALL OTHERS	DRILL, PUNCH, COMMERCIAL STOCK SIZES AND MANUFACTURERS TOLERANCES ARE NOT INCLUDED.

MODEL	PROJECT NO.	ASS'Y. NO.	DATE
			MAY 12/67

USED ON

IF IT IS FOUND DESIRABLE TO CHANGE ANY TOLERANCE OR OTHER DETAIL SPECIFIED ON THIS DRAWING NOTIFY THE PURCHASER PROMPTLY.

DIMENSIONS IN INCHES UNLESS OTHERWISE SPECIFIED

MAXIMUM ALLOWABLE TOLERANCES HAVE BEEN DETERMINED AND DEVIATIONS WILL BE CAUSE FOR REJECTION. REMOVE ALL BURRS AND SHARP EDGES.

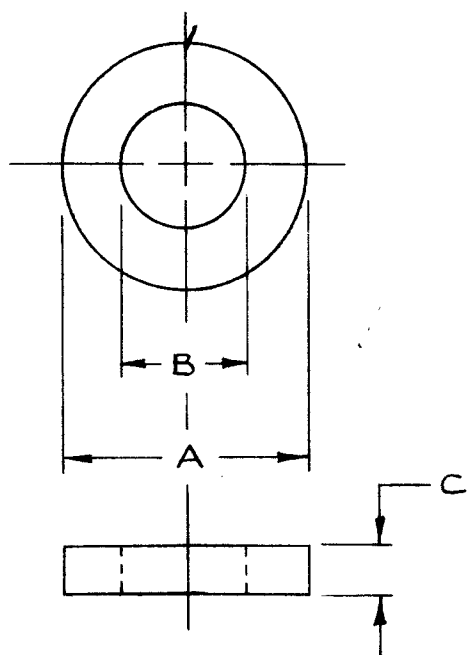
ISSUE	ITEM	CHANGED FROM	DATE	CN. NO.	DRAFTS	CHECKER	ENG. APP.
Ø		REL. TO PROD	JUNE 12/67		RPL		
A		COLOUR CODE ADDED	27/6/67	259	AP		
B		REV. AS PER CEMN	AUG 7/68	383	RPL		

REQ.	ITEM	PART NO.	DESCRIPTION
------	------	----------	-------------

CI10011 B

COLOUR CODE															
VIOLET	BLACK	VIOLET	WHITE	GREEN	RED	BLUE	YELLOW	YELLOW	BLUE	BROWN	PINK	BROWN	ORANGE	YELLOW	WHITE

TMC PART NO.	MFR. PART NO.	DIMENSIONS			MAGNETIC PATH LENGTH (INCHES)	CROSS SECTIONAL AREA (Sq. INCHES)	AVAILABLE FERRAMIC MATERIALS								
		A	B	C			0-6	0-5	H	Q-1	Q-2	Q-3	TC7	TC4	C-2
CI10011-1	CF-108	.500	.312	.250	1.270	.0235	X		X	X	X				X
CI10011-2	CF-III	.870	.540	.250	2.210	.0413	X		X	X	X	X	X	X	X
CI10011-3	CF102	.375	.187	.125	.882	.0118	X		X	X	X	X	X	X	X



EXAMPLE

CI10011-1-Q1

TMC PART NO. CORE SIZE MATERIAL (SEE NOTE)

NOTE: COLOUR CODE TOROIDS PER TMC SPEC. 6600

MFR. # S 401-213

TOLERANCES

A, B ±.005 OR ±2% WHICHEVER IS GREATER; THICKNESS ±.010

MATERIALS

REF: MFR'S INDIVIDUAL ENGINEERING DATA SHEETS

STANDARD DRAWING

STOCK SIZE		TMC (Canada) LIMITED OTTAWA ONTARIO	
MATERIAL		TOROIDS, FERRAMIC	
WEIGHT PER PC.		RPL	
TYPE & TEMPER		DRAWN	MECH. DES. APP.
HEAT TREAT. SPEC.		CHECKED	FINAL APPROVAL
FINISH & SPEC. NO.		CI10011 B	

TOLERANCES	SCALE: NTS
ALL OTHERS	DRILL, PUNCH, COMMERCIAL STOCK SIZES AND MANUFACTURERS TOLERANCES ARE NOT INCLUDED.

MODEL	PROJECT NO.	ASS'Y. NO.	DATE
			MAY 12/67

USED ON

ISSUE	ITEM	CHANGED FROM	DATE	CM. NO.	DRAFTS	CHECKER	ENG. APP.	REQ.	ITEM	PART NO.	DESCRIPTION	SYMBOL
Ø		PROD RELEASE	27 AUG 70		SB		NA					

AMC-83	074/70	27 AUG 70	
MODEL	PROJECT NO.	ASS'Y. NO.	DATE
USED ON			
MAXIMUM ALLOWABLE TOLERANCES HAVE BEEN DETERMINED AND DEVIATIONS WILL BE CAUSE FOR REJECTION. REMOVE ALL BURRS AND SHARP EDGES		IF IT IS FOUND DESIRABLE TO CHANGE ANY TOLERANCE OR OTHER DETAIL SPECIFIED ON THIS DRAWING NOTIFY THE PURCHASER PROMPTLY.	
TOLERANCES DEC. DIM. $\pm 0/15$ FRAC. DIM. $\pm \frac{1}{64}$ ANGULAR DIM. $\pm 0' 30''$		SCALE 2:1 DIMENSIONS IN INCHES UNLESS OTHERWISE SPECIFIED DRILL: PUNCH, COMMERCIAL STOCK SIZES AND MANUFACTURERS TOLERANCES ARE NOT INCLUDED.	

TMC (Canada) LIMITED OTTAWA	CORE TOROIDAL
STOCK SIZE	WEIGHT PER PC.
MATERIAL	TYPE & TEMPER
DRAWN	ELEC. DES. APP.
CHECKED	MECH. DES. APP.
CI 10011-3-RCA	FINAL APPROVAL