

IF IT IS FOUND DESIRABLE TO CHANGE ANY TOLERANCE OR OTHER DETAIL SPECIFIED ON THIS DRAWING NOTIFY THE PURCHASER PROMPTLY.

MAXIMUM ALLOWABLE TOLERANCES HAVE BEEN DETERMINED AND DEVIATIONS WILL BE CAUSE FOR REJECTION. REMOVE ALL BURRS AND SHARP EDGES

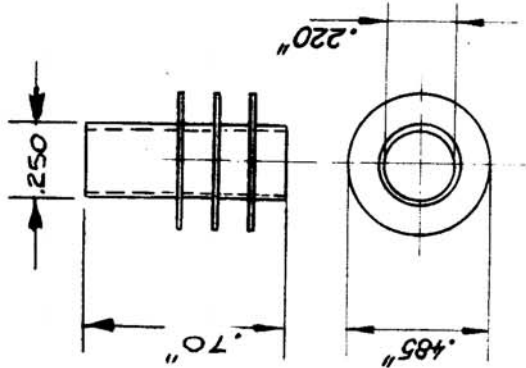
STANDARD DRAWING

C1-10005 A

USED ON

MODEL PROJECT NO. ASSY. NO. DATE

AMCG-243



OPEN END TYPE.

MFRS. TYPE I.IIA (T.IIA)

A 1	CHANGED	3/9/60	WHD	R.M.Y.
ISSUE ITEM	CHANGED FROM	DATE	CN. NO. DRAFTS	CHECKER/ENG. APP.
TOLERANCES		SCALE 5:100 45-17		
DIM. ± C. DIM. ± ULAR DIM. ±				
DRILL, PUNCH, COMMERCIAL STOCK SIZES AND MANUFACTURERS TOLERANCES ARE NOT INCLUDED.				

REQ. ITEM	PART NO.	DESCRIPTION	SYMBOL
		TMC (Canada) LIMITED OTTAWA	
		POLYSTYRENE FORMER	
		MATERIAL	
		TYPE & TEMPER	
		HEAT TREAT. SPEC.	
		FINISH & SPEC. NO.	
		STOCK SIZE	
		WEIGHT PER PC.	
		DRAWN	
		ELEC. DES. APP.	
		MECH. DES. APP.	
		CHECKED	
		FINAL APPROVAL	

110