

IF IT IS FOUND DESIRABLE TO CHANGE ANY TOLERANCE OR OTHER DETAIL SPECIFIED ON THIS DRAWING NOTIFY THE PURCHASER PROMPTLY.

MAXIMUM ALLOWABLE TOLERANCES HAVE BEEN DETERMINED AND DEVIATIONS WILL BE CAUSE FOR REJECTION. REMOVE ALL BURRS AND SHARP EDGES

STANDARD DRAWING

CI-10004 A

USED ON

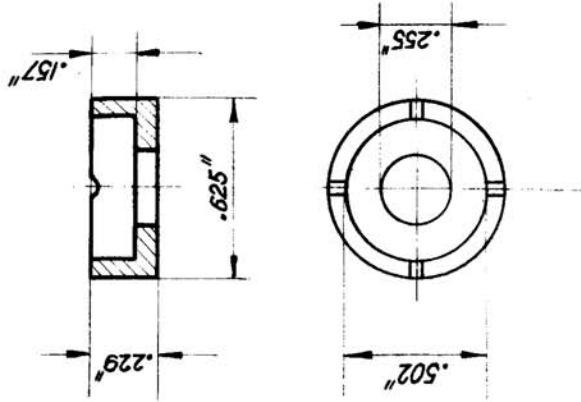
DATE

ASSY. NO.

PROJECT NO.

MODEL

AMC 6-2 #3



NOTICE TO PERSONS RECEIVING THIS DRAWING

THE TECHNICAL MATERIEL CORPORATION claims proprietary right in the material disclosed hereon. This drawing is issued in confidence for engineering information only and may not be reproduced or used to manufacture anything shown hereon without permission from THE TECHNICAL MATERIEL CORPORATION to the user. This drawing is loaned for mutual assistance and is subject to recall at any time.

Property of:

THE TECHNICAL MATERIEL CORPORATION
MAMARONECK, NEW YORK

Mfrs. Type No. TMA

REQ. ITEM	PART NO.	DESCRIPTION	SYMBOL
		TMC (Canada) LIMITED	ONTARIO
		OTTAWA	
		CORE	
		DRAWN	R. N. Thomas
		ELEC. DES. APP.	MECH. DES. APP.
		CHECKED	FINAL APPROVAL
		HEAT TREAT. SPEC.	
		FINISH & SPEC. NO.	CI-10004 A

A	CHANGED	DATE	WHD	CN. NO.	DRAFTS	CHECKER	ENG. APP.
	CHANGED FROM	28 PT 60					RWZ
TOLERANCES							
SCALE S-10045-17							
DRILL, PUNCH, COMMERCIAL STOCK SIZES AND MANUFACTURERS TOLERANCES ARE NOT INCLUDED.							
ALL OTHERS	DEC. DIM. ±	FRAC. DIM. ±	ANGULAR DIM. ±				