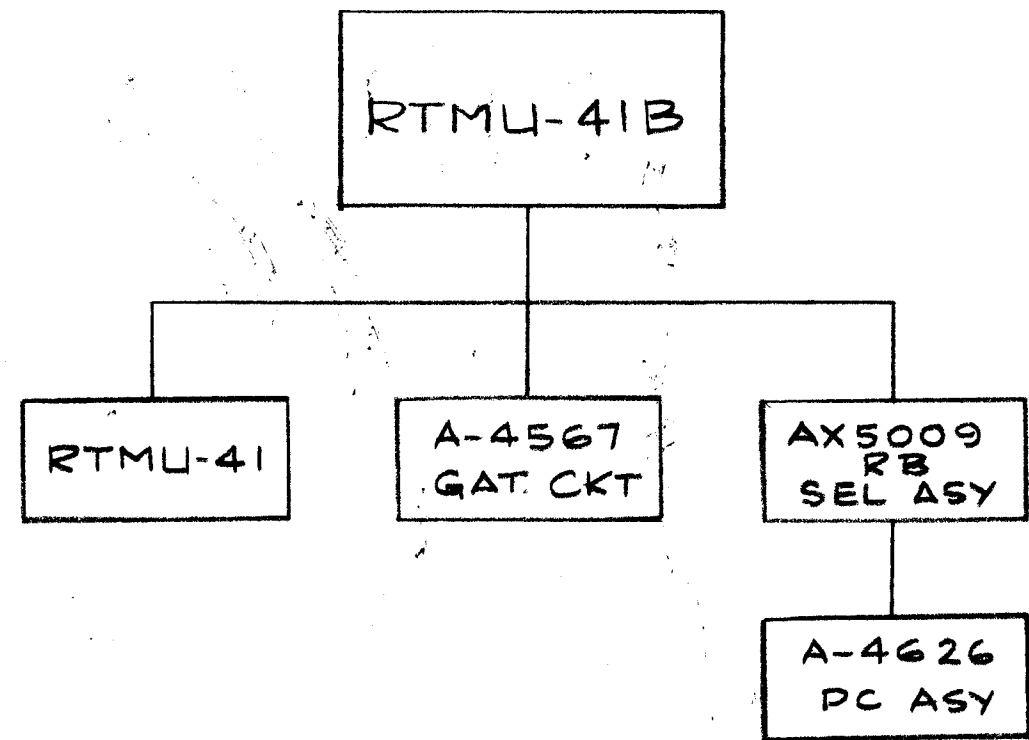


REVISIONS					
ZONE	LTR	DESCRIPTION	DATE	E.M.N.NO	APPD



REQ'D	ITEM	PART NUMBER	DESCRIPTION	SYM.
LIST OF MATERIAL				
THE TECHNICAL MATERIEL CORP. MAMARONECK, NEW YORK				
CHART, UNIT BREAKDOWN				
UNLESS OTHERWISE SPECIFIED DIMENSIONS ARE IN INCHES AND INCLUDE CHEMICALLY APPLIED OR PLATED FINISHES		FINAL APPROVAL	DATE	THE TECHNICAL MATERIEL CORP. MAMARONECK, NEW YORK  CHART, UNIT BREAKDOWN
DECIMALS      FRACTIONS		MECH. DES.	DATE	
.X ± .05      1/64		ELECT. DES.	DATE	
.XX ± .01      TOLS.      ANGLES		CHECKED	DATE	
.XXX ± .005      0° -30'		DRAWN <i>[Signature]</i>	DATE 7-24-69	
MATERIAL				SIZE
FINISH				CODE IDENT. NO.
				DWG NO.
				ISSUE
				SCALE
				SHEET OF

RTMU-41B		
QTY / UNIT	MODEL USED ON	ASS'Y NO.
APPLICATION		
CODE		
<p><b>NOTICE TO PERSONS RECEIVING THIS DRAWING</b>  <b>THE TECHNICAL MATERIEL CORPORATION</b> claims proprietary right in the material disclosed hereon. This drawing is issued in confidence for engineering information only and may not be reproduced or used to manufacture anything shown hereon without permission from <b>THE TECHNICAL MATERIEL CORPORATION</b> to the user. This drawing is loaned for mutual assistance and is subject to recall at any time.</p>		