

4

3

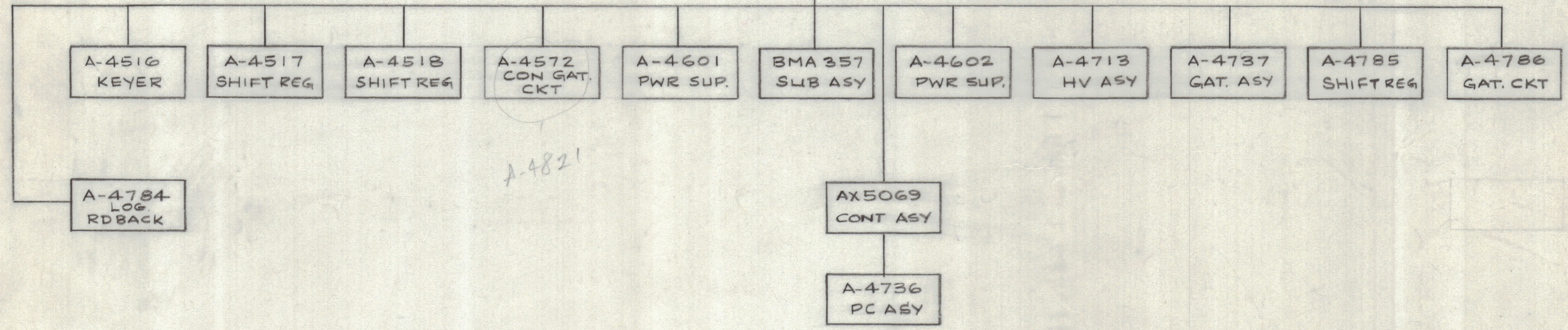
2

1

REVISIONS					
ZONE	LTR	DESCRIPTION	DATE	E.M.N.NO	APPD

RTTD-5A

BMA 400
FNL ASY



CH 821
X
B

QTY. REQ.	ITEM	PART NO.	DESCRIPTION	SYMBOL	
LIST OF MATERIAL					
UNLESS OTHERWISE SPECIFIED DIMENSIONS ARE IN INCHES AND INCLUDE CHEMICALLY APPLIED OR PLATED FINISHES		FINAL APPROVAL	DATE	THE TECHNICAL MATERIEL CORP. MAMARONECK, NEW YORK CHART, UNIT BREAKDOWN	
TOLERANCES ON		MECH. DES.	DATE		
DECIMALS .X ± .05		ELECT. DES.	DATE		
FRACTIONS ± 1/64		CHECKED	DATE		
ANGLES ± 0° -30'		DRAWN <i>[Signature]</i>	DATE 7-23-69		
MATERIAL		SIZE	CODE IDENT.NO.	DWG NO.	ISSUE
FINISH		C	82679	CH 821	X
SCALE			SHEET		OF

RTTD-5A		
QTY / UNIT	MODEL USED ON	ASS'Y NO.
APPLICATION		
CODE		
<small>NOTICE TO PERSONS RECEIVING THIS DRAWING</small> <small>THE TECHNICAL MATERIEL CORPORATION claims proprietary right in the material disclosed hereon. This drawing is issued in confidence for engineering information only and may not be reproduced or used to manufacture anything shown hereon without permission from THE TECHNICAL MATERIEL CORPORATION to the user. This drawing is loaned for mutual assistance and is subject to recall at any time.</small>		

D

C

B

A

4

3

2

1