

5

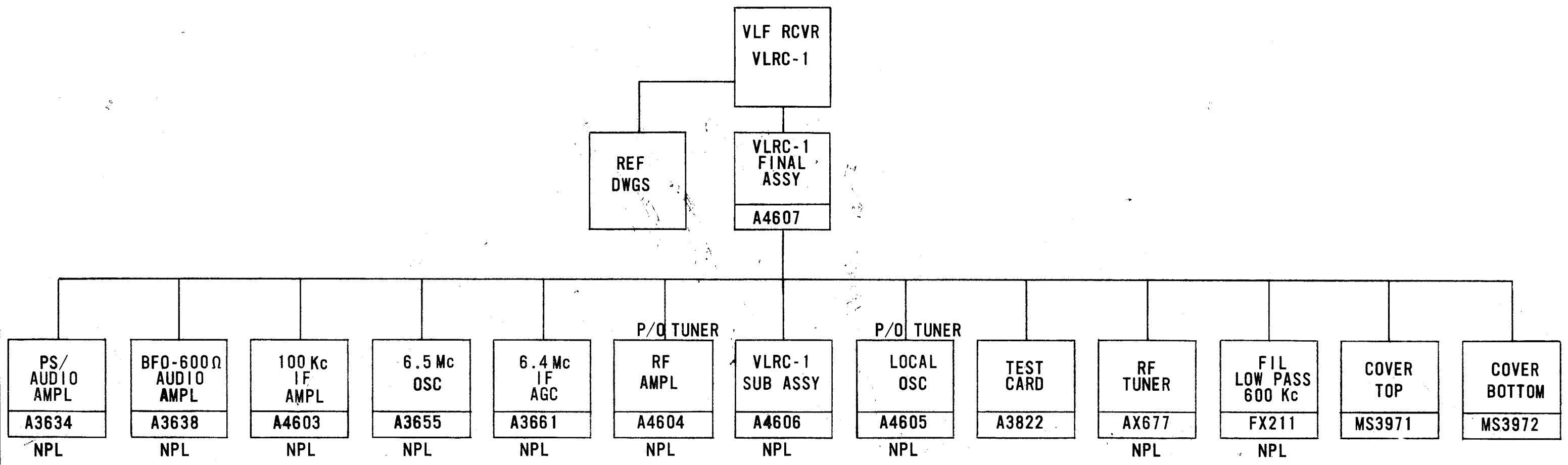
4

3

2

1

REVISIONS							
ZONE	LTR	DESCRIPTION	DATE	E.M.N.NO	DRAFT	CHKD	APPD
	X	EXPERIMENTAL RELEASE	5/29/67		CV		
	Ø	ORIGINAL RELEASE	9/24/69		ca		



REQ'D	ITEM	PART NUMBER	DESCRIPTION	SYM.	
LIST OF MATERIAL					
THE TECHNICAL MATERIEL CORP. MAMARONECK, NEW YORK					
CHART UNIT BREAKDOWN					
SCALE		SIZE B	CODE IDENT. NO. 82679	DWG NO. CH 590	ISSUE Ø
SHEET			OF		

VLRC-1		
QTY / UNIT	MODEL USED ON	ASS'Y NO.
APPLICATION		
CODE		
<p>NOTICE TO PERSONS RECEIVING THIS DRAWING THE TECHNICAL MATERIEL CORPORATION claims proprietary right in the material disclosed hereon. This drawing is issued in confidence for engineering information only and may not be reproduced or used to manufacture anything shown hereon without permission from THE TECHNICAL MATERIEL CORPORATION to the user. This drawing is loaned for mutual assistance and is subject to recall at any time.</p>		

UNLESS OTHERWISE SPECIFIED DIMENSIONS ARE IN INCHES AND INCLUDE CHEMICALLY APPLIED OR PLATED FINISHES	
DECIMALS .X ± .05 .XX ± .01 .XXX ± .005	FRACTIONS 1/64 ANGLES 0° -30'
MATERIAL	
FINISH	

FINAL APPROVAL	DATE
MECH. DES.	DATE
ELECT. DES.	DATE
CHECKED	DATE
DRAWN	DATE