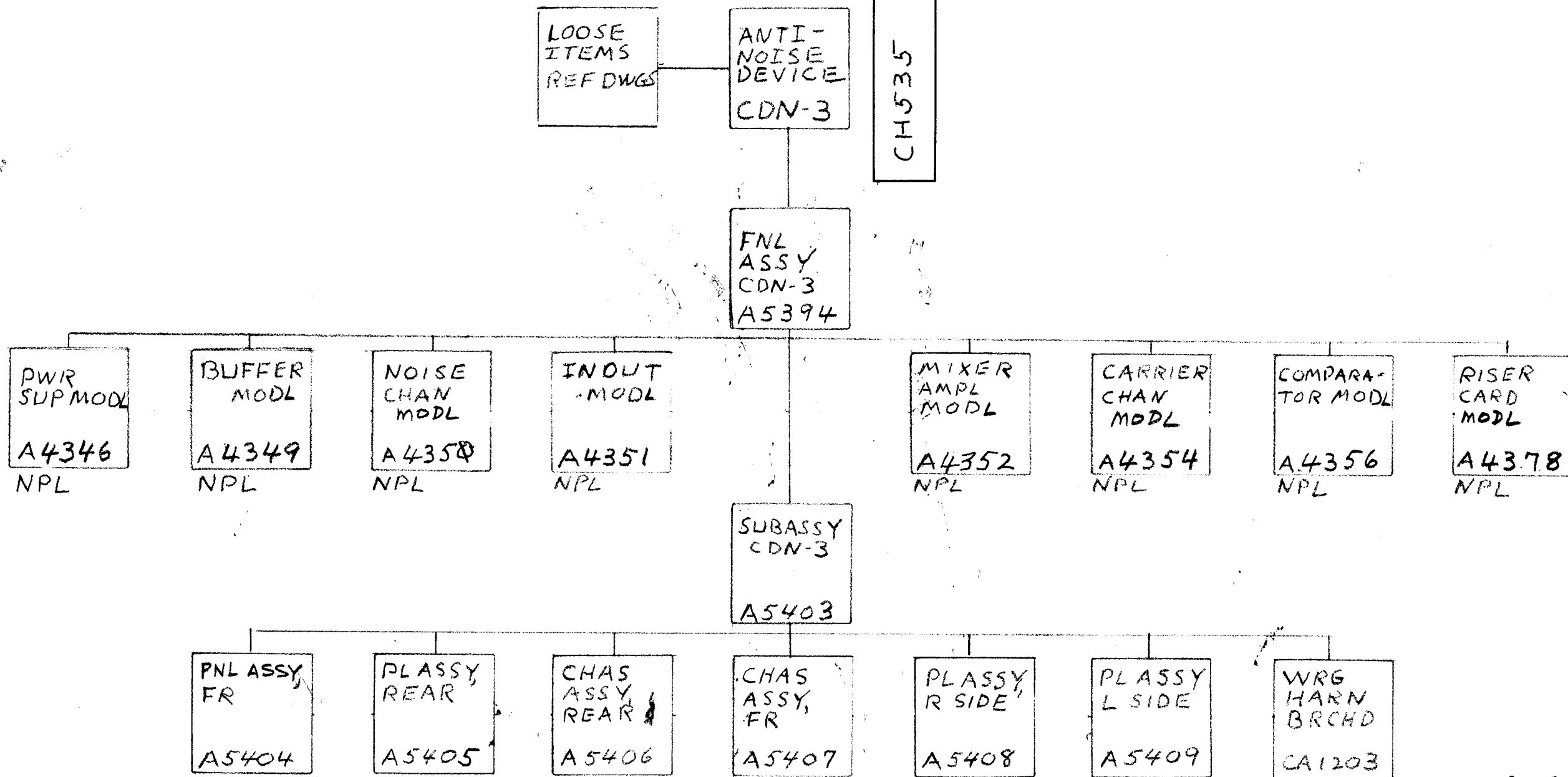


CH535

REVISIONS						
SYM	DESCRIPTION	DATE	E.M.N. NO.	DRAFT	CHKD	APPD
Ø	ORIGINAL RELEASE FOR PRODUCTION	1/25/66		Jc		



REQ'D.	ITEM	PART NUMBER	DESCRIPTION	SYMBOL
<b>LIST OF MATERIAL</b>				
MATERIAL		<b>THE TECHNICAL MATERIEL CORP. MAMARONECK, NEW YORK</b>		
FINISH		TITLE CHART, UNIT BREAKDOWN		
UNLESS OTHERWISE SPECIFIED DIMENSIONS ARE IN INCHES AND INCLUDE CHEMICALLY APPLIED OR PLATED FINISHES		DRAWN R COOK	DATE 12/20/65	FINAL APPROVAL <i>[Signature]</i>
DECIMALS .X ± .05 .XX ± .01 .XXX ± .005		CHECKED L. GABEL	DATE 1/29/66	DATE 1/25/66
TOLERANCES		ELECT. DES.	DATE	REV. LTR. Ø
FRACTIONS ± 1/64 ANGLES ± 0° 30'		MECH. DES.	DATE	
		SHEET		

Q'TY./UNIT	MODEL USED ON	ASS'Y. NO.
SCALE	CODE	

THE CONTENTS OF THIS DRAWING ARE THE EXCLUSIVE PROPERTY OF THE TECHNICAL MATERIEL CORP. ITS UNAUTHORIZED USE OR REPRODUCTION IN WHOLE OR IN PART IS STRICTLY FORBIDDEN.

NOTES