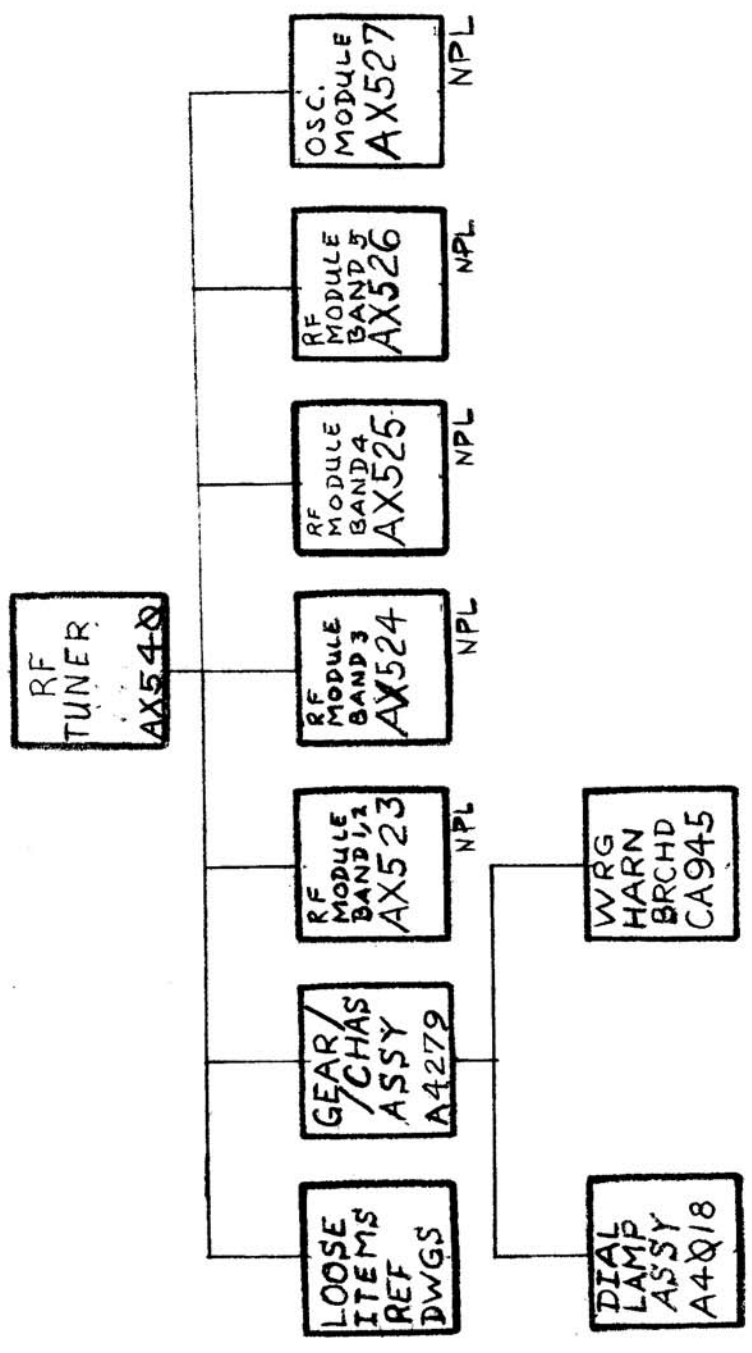


CH534

REQ. PART UNIT	MODEL	ASSY. NO.	DATE
	VLRB-1	AX540	12-20-63



REQ. ITEM	PART NO.	DESCRIPTION	SYMBOL
		THE TECHNICAL MATERIEL CORP. MAMARONECK. NEW YORK	
		CHART, UNIT BREAKDOWN	
		STOCK SIZE	
		MATERIAL	
		TYPE & TEMPER	
		HEAT TREAT. SPEC.	
		FINISH & SPEC. NO.	
		ELEC. DES. APP.	
		MECH. DES. APP.	
		DATE	
		CHECKER	
		ENG. APP.	
		SCALE	
		DATE	
		C.H. NO.	
		DRAFTS	
		CHECKER	
		ENG. APP.	
		DESCRIPTION	
		UNLESS OTHERWISE SPECIFIED	
		DIMENSIONS ARE IN INCHES AND INCLUDE	
		CHEMICALLY APPLIED OR PLATED FINISHES	
		TOLERANCES	
		FRACTIONS	
		DECIMALS	
		XX ± .01	
		XX ± .005	
		± 1/64	
		± 0° 30'	
		± 0° 30'	
		FINAL APPROVAL	
		CHECKED	
		DRAWN	
		DATE	
		12/30	
		CH534	