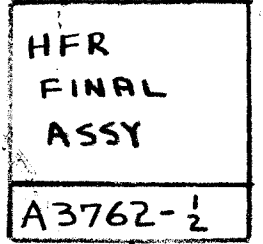


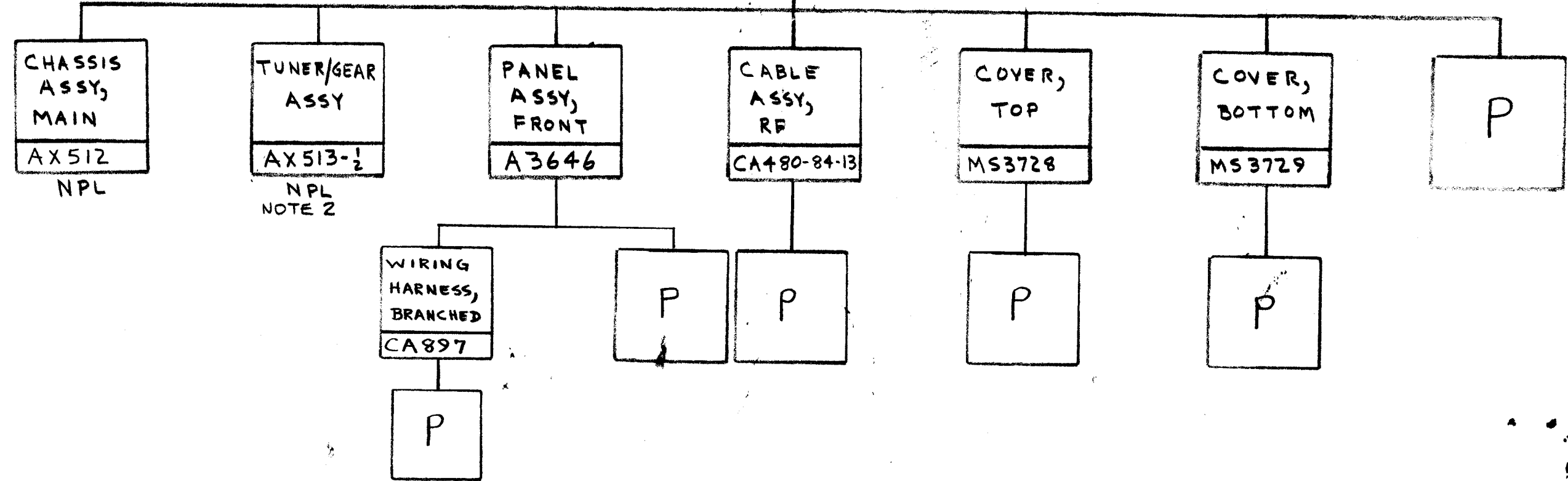
CH 373



REVISIONS						
SYM	DESCRIPTION	DATE	E.M.N. NO.	DRAFT	CHKD	APPD
Ø	ORIGINAL RELEASE FOR PRODUCTION	1-13-65	Ø	P.L.		

NOTE 1.  
HFR-2 - MANUAL  
HFRR-2 - AUTOMATIC

NOTE 2.  
A3762-1 AND AX513-1 USED ON HFR-2  
A3762-2 AND AX513-2 USED ON HFRR-2



REQ'D.	ITEM	PART NUMBER	DESCRIPTION	SYMBOL
<b>J. ANGER LIST OF MATERIAL</b>				
MATERIAL		THE TECHNICAL MATERIEL CORP. MAMARONECK, NEW YORK		
FINISH		TITLE CHART, UNIT BREAKDOWN		
UNLESS OTHERWISE SPECIFIED DIMENSIONS ARE IN INCHES AND INCLUDE CHEMICALLY APPLIED OR PLATED FINISHES		DRAWN J. SABATINO CHECKED J. SABATINO ELECT. DES. MECH. DES. DATE 9-24-64	DATE 9-24-64 DATE 1/12/65 DATE 9-24-64	FINAL APPROVAL CH373 SHEET
DECIMALS .X ± .05 .XX ± .01 .XXX ± .005		FRACTIONS ± 1/64 ANGLES ± 0° 30'		TOLERANCES
THE CONTENTS OF THIS DRAWING ARE THE EXCLUSIVE PROPERTY OF THE TECHNICAL MATERIEL CORP. ITS UNAUTHORIZED USE OR REPRODUCTION IN WHOLE OR IN PART IS STRICTLY FORBIDDEN.				

NOTES