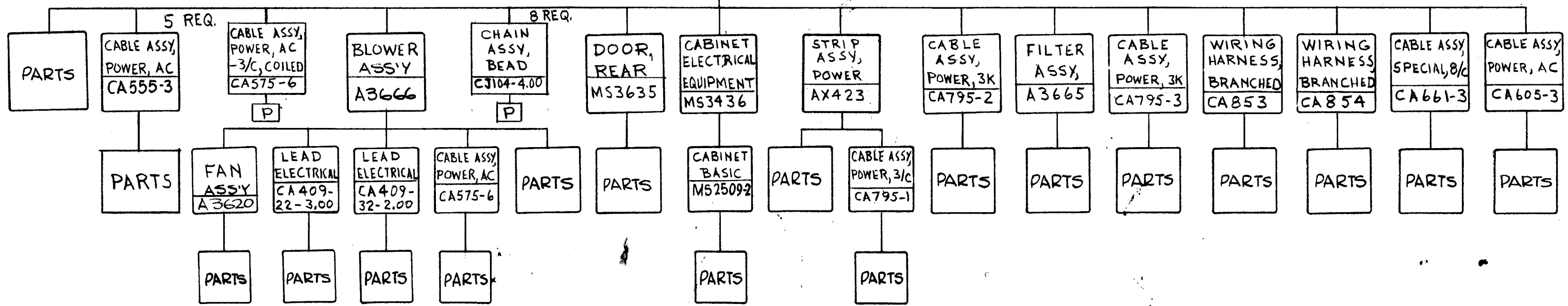


A  
CH366

REVISIONS					
SYM	DESCRIPTION	DATE	E.M.N. NO.	DRAFT	CHKD APPD
X	EXPERIMENTAL RELEASE	7-7-64		SRG	
O	ORIGINAL RELEASE FOR PRODUCTION	7-8-64		NB	
A	DESCRIPTIONS REVISED & UPDATED; CA 575-6 & "P" BLOCKS ADD; CJ104-4.00 & "P" BLOCKS ADD; AX423 BLOCK WAS A3205.	2-25-65	13562	H.F.	JCB

REF. DWGS & SPECS → RAK-31C CABINET, ELECTRICAL EQUIPMENT

FINAL ASSY, RAK-31C A3206



REQ'D.	ITEM	PART NUMBER	DESCRIPTION	SYMBOL
STURMER LIST OF MATERIAL				
MATERIAL			THE TECHNICAL MATERIEL CORP, MAMARONECK, NEW YORK	
FINISH			TITLE CHART, UNIT BREAKDOWN RAK-31C	
UNLESS OTHERWISE SPECIFIED DIMENSIONS ARE IN INCHES AND INCLUDE CHEMICALLY APPLIED OR PLATED FINISHES			DRAWN SRG	DATE 7-7-64
			CHECKED @	DATE 7-8-64
			ELECT. DES. /	DATE 7-8-64
			MECH. DES. /	DATE 7-8-64
			FINAL APPROVAL KAL CH366	
			SHEET	
			REV. LTR. A	

1	RAK-31C	
Q'TY./UNIT	MODEL USED ON	ASS'Y. NO.
SCALE	CODE A	

THE CONTENTS OF THIS DRAWING ARE THE EXCLUSIVE PROPERTY OF THE TECHNICAL MATERIEL CORP. ITS UNAUTHORIZED USE OR REPRODUCTION IN WHOLE OR IN PART IS STRICTLY FORBIDDEN.

NOTES