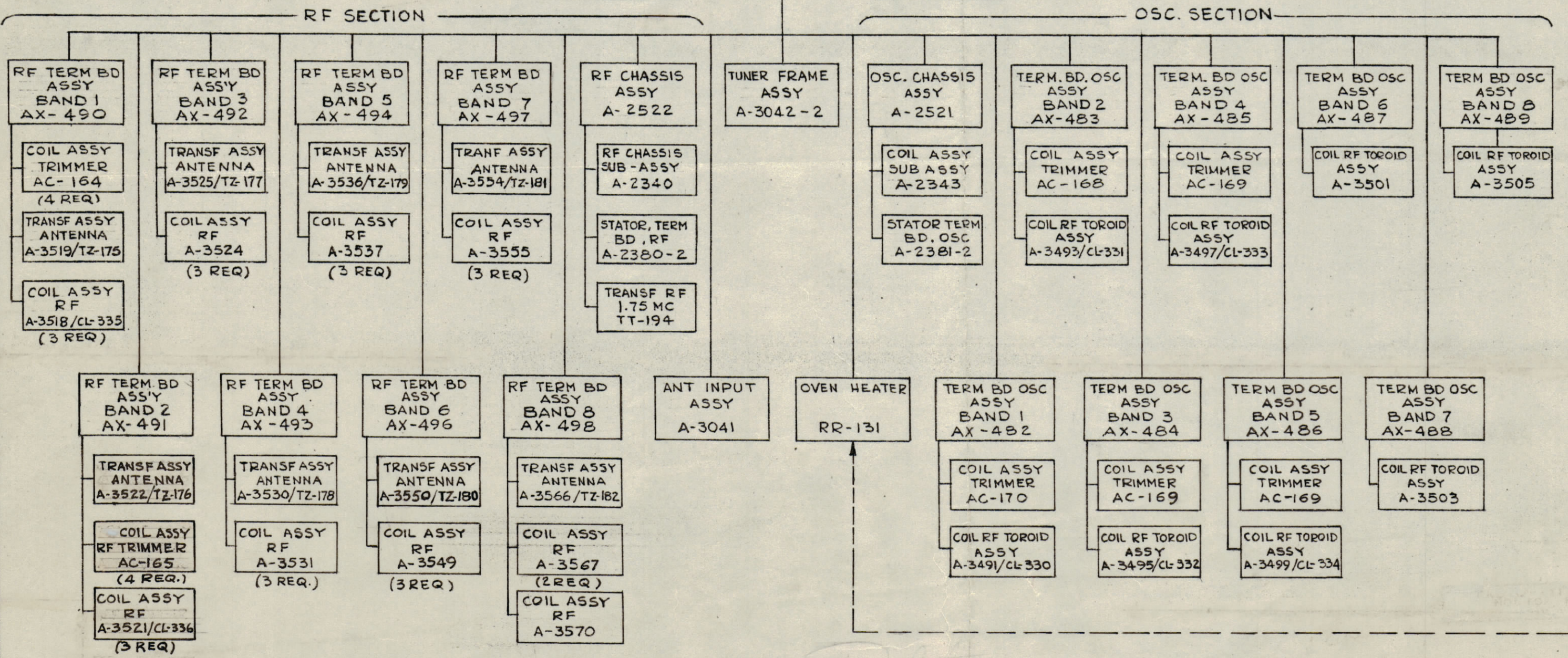
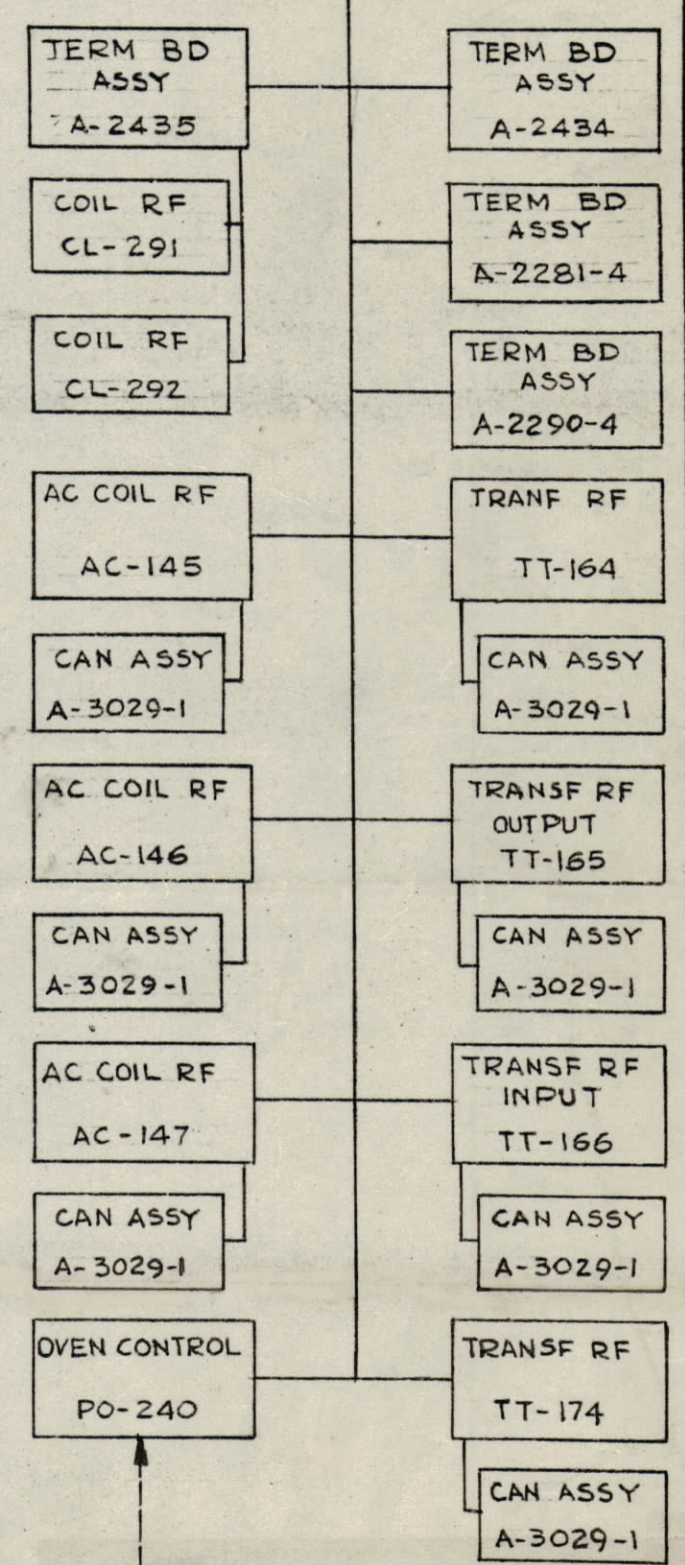
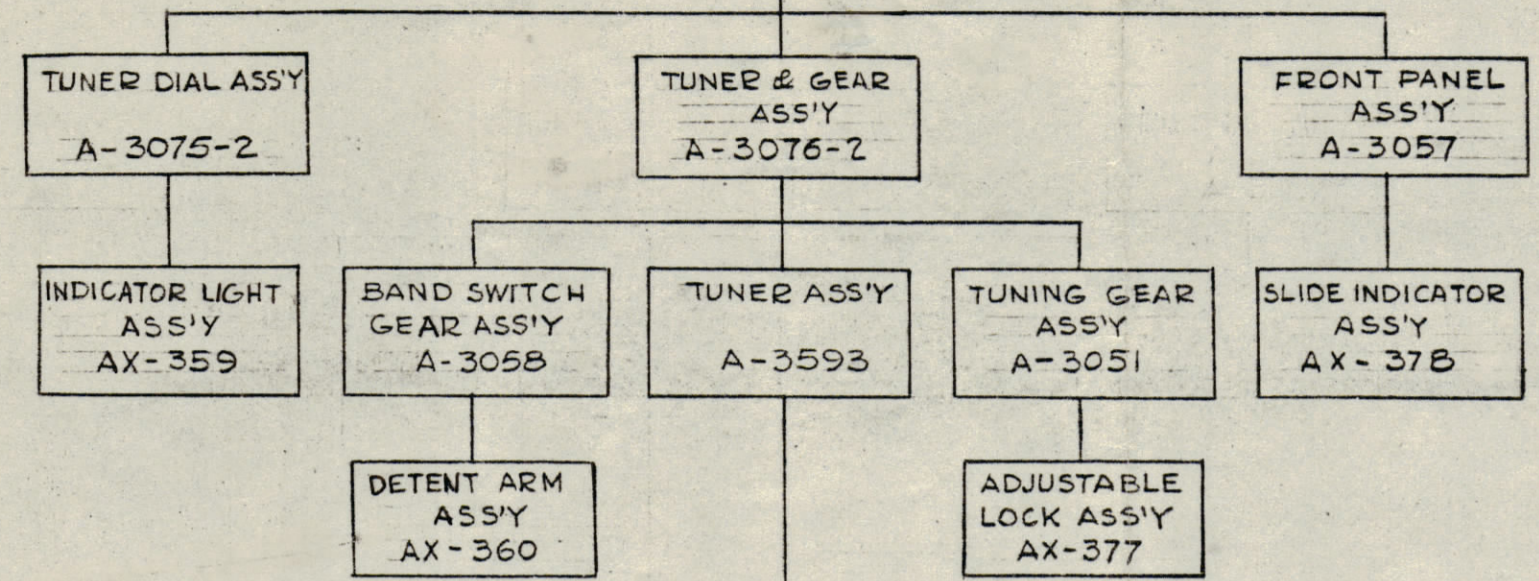


REVISIONS						
ZONE	SYM	DESCRIPTION	DATE	E.M.N. NO.	DRAFT	CHKD
		NO LONGER REQUIRED	12/6/65			

HFR-1A  
FINAL ASS'Y  
A-3073-2

HFR-1A/T  
FRONT PANEL &  
TUNER ASS'Y  
A-3074-2

HFR-1C  
CHASSIS MAIN ASS'Y  
A-3077



*Delivered 1-12-66*

REQ'D.	ITEM	PART NUMBER	DESCRIPTION	SYMBOL
<b>ANGER LIST OF MATERIAL</b>				
<b>THE TECHNICAL MATERIEL CORP.</b>				
MAMARONECK, NEW YORK				
<b>CHART, UNIT BREAKDOWN</b>				
<b>HFR-1A</b>				
DRAWN G.D.L		DATE 3-31-64	FINAL APPROVAL	
CHECKED		DATE	DATE 12/1/65	
ELECT. DES.		DATE	CH-342	
MECH. DFR.		DATE	SHEET	
REVISIONS		DATE	REV. LTR.	

HFR-1A		
QTY/UNIT	MODEL USED ON	ASSY. NO.
SCALE	CODE	

NOTES

THE CONTENTS OF THIS DRAWING ARE THE EXCLUSIVE PROPERTY OF THE TECHNICAL MATERIEL CORP. ITS UNAUTHORIZED USE OR REPRODUCTION IN WHOLE OR IN PART IS STRICTLY FORBIDDEN.