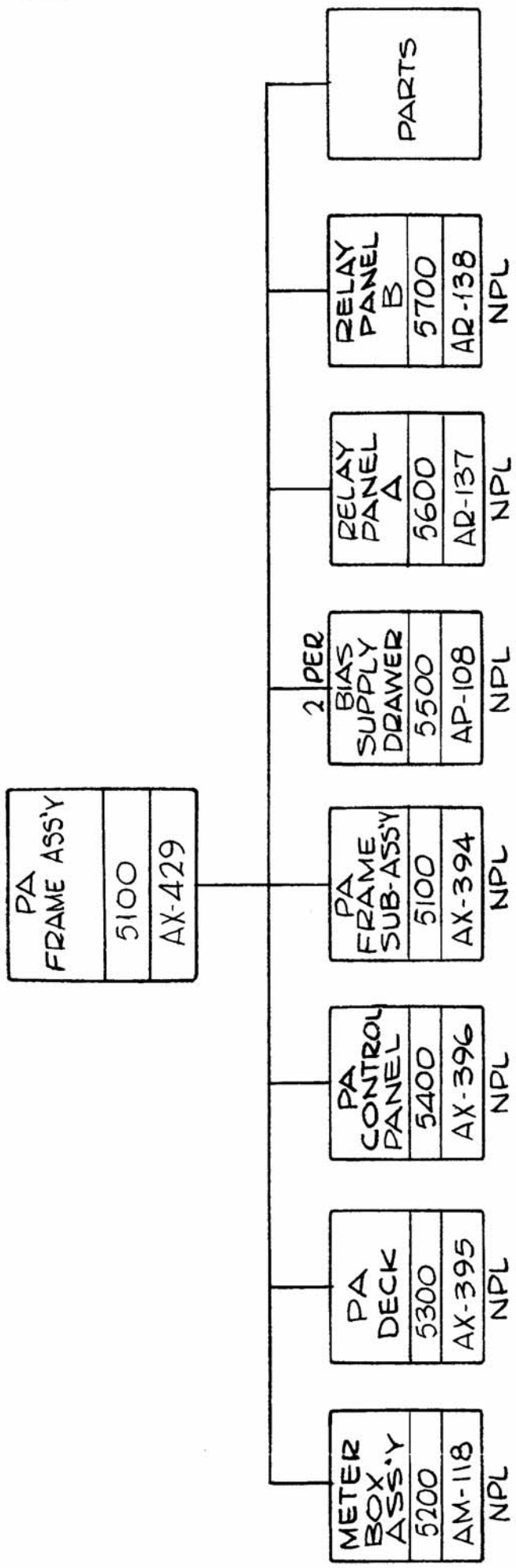


CH 305 \emptyset

REQ. PER UNIT	MODEL	USED ON
1	GPT-200K	ASBY. NO.
	AX-429	DATE
		5-19-64



REQ. ITEM	PART NO.	F. BUDETTI	DESCRIPTION	SYMBOL
	#		THE TECHNICAL MATERIEL CORP. MAMARONECK. NEW YORK	
	STOCK SIZE		CHART, UNIT BREAKDOWN	
	MATERIAL		AX-429	
	TYPE & TEMPER	SRG	CHECKED	FINAL APPROVAL
	HEAT TREAT. SPEC		2.8.64 1/27	
	FINISH & SPEC. NO.		ELEC. DES. APP. MECH. DES. APP.	CH 305 \emptyset
BYM	DESCRIPTION	DATE	CH. NO.	DRAFTS
	ORIGINAL RELEASE FOR PRODUCTION	5-27-64	0	A.M
	UNLESS OTHERWISE SPECIFIED DIMENSIONS ARE IN INCHES AND INCLUDE CHEMICALLY APPLIED OR PLATED FINISHES	SCALE		
	TOLERANCES	FRACTIONS	ANGLES	CODE
	.XX ± .01	± 1/64	± 0° 30'	A
	.XXX ± .005			