

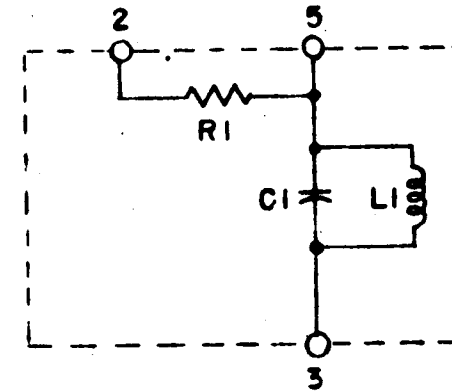
IF IT IS FOUND DESIRABLE TO CHANGE ANY TOLERANCE OR OTHER DETAIL SPECIFIED ON THIS DRAWING NOTIFY THE PURCHASER PROMPTLY.

MAXIMUM ALLOWABLE TOLERANCES HAVE BEEN DETERMINED AND DEVIATIONS WILL BE CAUSE FOR REJECTION. REMOVE ALL BURRS AND SHARP EDGES

CH-134

VALUE CHART

INC #	1 Req. C1	1 Req. L1	1 Req. R1
FD-117-2125	CL108F1000LE	CL200A507RLE	RE100E82001F
FD-117-2295	CL108F1600LE	CL200A437R9E	RE100E82001F
FD-117-2465	CL108F68000E	CL200A542R7E	RE100E82001F
FD-117-2635	CL108F68000E	CL200A472R4E	RE100E82001F
FD-117-2805	CL108F68000E	CL200A422R3E	RE100E82001F



NOTICE TO PERSONS RECEIVING THIS DRAWING

THE TECHNICAL MATERIEL CORPORATION claims proprietary right in the material disclosed herein. This drawing is loaned in confidence for engineering information only and may not be reproduced or used to manufacture anything shown herein without permission from THE TECHNICAL MATERIEL CORPORATION to the user. This drawing is loaned for mutual assistance and is subject to recall at any time.

Property of:

THE TECHNICAL MATERIEL CORPORATION
MAMARONECK, NEW YORK

NOTE -
SIMPLIFIED ASSY. - INDUCTORS AND CAPACITORS PROCURED FROM MFR. WITH A TOLERANCE OF $\pm 1/2\%$.
NO ADJUSTMENT REQUIRED.

REQ.	ITEM	PART NO.	DESCRIPTION	SYMBOL
			THE TECHNICAL MATERIEL CORP. MAMARONECK, NEW YORK	
STOCK SIZE			VALUE CHART FD-117- (*)	
MATERIAL			SIMPLIFIED ASSEMBLY	
TYPE & TEMPER			<i>JAD</i>	<i>KZ</i>
HEAT TREAT. SPEC.			<i>EDS</i>	<i>7/16/69</i>
FINISH & SPEC. NO.			<i>CH-134</i>	<i>φ</i>

ISSUE	ITEM	CHANGED FROM	DATE	CH. NO.	DRAFTS	CHECKED	ENG. APP.
<input checked="" type="checkbox"/>		ORIGINAL RELEASE	7/6/69			<i>OO</i>	

TOLERANCES		SCALE
ALL OTHERS	DEC. DIM. \pm FRAC. DIM. \pm	DRAWN PUNCH. COMMERCIAL STOCK SIZES AND MANUFACTURERS TOLERANCES ARE NOT INCLUDED.

FD-117	A-751	10-8-54
MODEL	PROJECT NO.	ASSY. NO.
		DATE