

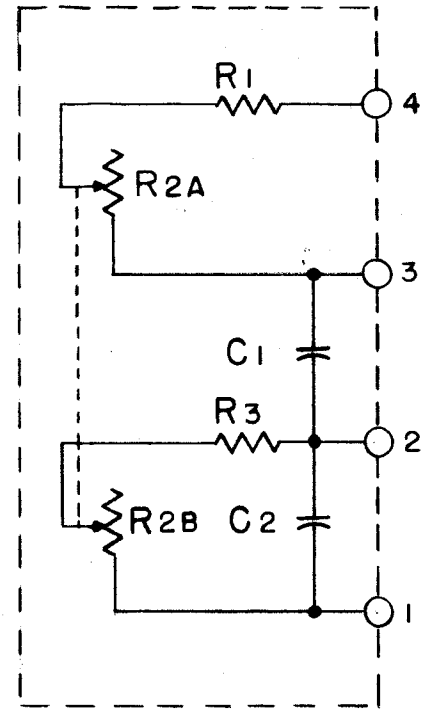
IF IT IS FOUND DESIRABLE TO CHANGE ANY TOLERANCE OR OTHER DETAIL SPECIFIED ON THIS DRAWING NOTIFY THE PURCHASER PROMPTLY.

MAXIMUM ALLOWABLE TOLERANCES HAVE BEEN DETERMINED AND DEVIATIONS WILL BE CAUSE FOR REJECTION. REMOVE ALL BURRS AND SHARP EDGES

CH-132 E

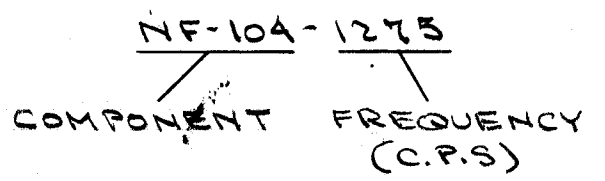
SYM.	USED ON TMC MODEL	TMC PART NO.	FREQ	1 EACH R1 & R3	1 EACH R2 (A&B)	1 EACH C1 & C2
Z2 HFO	RSC-2A	NF-104-425	425	RB100E77382F	RY104ATXA104A	CM200F365F
	" - 2B	" - 595	595	" 39002F	" 503A	CM200F550F
	" - 2C	" - 765	765	" 24072F	" 253A	CM200F733F
	" - 2D	" - 935	935	" 15982F	" 253A	CM200F917F
	" - 2E	" - 1105	1105	" 11242F	RA104AQXA103A	CM200F1100F
Z1 BFO	RSC-2A	NF-104-1275	1275	RB100E85451F	RA104AQXA103A	CM300F1280F
	" - 2B	" - 1445	1445	" 66921F	" 752A	CM300F1470F
	" - 2C	" - 1615	1615	" 53581F	" 752A	CM300F1650F
	" - 2D	" - 1785	1785	" 43851F	" 502A	CM300F1840F
	" - 2E	" - 1955	1955	" 36561F	" 402A	CM300F2020F
Z3 RFQ	RSC-2A	NF-104-2125	2125	RB100E30941F	RA104AQXA402A	CM300F2200F
	" - 2B	" - 2295	2295	" 26531F	" 302A	CM300F2390F
	" - 2C	" - 2465	2465	" 22991F	" 302A	CM300F2570F
	" - 2D	" - 2635	2635	" 20121F	" 302A	CM300F2750F
	" - 2E	" - 2805	2805	" 17761F	" 202A	CM300F2940F

Z1
Z2
Z3



SCHEMATIC DIAGRAM

TYPE DESIGNATION TO BE IN FOL. FORM



NOTE:

- 1- EACH MODEL RSC- (A, B, C, D OR E) CONTAINS THREE (3) NF-104-XXXX UNITS; LISTED ABOVE AS Z1, Z2 AND Z3. THE LETTER DESIGNATION FOLLOWING RSC-2 DETERMINES THE APPROPRIATE UNITS OF NF-104-XXXX TO BE USED.
- 2- SUFFIX TO NF-104- INDICATES DESIGN CENTER OF OPERATING FREQUENCY.

NOTICE TO PERSONS RECEIVING THIS DRAWING

THE TECHNICAL MATERIEL CORPORATION claims proprietary right in the material disclosed hereon. This drawing is issued in confidence for engineering information only and may not be reproduced or used to manufacture anything shown hereon without permission from THE TECHNICAL MATERIEL CORPORATION to the user. This drawing is loaned for mutual assistance and is subject to recall at any time.

Property of:
THE TECHNICAL MATERIEL CORPORATION
MAMARONECK, NEW YORK

FOR ASSY. DETAILS REFER TO DWGS. A-846 & A-847

ISSUE	ITEM	CHANGED FROM	DATE	CN. NO.	DRAFTS	CHECKER	ENG. APP.
E	1	CM200F1100F WAS CM300F1100F	11/21/58	534	16	ADK	PJK
D	1	All CM200's & CM300's were CM109's & CM108's respectively. Values remained the same	10/14/58	485	16	PJK	JAL
C	2	39002F WAS 40602F	9-1-54	3	16	OSD	KZ
	1	11242F WAS 11642F	9-1-54	3	16	OSD	KZ
B	1	RB100E85451E WAS RB100E87991F	4-1-55	2	16	ADK	KZ
A	1	Z1 WAS Z2 Z2 WAS Z1	12-1-54	1	M.A.S.	OSD	M.A.S.

ATT

TOLERANCES	SCALE:
ALL OTHERS DEC. DIM. ± FRAC. DIM. ± ANGULAR DIM. ±	DRILL, PUNCH, COMMERCIAL STOCK SIZES AND MANUFACTURERS TOLERANCES ARE NOT INCLUDED.

MODEL	PROJECT NO.	ASSY. NO.	DATE
NF-104 -	170		10-13-54
USED ON			

REQ.	ITEM	PART NO.	DESCRIPTION	SYMBOL
THE TECHNICAL MATERIEL CORP. MAMARONECK, NEW YORK				
STOCK SIZE				
FREQ. DET. NETWORK				
MATERIAL WEIGHT PER PC.				
CHART NF-104-				
TYPE & TEMPER				
HEAT TREAT. SPEC.				
FINISH & SPEC. NO.				