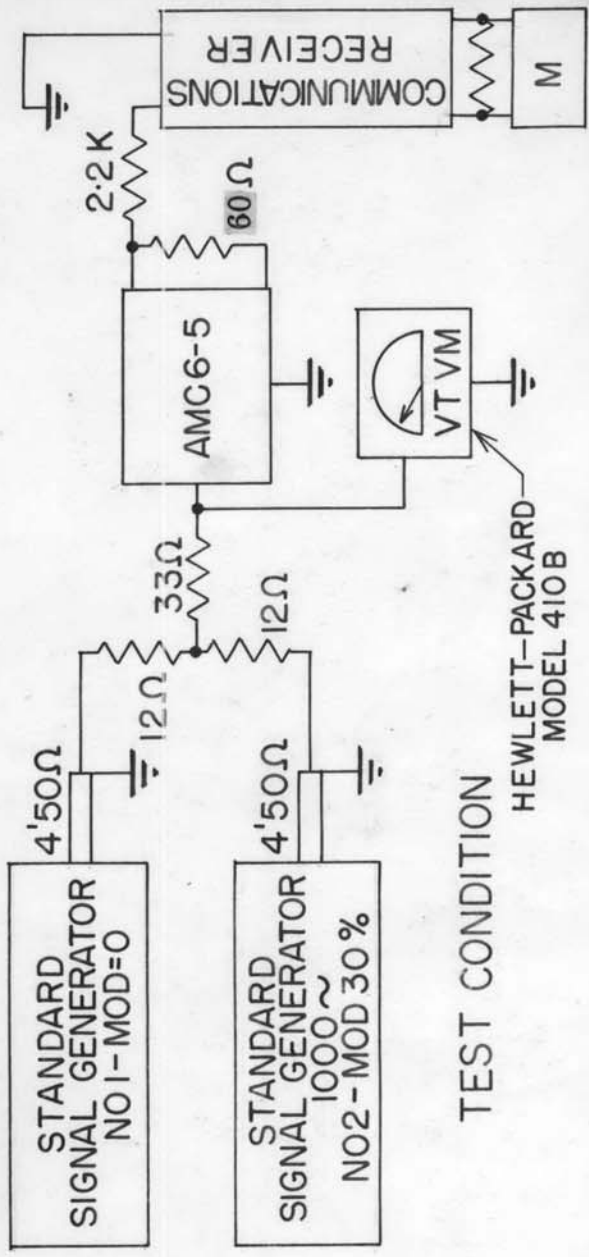


# HIGH LEVEL SPURIOUS RESPONSE OF A SYSTEM EMPLOYING THE AMC6-5/70U

SPURIOUS RESPONSE DB =  $20 \text{ LOG}_{10} \frac{E_1 \text{ OR } E_2}{E_3}$

AMPLITUDE OF  $f_1$  OR  $f_2$  AT THE ANTENNA JACK OF THE AMC6-5  
 AN EQUIVALENT VOLTAGE OF FREQUENCIES ( $f_1, f_2$ ) AT THE ANTENNA JACK OF THE AMC6-5 THAT WILL PRODUCE THE SAME OUTPUT AS WHEN  $E_1$  AND  $E_2$  ARE SIMULTANEOUSLY APPLIED TO THE INPUT



TEST CONDITION  
 HEWLETT-PACKARD  
 MODEL 410B

