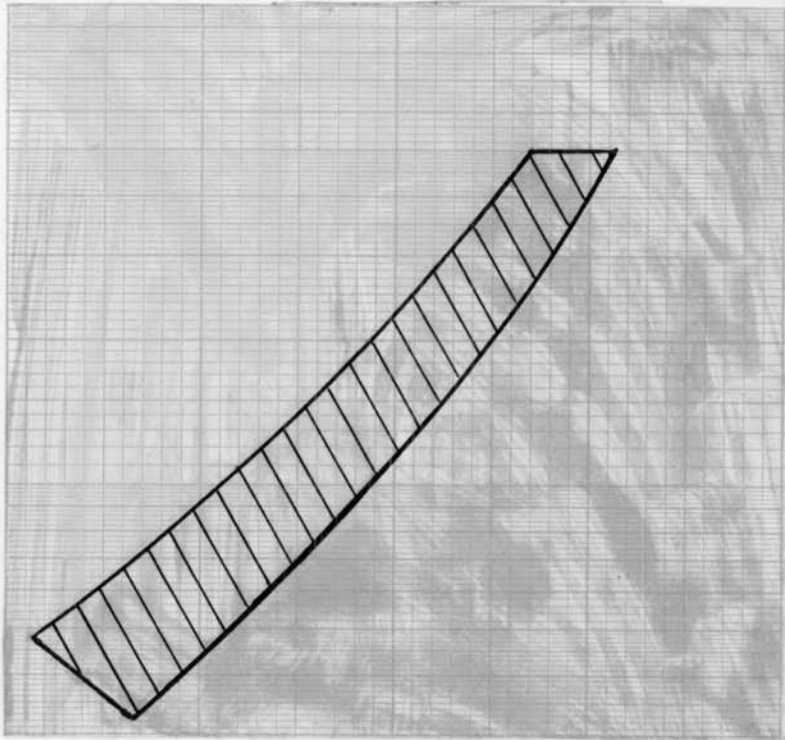
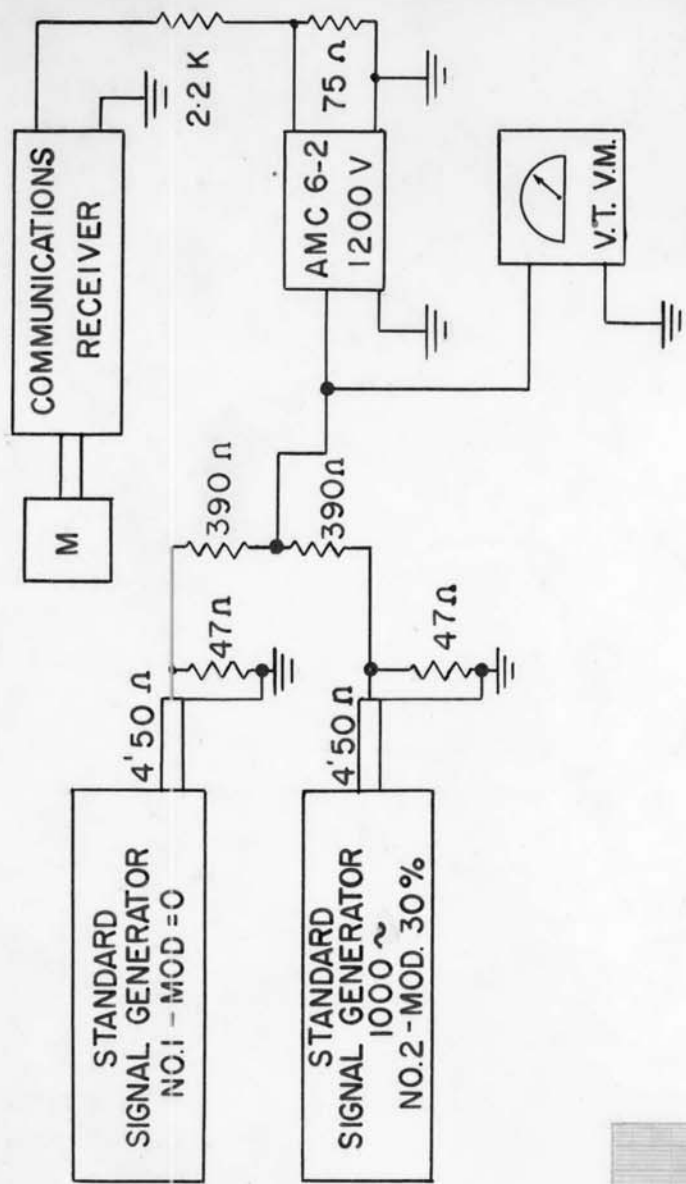


TEST CONDITION

HIGH LEVEL SPURIOUS RESPONSE  
OF A SYSTEM EMPLOYING THE  
AMC 6-2 / 200 U



SPURIOUS RESPONSE DB=20 LOG  $\frac{E_1 \text{ or } E_2}{E_3}$

AMPLITUDE OF  $f_1$  OR  $f_2$  AT THE ANTENNA JACK\*  
OF THE AMC 6-2

$\frac{E_1 \text{ or } E_2}{E_3} =$  AN EQUIVALENT VOLTAGE OF FREQUENCY ( $f_1-f_2$ ) AT THE ANTENNA JACK OF THE AMC 6-2 THAT WILL PRODUCE THE SAME OUTPUT AS WHEN  $E_1$  AND  $E_2$  ARE SIMULTANEOUSLY APPLIED TO THE INPUT.