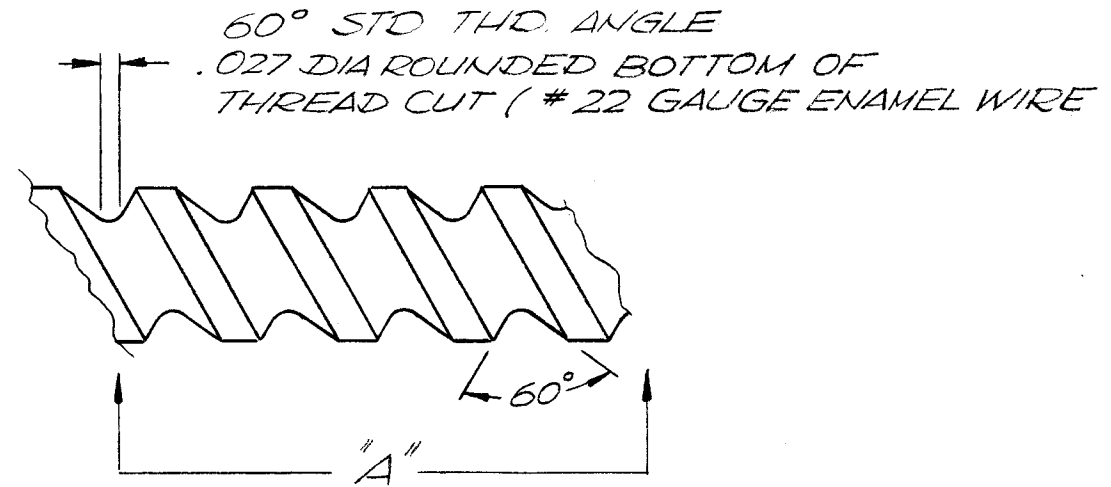
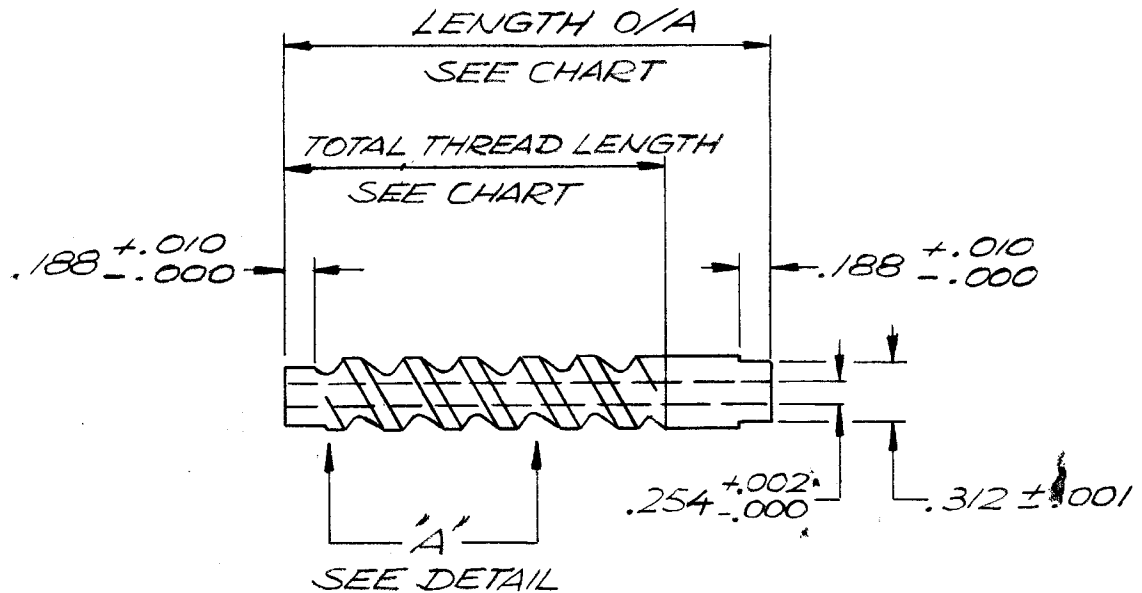


TMC P/N	DESCRIPTION	TOTAL THREAD LENGTH	O/A LENGTH
CF141-1	11-1/2 T.P.I.	2.000 ±.020	2.594 ±.015
-2	14 T.P.I.	2.000 ±.020	2.594 ±.015
-3	20 T.P.I.	2.000 ±.020	2.594 ±.015
-4	28 T.P.I.	2.000 ±.020	2.594 ±.015
-5	18 T.P.I.	2.300 ±.020	3.056 ±.015

REVISIONS						
ZONE	LTR	DESCRIPTION	DATE	E.M.N.NO	DRAFT	CHKD APPD
	X	EXP. RELEASE	12/5/68		K.H.	
	Ø	ORIG. RELEASE FOR PROD	12/27/68	Ø	R.G.	
	A	CF141-5 O/A LENGTH WAS 2.900 ADDED NOTE 2	2/18/69	19313	C.V.	J.D. OP
	B	.254 WAS .250, NOTE CHG	4/28/69	19388	GE	J.D. OP
	C	CHG. NOTE 1 TO LEXAN	4/28/70	19833	GE	J.D. OP



- NOTE:
- .250 I.D. X .375 O.D. GE LEXAN
  - HOLD ROOT DIA. OF THREAD TO .312  $\pm$ .000  
CONCENTRIC TO I.D.  $\pm$ .002

REQ'D	ITEM	PART NUMBER	DESCRIPTION	SYM.
POSE LIST OF MATERIAL				
THE TECHNICAL MATERIEL CORP. MAMARONECK, NEW YORK				
COIL FORM, THREADED				
SIZE	CODE IDENT. NO.	DWG NO.	ISSUE	
B	82679	CF 141	C	
SCALE	SHEET			OF

GPR - 10		
HFRR - 4		
QTY / UNIT	MODEL USED ON	ASS'Y NO.
APPLICATION		
CODE		
<p><b>NOTICE TO PERSONS RECEIVING THIS DRAWING</b>          THE TECHNICAL MATERIEL CORPORATION claims proprietary right in the material disclosed hereon. This drawing is issued in confidence for engineering information only and may not be reproduced or used to manufacture anything shown hereon without permission from THE TECHNICAL MATERIEL CORPORATION to the user. This drawing is loaned for mutual assistance and is subject to recall at any time.</p>		

UNLESS OTHERWISE SPECIFIED DIMENSIONS ARE IN INCHES AND INCLUDE CHEMICALLY APPLIED OR PLATED FINISHES	
DECIMALS .X $\pm$ .05 .XX $\pm$ .01 .XXX $\pm$ .005	FRACTIONS 1/64 TOLS. ANGLES 0° - 30'
MATERIAL SEE NOTE 1	
FINISH	

FINAL APPROVAL J.D.	DATE 12/27/68
MECH. DES. J.D.	DATE 12/27/68
ELECT. DES.	DATE
CHECKED J.D.	DATE 12/6/68
DRAWN J.D.	DATE 12/5/68