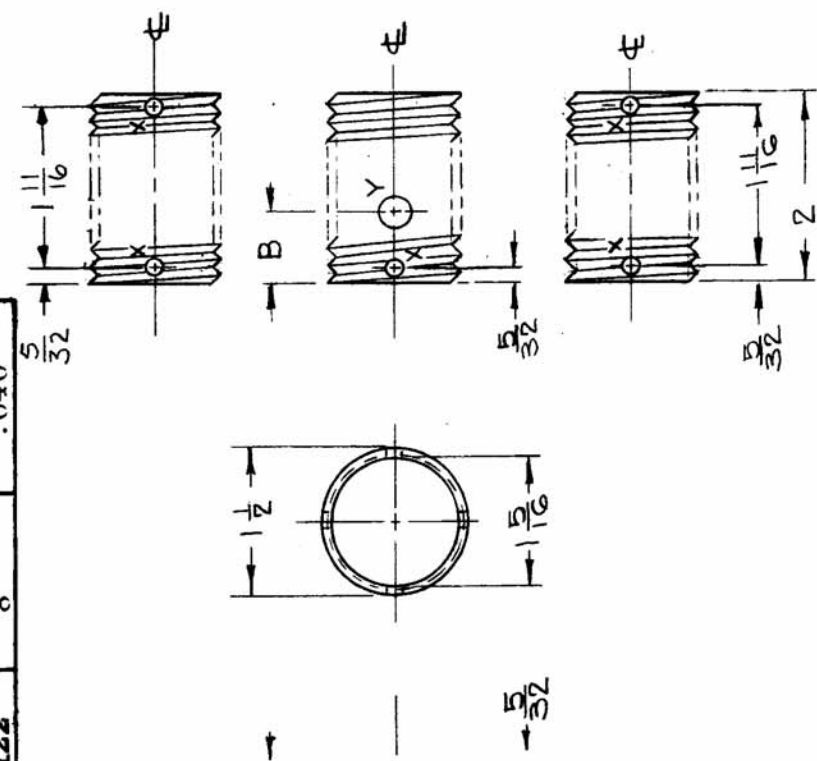
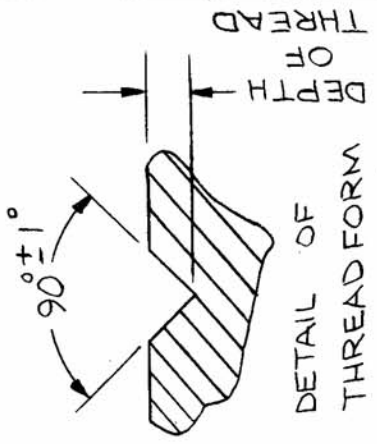


TMC PART NO.	MFR. PART NO.	DIMENSIONS		USED ON	THREADS PER INCH	DEPTH OF THREAD
		A	B			
CF 136-1	18.09-A	5/8	3/4	TZ-120	14	.025
CF 136-2	18.09-B	1/2	21/32	TZ-121	10	.030
CF 136-3	18.09-C	25/32	5/8	TZ-122	8	.040



hold for  
 change  
 further  
 MFG PT. NO.

HOLES  
 X - 5/32 DIA. - 6 REQ.  
 Y - 5/16 DIA. - 2 REQ.

REQ. ITEM	PART NO.	DESCRIPTION	SYMBOL
1-1/2 OD, 1 5/16 ID	KOHN	THE TECHNICAL MATERIEL CORP. MAMARONECK. NEW YORK	
STOCK SIZE		FORM, COIL, 1-1/2 OD	
PHENOLIC			
MATERIAL			
XXX			
TYPE & TEMPER	HEAT TREAT. SPEC.	CHECKED	FINAL APPROVAL
NATURAL		R KOHN	CF 136
FINISH & SPEC. NO.		ELEC. DES. APP. MECH. DES. APP.	A
DATE		3-1-67	
SCALE		S-401-47	
DESCRIPTION		COMpletely REVISED	
UNLESS OTHERWISE SPECIFIED DIMENSIONS ARE IN INCHES AND INCLUDE CHEMICALLY APPLIED OR PLATED FINISHES			
TOLERANCES		FRACTIONS ± 1/64 ANGLES ± 0° 30'	
DECIMALS		.X ± .05 .XX ± .01 .XXX ± .005	
CHECKER		RME	
DRAFTS		17817	
ENG. APP.			