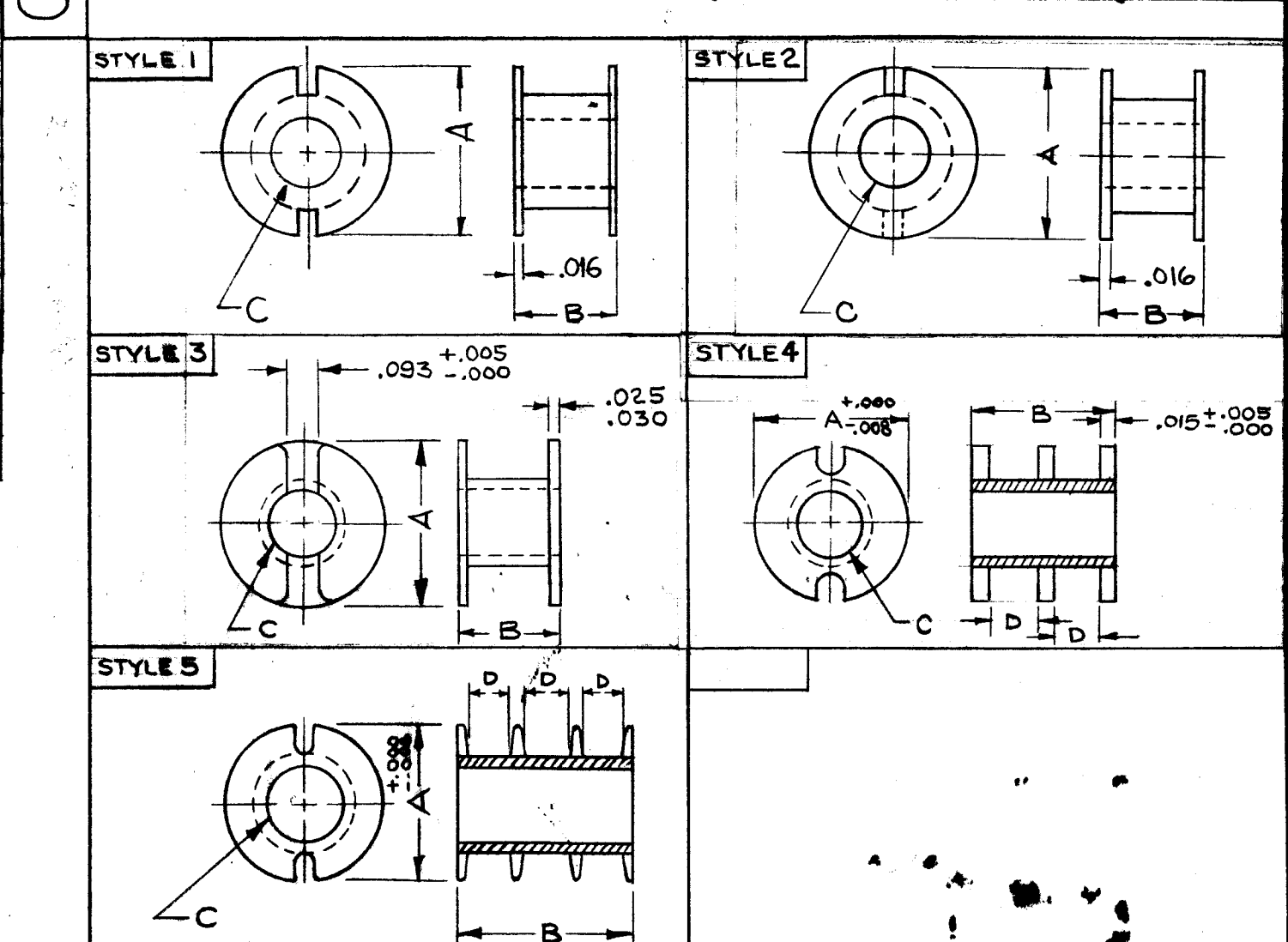


TMC PART NO	MFG. PART NO	A	B	C	D	* MATERIAL	STYLE	MFG REF.
CF-135-1	5669	.425	.120	.205	-	NYLON	1	A
CF-135-2	5700	.418	.125	.194	-	NYLON	1	A
CF-135-3	5703 479F280	.450	.280 MAX	.205 MIN	-	NYLON	1	A B
CF-135-4	2213F1D	.702 MAX	.358 MAX	.374 MIN	-	DELRIN	1	B, D
CF-135-5	BB02-1	.583	.279	.307	-	DELRIN	1	C D
CF-135-6	5666	.695	.320	.411	-	NYLON	1	A
CF-135-7	843-402	.418	.150	.193	-	NYLON	1	D
CF-135-8	NB-100	.420	.270	.164	-	NYLON	3	E
CF-135-9	1408F1D	.454	.216	.240	-	DELRIN	1	B D
CF-135-10	1408F2D	.454	.216	.240	.080	DELRIN	4	B
CF135-11	1811F2D	.584	.279	.303	.111	DELRIN	4	B
CF135-12	2213F3D	.702	.358	.374	.095	DELRIN	5	B
CF135-13	BB-04-2	.831 MAX.	.429 MAX.	.461 MIN.	.177	DELRIN	4	C
CF135-14	1811F3D	.584 MAX.	.279 MAX.	.303 MIN.	.071	DELRIN	5	B
CF135-15	2G16F3D	.828	.425	.459	.115	DELRIN	5	B, D
CF135-16	NB-101	.315	.275 MAX.	.164	-	NYLON	3	E
CF 135-17	1811 F1D	.584	.279	.303	-	NYLON	1	B
CF 135-18	DO NOT USE - REPLACED BY CF135-10							
CF 135-19	1408 F3D	.454	.216	.240	-	NYLON	5	B

REVISIONS						
SYM	DESCRIPTION	DATE	E.M.N. NO.	DRAFT	CHKD	APPD
B	REDRAWN WITH CHANGES, WAS 1 SIZE	11.13.64	12911	hwb		
C	ON CF135-7, MFG. P/N WAS "843-301, 494 F150"; "2" DELE. IN STYLE COL.; "A" DELE. IN MFG. REF. COL.	5.5.65	14003	JF		
D	TMC P/N CHG. ST. CF 135-13. *NOTE ADDED	7/1/65	15283	AVV		
E	CF135-14 ADDED	2-9-66	15796	DDZ		
F	CF135-15 & 16 ADDED	7-13-66	16584	HLA		
G	CF135-17 & 18 ADDED	9-27-67	18524	ENJ		EFM
H	CF135-19 ADDED	11-30-67	18645	ENJ		EFM
J	ADDED NOTE TO CF135-18	3/3/69	19345	GE		EFM



* NOTE: MATERIAL OPTIONAL
NYLON OR DELRIN

MFG. REF. CHART	
SYM.	MFG. CODE NO.
A	S-401-177
B	S-401-118
C	S-401-213
D	S-401-263
E	S-401-307

STANDARD DRAWING

HNF-1		3-19-62
Q'TY./UNIT	MODEL USED ON	ASS'Y. NO.
SCALE	CODE	
	C	

NOTES

THE CONTENTS OF THIS DRAWING ARE THE EXCLUSIVE PROPERTY OF THE TECHNICAL MATERIEL CORP. ITS UNAUTHORIZED USE OR REPRODUCTION IN WHOLE OR IN PART IS STRICTLY FORBIDDEN.

REQ'D.	ITEM	PART NUMBER	DESCRIPTION	SYMBOL
LIST OF MATERIAL				
MATERIAL SEE NOTE			THE TECHNICAL MATERIEL CORP. MAMARONECK, NEW YORK	
FINISH			TITLE FORM, COIL (BOBBIN TYPE)	
UNLESS OTHERWISE SPECIFIED DIMENSIONS ARE IN INCHES AND INCLUDE CHEMICALLY APPLIED OR PLATED FINISHES			DRAWN hwb	DATE 11.13.64
DECIMALS .X ± .05 .XX ± .01 .XXX ± .005			CHECKED G. Jancan	DATE 11-23-64
FRACTIONS ± 1/64 ANGLES ± 0° 30'			ELECT. DES.	DATE
TOLERANCES			MECH. DES.	DATE
			FINAL APPROVAL CF135	
			DATE	
			SHEET	
			REV. LTR. J	