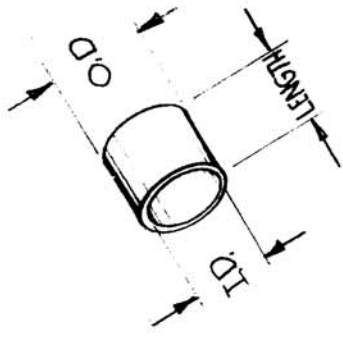


CF-130

REQ. PER. UNIT	1	MODEL	DVM-2	USCID ON	
			DVM-4	ASSY. NO.	
				DATE	6-28-60
					2-6-62

TMC PART NO	MFG. NO.	OD	ID	LENGTH
CF-130 -1		.203	.181	.165



REF. PRECISION PAPER TUBE CO.

REQ. ITEM	PART NO.	DESCRIPTION	SYMBOL
		THE TECHNICAL MATERIEL CORP.	
		MAMARONECK, NEW YORK	
		FORM, COIL	
		RESINITE	
		MATERIAL	
		STOCK SIZE	
		TYPE & TEMPER	
		HEAT TREAT. SPEC.	
		FINISH & SPEC. NO.	
ISSUE ITEM	CHANGED FROM	DRAWN	CHECKED
		<i>[Signature]</i>	<i>[Signature]</i>
			FINAL APPROVAL
			CF-130

SCALE:

MAXIMUM ALLOWABLE TOLERANCES HAVE BEEN DETERMINED AND ANY DEVIATIONS WILL BE CAUSE FOR REJECTION. REMOVE ALL BURRS AND SHARP EDGES

TOLERANCES

DEC. DIM. ±  
FRAC. DIM. ±  
ANGULAR DIM. ±