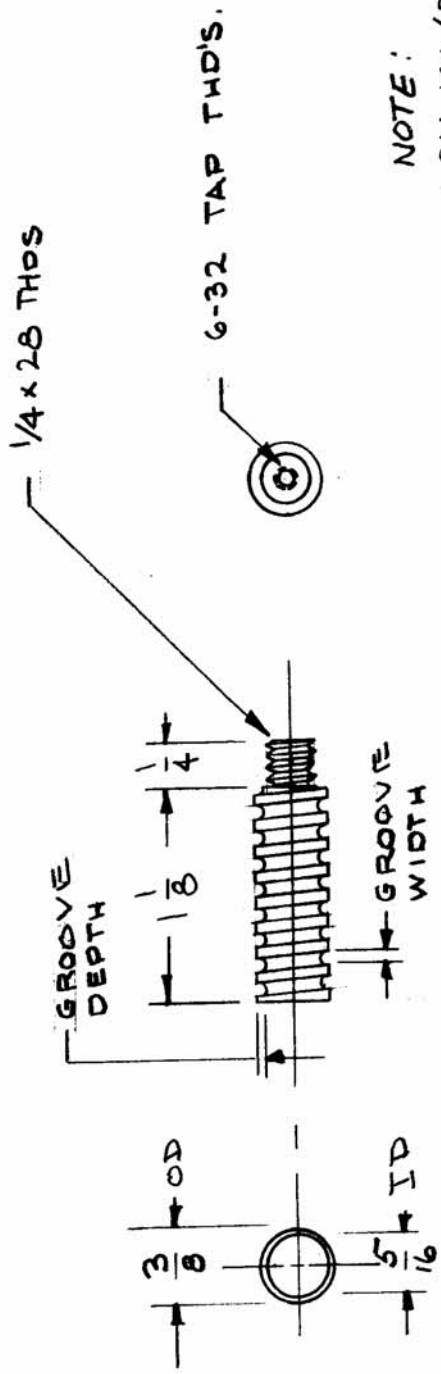


TMC PART NO.	GROOVE WIDTH	SIZE DEPTH	GROOVES PER INCH	ST USED
CF-128-1	.020	.010	14	RFBSD,
CF-128-2	.020	.010	20	RFBSD,



REQ. ITEM	PART NO.	DESCRIPTION	SYMBOL
		THE TECHNICAL MATERIEL CORP. MAMARONECK, NEW YORK	
		FORM, COIL, GROOVED, W/ BUSHING	
		STOCK SIZE	
		MATERIAL	
		PHENOLIC	
		KKXP LAMINATE	
		TYPE & TEMPER	
		HEATTREAT. SPEC.	
		CHECKED	
		DRAWN	
		FINISH APPROVAL	
		CF-128	A
		FINISH & SPEC. N.	
		ELEC. DES. APP	
		MECH. DES. APP	

DATE: 10 24 62

CH. N.: 7525

DRAFTS: [Signature]

CHECKER: [Signature]

ENG. APP.: [Signature]

SCALE:

MAXIMUM ALLOWABLE TOLERANCES HAVE BEEN DETERMINED AND ANY DEVIATIONS WILL BE CAUSE FOR REJECTION. REMOVE ALL BURRS AND SHARP EDGES