

IF IT IS FOUND DESIRABLE TO CHANGE ANY TOLERANCE OR OTHER DETAIL SPECIFIED ON THIS DRAWING NOTIFY THE PURCHASER PROMPTLY.

MAXIMUM ALLOWABLE TOLERANCES HAVE BEEN DETERMINED AND DEVIATIONS WILL BE CAUSE FOR REJECTION. REMOVE ALL BURRS AND SHARP EDGES

RELEASED

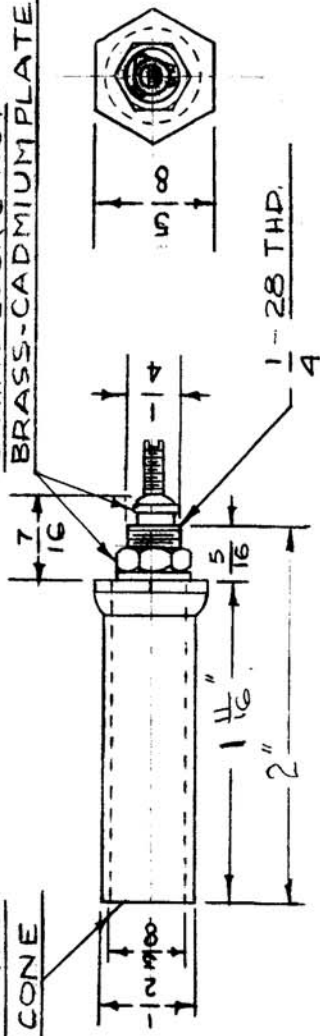
CF-102

USED ON

MODEL	PROJECT NO.	ASS'Y. NO.	DATE
FFR	104	A-10A	9-30-52
FFR-2			5-22-58

CERAMIC-IMREGNATED WITH SILVER SILICONE

SPRING LOCK & NUT-BRASS-CADMIUM PLATE



MOUNTING HARDWARE & SPRING LOCK SUPPLIED BY MANUFACTURER. COIL BODY IS CERAMIC-IMPREGNATED WITH SILVER SILICONE.

DEMENSION FOR REF. ONLY

USE: CTC CAT. # L57 WITH YELLOW SLUG (20063M-0.2-1.5MC) MODIFIED AS SHOWN.

REQ. ITEM	PART NO.	DESCRIPTION	SYMBOL
	ff	THE TECHNICAL MATERIEL CORP. MAMARONECK, NEW YORK	
SEE NOTE	ff	COIL FORM	
MATERIAL	WEIGHT PER PC.	SLUG TUNED	
TYPE & TEMPER			
HEAT TREAT. SPEC.			
FINISH & SPEC. NO.			

2	2 1/32 was	2/1/32		
1	1 1/16 was	1/23/32	5/11/56	1
ISSUE ITEM	CHANGED FROM	DATE	CN. NO.	DRAFTS CHECKER
SCALE FULL SIZE				
TOLERANCES				
DRILL, PUNCH, COMMERCIAL STOCK SIZES AND MANUFACTURERS TOLERANCES ARE NOT INCLUDED.				
ALL OTHERS	DEC. DIM. ±	FRAC. DIM. ±	ANGULAR DIM. ±	

DRAWN	G.T.O	10/9/52
MECH. DES. APP.	ELEC. DES. APP.	
CHECKED	FINAL APPROVAL	
CF-102		A