

IF IT IS FOUND DESIRABLE TO CHANGE ANY TOLERANCE OR OTHER DETAIL SPECIFIED ON THIS DRAWING NOTIFY THE PURCHASER PROMPTLY.

MAXIMUM ALLOWABLE TOLERANCES HAVE BEEN DETERMINED AND DEVIATIONS WILL BE CAUSE FOR REJECTION. REMOVE ALL BURRS AND SHARP EDGES

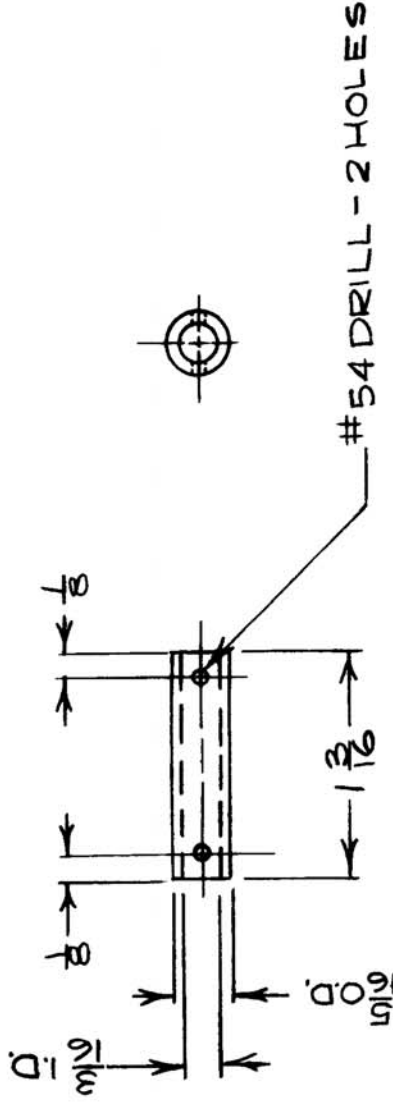
CF10014

USED ON

PROJECT NO. ASS'Y. NO. DATE

MODEL

NOV 23/60



NOTICE TO PERSONS RECEIVING THIS DRAWING

THE TECHNICAL MATERIEL CORPORATION claims proprietary right in the material disclosed hereon. This drawing is issued in confidence for engineering information only and is to be reproduced or used to manufacture any part shown hereon without permission from THE TECHNICAL MATERIEL CORPORATION to the user. This drawing is loaned for mutual assistance and is subject to recall at any time.

Property of:

THE TECHNICAL MATERIEL CORPORATION  
MANHATTAN, NEW YORK

REG.	ITEM	PART NO.	DESCRIPTION	SYMBOL
	2 16	ID X 5 16 OD X 1 3/16 LG.	TMC (Canada) LIMITED OTTAWA	
	3 X PHENOLK	STOCK SIZE	FORM-COIL MTG. TRANSFORMER	
		MATERIAL	JPC	
		WEIGHT PER PC.	DRAWN	
		TYPE & TEMPER	ELEC. DES. APP.	
		HEAT TREAT. SPEC.	CHECKED	
		FINISH & SPEC. NO.	FINAL APPROVAL	
ALL OTHERS	DEC. DIM. ±		CF10014	
	FRAC. DIM. ±			
	ANGULAR DIM. ±			

TOLERANCES

SCALE  
DIMENSIONS IN INCHES  
UNLESS OTHERWISE SPECIFIED  
DRILL, PUNCH, COMMERCIAL STOCK  
SIZES AND MANUFACTURERS  
TOLERANCES ARE NOT INCLUDED.