

IF IT IS FOUND DESIRABLE TO CHANGE ANY TOLERANCE OR OTHER DETAIL SPECIFIED ON THIS DRAWING NOTIFY THE PURCHASER PROMPTLY.

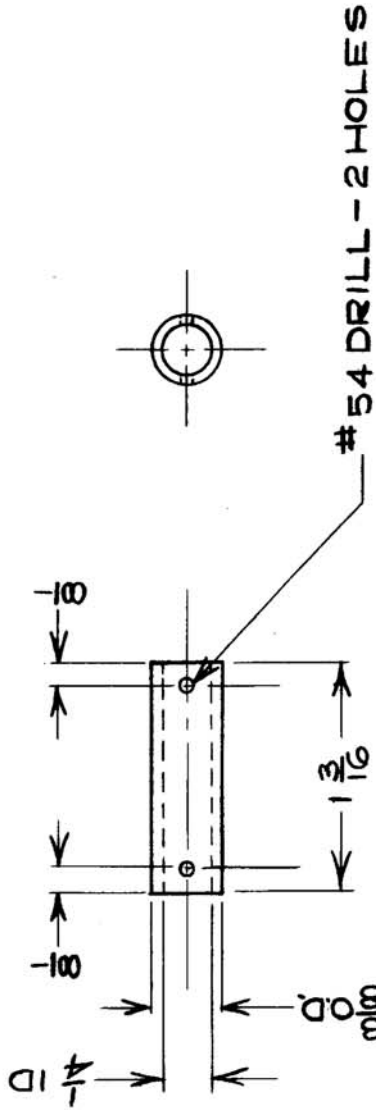
MAXIMUM ALLOWABLE TOLERANCES HAVE BEEN DETERMINED AND DEVIATIONS WILL BE CAUSE FOR REJECTION. REMOVE ALL BURRS AND SHARP EDGES

STANDARD DRAWING

CF10012

USED ON
PROJECT NO. _____ ASSY. NO. _____ DATE
NOV 5/58

MODEL
AMCG-5 CE646



NOTICE TO PERSONS RECEIVING THIS DRAWING

THE TECHNICAL MATERIEL CORPORATION claims proprietary right in the material disclosed hereon. This drawing is loaned in confidence for engineering information only and is not to be reproduced or used to manufacture anything of any kind without permission from THE TECHNICAL MATERIEL CORPORATION to the user. This drawing is loaned for product assistance and is subject to recall at any time.

Property of:

THE TECHNICAL MATERIEL CORPORATION
MAMARONECK, NEW YORK

REF. DIAMOND STATE FIBRE

REQ. ITEM	1	PART NO.	FORM	DESCRIPTION	SYMBOL
	1	41DX 3/8 ODX 1 3/16 LG	TMC (Canada) LIMITED	OTTAWA ONTARIO	
		BAKELITE TUBING	FORM - COIL MTG	TRANSFORMER	
		MATERIAL	DCM	DRAWN	M. W. Smith
		STOCK SIZE		ELEC. DES. APP.	M. W. Smith
		WEIGHT PER PC.		CHECKED	
		TYPE & TEMPER		FINAL APPR VAL	
		HEAT TREAT. SPEC.			
		FINISH & SPEC. NO.			CF10012 A

ISSUE ITEM	CHANGED FROM	DATE	CN. NO.	DRAFTS CHECKER	ENG. APP.
A	ADD 1/64 TO TOL. CHT.	1-21-69/9204	GE	J. W. F. J.	
Q	RELEASED TO PROD				

ALL OTHERS	DEC. DIM. ±	FRAC. DIM. ±	ANGULAR DIM. ±
		1/64	