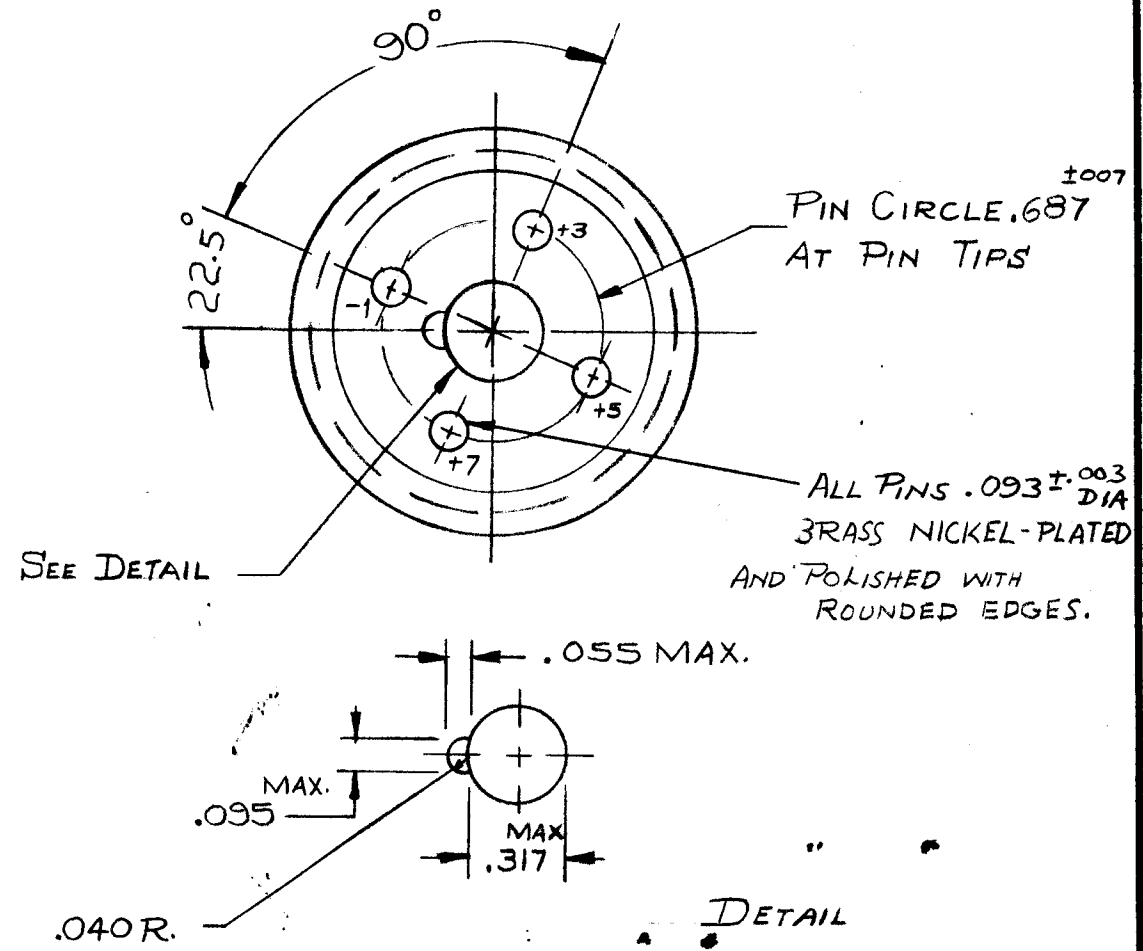
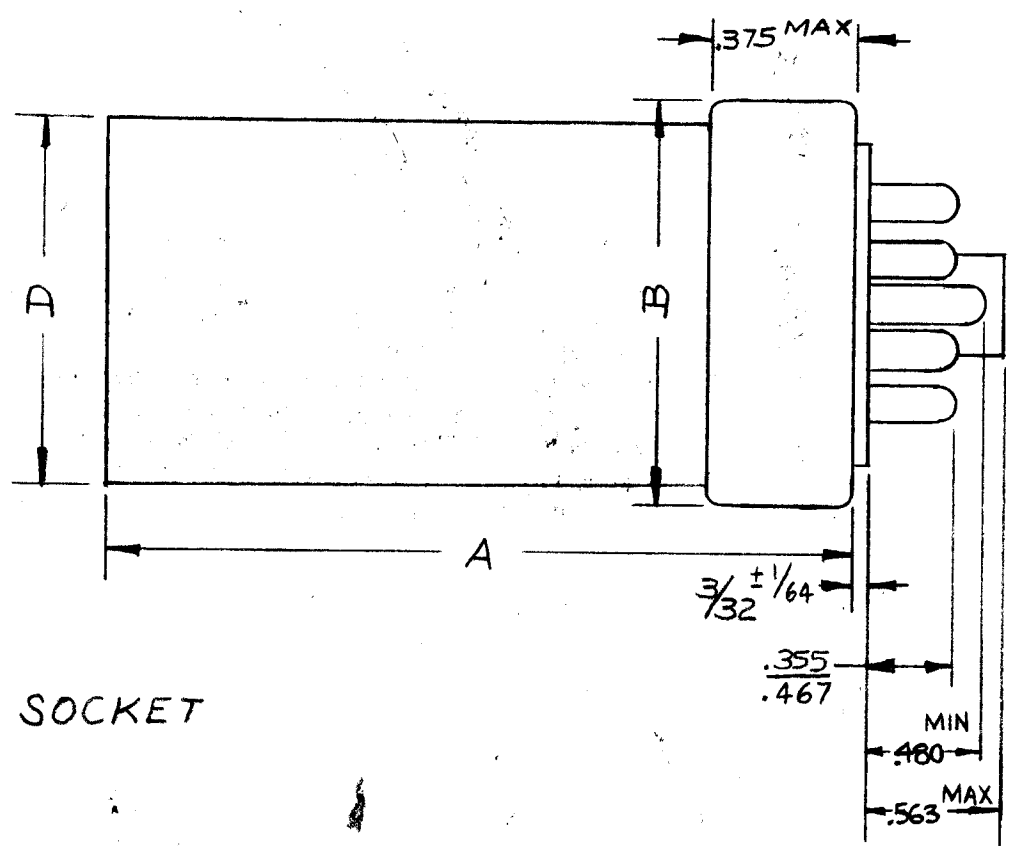
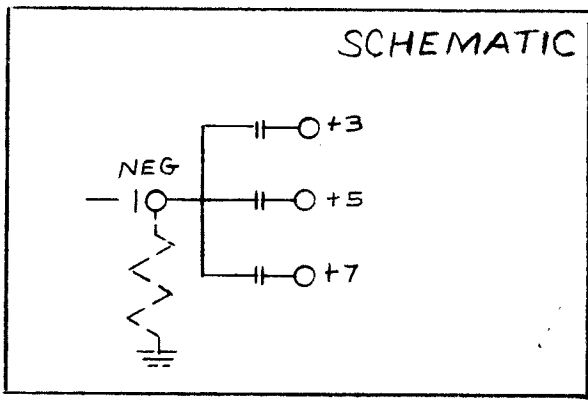


T.M.C. PART NO	MFG NO.	CAPACITANCE MFD	D.C. W.V.	D.C. SURGE VOLT	WORKING TEMP. RANGE	MAX. IMPED. PER SECTION AT 120+10 CPS AT -40° C	MAX. RMS RIPPLE PER SECTION AT 120 +10 CPS MILLIAMPERES	DIMENSION		
								A ± 1/16	B +0.10 -0.050	D ± 1/64
CE-108-1	DO-T20-450	20-20-20	450V	500	85°C	100	180	3	1 1/2	13/8

CE-108



NOTE:
PLUGS INTO STANDARD OCTAL SOCKET

NOTICE TO PERSONS RECEIVING THIS DRAWING

THE TECHNICAL MATERIEL CORPORATION claims proprietary right in the material disclosed hereon. This drawing is issued in confidence for engineering information only and may not be reproduced or used to manufacture anything shown hereon without permission from THE TECHNICAL MATERIEL CORPORATION to the user. This drawing is loaned for mutual assistance and is subject to recall at any time.

Property of:
THE TECHNICAL MATERIEL CORPORATION
MAMARONECK, NEW YORK

ISSUE	ITEM	CHANGED FROM	DATE	CH. NO.	DRAFTS	CHECKER	ENG. APP.
A	1	DIM LINE FOR .563, .480 & .355 CORRECTED	6-4-63	9123		JMY	
TOLERANCES		SCALE: S-401-81					
DEC. DIM. ±		MAXIMUM ALLOWABLE TOLERANCES HAVE BEEN DETERMINED AND ANY DEVIATIONS WILL BE CAUSE FOR REJECTION.					
FRAC. DIM. ± 1/64		REMOVE ALL BURRS AND SHARP EDGES					
ANGULAR DIM. ±							

REQ. PER UNIT	MODEL	PROJECT NO.	ASSY. NO.	DATE
3	CBE	CE-108-1		9-17-60
USED ON				

REQ. ITEM	PART NO.	DESCRIPTION	SYMBOL
		THE TECHNICAL MATERIEL CORP. MAMARONECK, NEW YORK	
		CAPACITOR, FIXED, ELECTROLYTIC, TRIPLE	
		R.0220 9-17-60	
		TYPE & TEMPER HEAT TREAT. SPEC.	
		FINISH & SPEC. NO.	
		ELEC. DES. APP. MECH. DES. APP.	
		CE-108	