

# STANDARD DRAWING

CE 103 C

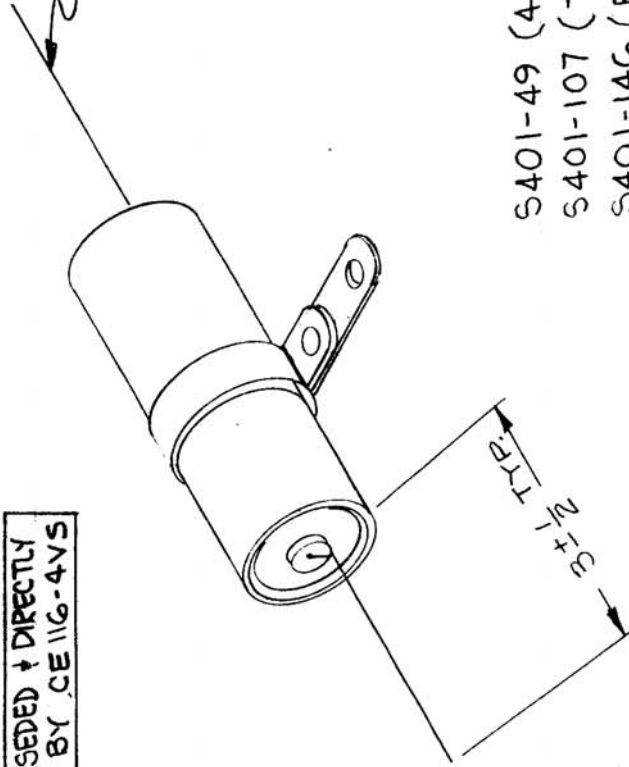
IF IT IS FOUND DESIRABLE TO CHANGE ANY TOLERANCE OR OTHER DETAIL SPECIFIED ON THIS DRAWING NOTIFY THE PURCHASER PROMPTLY.

MAXIMUM ALLOWABLE TOLERANCES HAVE BEEN DETERMINED AND DEVIATIONS WILL BE CAUSE FOR REJECTION. REMOVE ALL BURRS AND SHARP EDGES

TMC-NO.	QTY:	SIZE
CE 103-1	4	5/8 X 1 1/4 MAX
-2	8	5/8 X 1 19/32 MAX
-3	12	3/4 X 1 25/32 MAX
-A	16	13/16 X 1 3/4 ± 3/16
-5	20	13/16 X 1 3/4 ± 3/16
-6	30	15/16 ± 3/16 X 1 7/8 MAX
-7	40	15/16 ± 3/16 X 2 1/4 MAX.
-8	50	1 X 2 1/4 MAX.
-9	60	1 X 2 3/4 MAX.

SUPERSEDED + DIRECTLY REPLACED BY CE 116-4VS

#18-#20 AWG TYP.



TEMP. RANGE -20°C TO +85°C  
CASE - ALUMINUM  
SLEEVE - CARDBOARD  
MTG. STRAP - ALUMINUM OR STEEL  
LEADS - TINNED COPPER  
CAPACITANCE TOL. +100% -10%  
DISSIPATION FACTOR (120 CPS @ 25°C) -15 TO 25%

S401-49 (44D101--C1)  
S401-107 (TC )  
S401-146 (BR-250S)

REQ. ITEM	PART NO.	DESCRIPTION	SYMBOL
		THE TECHNICAL MATERIEL CORP. MAMARONECK, NEW YORK	
		CAPACITOR, ELECTROLYTIC	
		250 V. D.C.	
		500.5-24-55	
		DRAWN	HHT
		ELEC. DES. APP.	
		MECH. DES. APP.	G.T.O
		CHECKED	
		FINAL APPROVAL	
		CE 103	C

REQ. ITEM	PART NO.	STOCK SIZE	MATERIAL	WEIGHT PER PC.	TYPE & TEMPER	HEAT TREAT. SPEC.	FINISH & SPEC. NO.

ISSUE ITEM	CHANGED FROM	DATE	CN. NO.	DRAFTS CHECKER	ENG. APP.
C	ADD "OR STEEL TO STRAP" -2 WAS 5/8 X 1 1/4. ADD MAX TO 1 3/8.	11-2-66	1714-2	RME	JCB JC
B	SUPERSEDED NOTE ADDED TO CE 103-5	4-30-65	13960	JCB	JCB
A	UPDATED & CLARIFIED	12/10/63	10535	JCB	JCB

DEC. DIM. ±	FRAC. DIM. ±	ANGULAR DIM. ±
	1/8	

DRILL, PUNCH, COMMERCIAL STOCK SIZES AND MANUFACTURERS TOLERANCES ARE NOT INCLUDED.