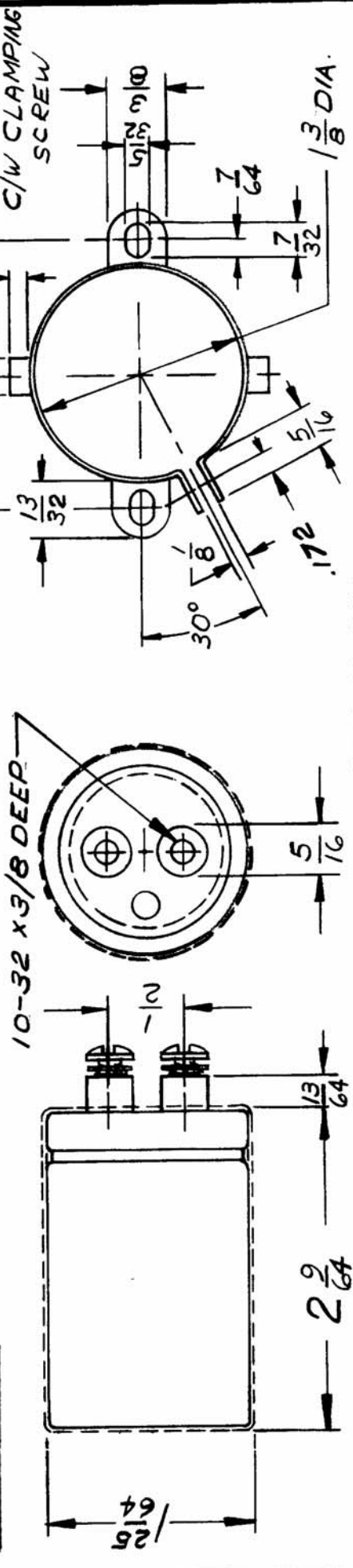


CE 10008

ISSUE	ITEM	CHANGED FROM	DATE	CH. NO.	DRAFTS	CHECKER	ENG. APP.	REQ.	ITEM	PART NO.	DESCRIPTION	SYMBOL
Ø		REL TO PROD	JAN 6/69		AP	[Signature]					MOUNTING CLAMP	
A		REV AS PER CEMN	2/14/73	1242	CC	Hel	50W				MFG P/No: VR 3	

CE 10008 - 1 CAPACITOR WITH MOUNTING CLAMP
 CE 10008 - 2 CAPACITOR WITHOUT MOUNTING CLAMP



NOTE:- CAPACITOR, MFG P/No CGS 222U040 BBI

1. CASE TO BE MARKED CE 10008
2. CAPACITY 2200 mfd -10% + 75%
3. 40VDCW -
4. TEMPERATURE RANGE -20°C - +65°C
5. MYLAR INSULATING SLEEVE

STANDARD DRAWING

MTGR NO. S401-107

MODEL	PROJECT NO.	ASS'Y. NO.	DATE	STOCK SIZE	WEIGHT PER PC.
			3 JAN 69		
USED ON				TMC (Canada) LIMITED OTTAWA ONTARIO	
				CAPACITOR, ELECTROLYTIC	
				2200 mfd 40VDC	
				AP	
				DRAWN [Signature]	
				ELEC. DES. APP. [Signature]	
				MECH. DES. APP. [Signature]	
				CHECKED [Signature]	
				FINAL APPROVAL	
				CE 10008 A	

IF IT IS FOUND DESIRABLE TO CHANGE ANY TOLERANCE OR OTHER DETAIL SPECIFIED ON THIS DRAWING NOTIFY THE PURCHASER PROMPTLY.

SCALE: DIMENSIONS IN INCHES UNLESS OTHERWISE SPECIFIED
 DRILL: PUNCH, COMMERCIAL STOCK SIZES AND MANUFACTURERS TOLERANCES ARE NOT INCLUDED.

TOLERANCES:
 DEC. DIM. ± .05
 FRAC. DIM. ± 1/64
 ANGULAR DIM. ± 0'30" .XXX = .005