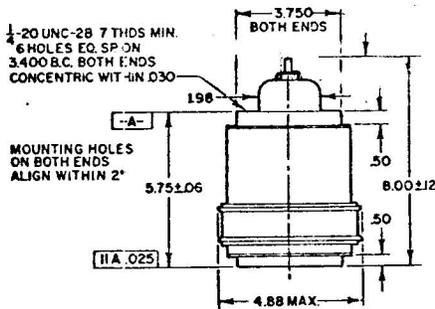
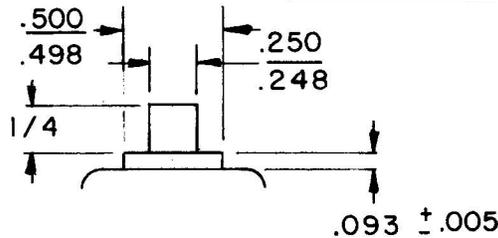


APPLICATION			REVISIONS						
QTY	MODEL USED ON	ASS'Y NO.	LTR	DESCRIPTION	DATE	E.M.N.NO	DRAFT	CHKD	APVD
1	PALA 10K	AX5084	X	EXPERIMENTAL RELEASE	1/15/70	—	KD		
			Ø	ORIGINAL RELEASE	1/20/70		Q		
			A	CHG SHAFT DETAIL	9/8/72	20814	GE	<i>DM</i>	<i>DM</i>

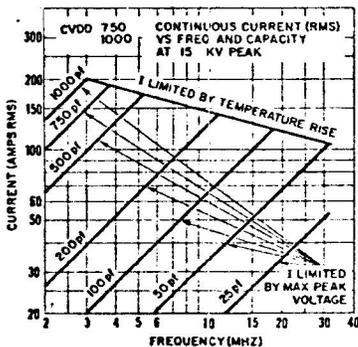


Mounting: Both ends have tapped holes.

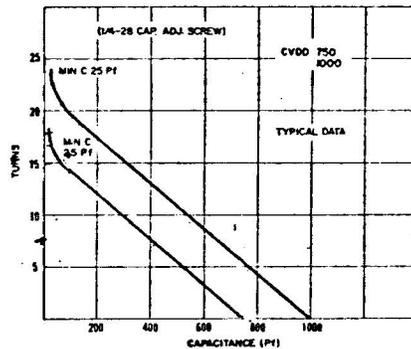
Capacity Range (pf)	Peak Test Voltage	Torque (In. lbs.)	Direct Pull (lbs.)	Weight (nom)
25-750	10 kv	4.2 max	68 max	6 lb 13 oz



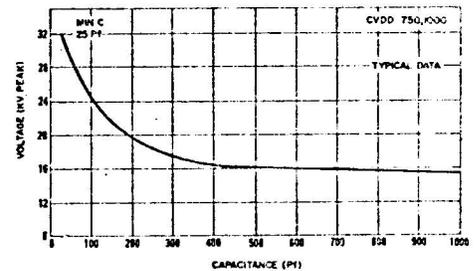
CONTINUOUS RMS AMPERES VS FREQUENCY VS CAPACITY



CAPACITY VS TURNS



60 CYCLE PEAK TEST VOLTAGE VS CAPACITY



UNLESS OTHERWISE SPECIFIED DIMENSIONS ARE IN INCHES AND INCLUDE CHEMICALLY APPLIED OR PLATED FINISHES		REQ'D ITEM	PART NUMBER	DESCRIPTION	SYM.
DECIMALS: .X ± .05, .XX ± .01, .XXX ± .005 FRACTIONS: 1/64, ANGLES: 0°-30° TOLS.:		BUDETTI LIST OF MATERIAL			
MATERIAL: S401-48 (CVDD 750-1000)		FINAL APPROVAL: <i>DB</i> DATE: 1-15-70	THE TECHNICAL MATERIEL CORP. MAMARONECK, NEW YORK		
FINISH:		MECH. DES.: ELECT. DES.: <i>R. Holter</i> CHECKED:	CAPACITOR, VARIABLE, CERAMIC		
DRAWN: Deierlein		DATE: 1-15-70	SIZE: A CODE IDENT. NO.: 82679 DWG NO.: CB176	SHEET: A	
NOTICE TO PERSONS RECEIVING THIS DRAWING THE TECHNICAL MATERIEL CORPORATION claims proprietary right in the material disclosed herein. This drawing is issued in confidence for engineering information only and may not be reproduced or used to manufacture anything thereon without permission from THE TECHNICAL MATERIEL CORPORATION to the user. This drawing is loaned for mutual assistance and is subject to recall at any time.					