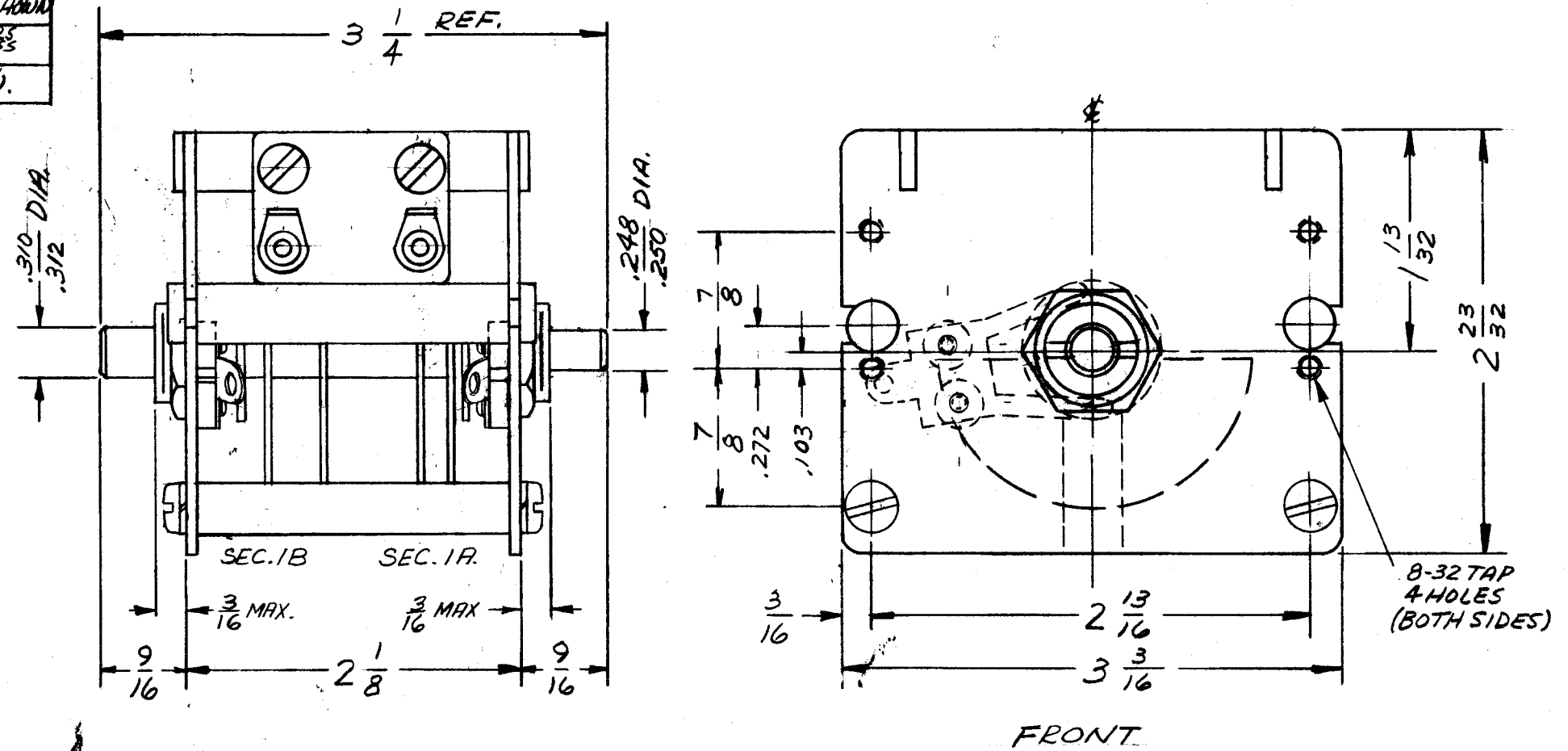


B
CB-162

THE CONTENTS OF THIS DRAWING ARE THE EXCLUSIVE PROPERTY OF THE TECHNICAL MATERIEL CORP. ITS UNAUTHORIZED USE OR REPRODUCTION IN WHOLE OR IN PART IS STRICTLY FORBIDDEN.

SERIES=		ROTATION (TO INCR CAP.)				STATOR INSULATION=						
NO. OF SECTIONS 1		COUNTER CLOCKWISE				CERAMIC						
SECT.	UNIT	ROTOR PLATES QTY.	MATL	STATOR PLATES QTY.	MATL	TYPE	AIR GAP.	MAX. CAP.	TEST POINTS	TOL.	LONG SIDE	SHORT SIDE
1	A	3		2		SLC	.0235				NONE	NONE
	B	5		4		SLC	.0235				NONE	NONE
ROTOR SHAFT		MATL~STEEL		FIN~CAD.PL.		LENGTH~AS SHOWN			DIA.~AS SHOWN			
FINISH		FRAME~CAD.PL.		ROTOR~STD		STATOR~STD			W/1 BESS MATL~BRASS FIN~STD			
HIGH END PLATES, AS SHOWN.												

	CCW ROTATION IN %	EFFECTIVE CAP. IN MMF	
		SECT. 1A	SECT. 1B
19°	0	0.0 -	0.0
	25	13.03 ± 1 ± 1%	26.05 ± 1 ± 1%
90°	50	26.06 "	52.01 "
	75	39.09 "	78.15 "
171°	95	52.12 "	104.20 "
MIN. AT 9°	MIN. AT 0	8.5 OR LESS	11.5 OR LESS



NOTICE TO PERSONS RECEIVING THIS DRAWING

THE TECHNICAL MATERIEL CORPORATION claims proprietary right in the material disclosed hereon. This drawing is issued in confidence for engineering information only and may not be reproduced or used to manufacture anything shown hereon without permission from THE TECHNICAL MATERIEL CORPORATION to the user. This drawing is loaned for mutual assistance and is subject to recall at any time.

NOTE: ROTOR CONTACTS PRESSURE TO BE NOT LESS THAN 30 GRAMS AT POINTS OF CONTACTS.

Property of:
THE TECHNICAL MATERIEL CORPORATION
MAMARONECK, NEW YORK

B	ROTOR CONTACT MOUNTING CLARIFIED	7-2-63	9428			
A	ADDED ROTOR CONTACT REINFORCING BARS	6-5-63	9231			
NOTE ADDED						
SYM	DESCRIPTION	DATE	CH. NO.	DRAFTS	CHECKER	ENG. APP.
UNLESS OTHERWISE SPECIFIED:						
DIMENSIONS ARE IN INCHES		SCALE:				
TOLERANCES ON		MAXIMUM ALLOWABLE TOLERANCES HAVE BEEN DETERMINED AND ANY DEVIATIONS WILL BE CAUSE FOR REJECTION.				
FRACTIONS ± 1/64		DECIMALS ± .005				
ANGLES ± 1/2°		REMOVE ALL BURRS AND SHARP EDGES				
		1		HER-1		1-11-61
		REQ. PER UNIT		MODEL		SECTION
				ASS'Y. NO.		DATE
				USED ON		

REQ.	ITEM	PART NO.	DESCRIPTION	SYMBOL
STOCK SIZE				
MATERIAL				
TYPE & TEMPER				
HEAT TREAT. SPEC.				
FINISH & SPEC. NO.				
DRAWN			CHECKED	FINAL APPROVAL
ELEC. DES. APP.			MECH. DES. APP.	

THE TECHNICAL MATERIEL CORP.
MAMARONECK, NEW YORK
CAPACITOR, OSCILLATOR
TUNING

AB
I. ANGER
CB-162 B