

CB-141 C

CAPACITANCE AVAILABLE		DIM. L ± 1/4
TMC CODE	CAP. IN MMFD	
1000	12 - 1000	9 15/16
1200	15 - 1200	10

CHART 1

VOLTAGE AVAILABLE	
TMC CODE	VOLTAGE (PEAK)
7.5	7.5 KV
10	10 KV
15	15 KV

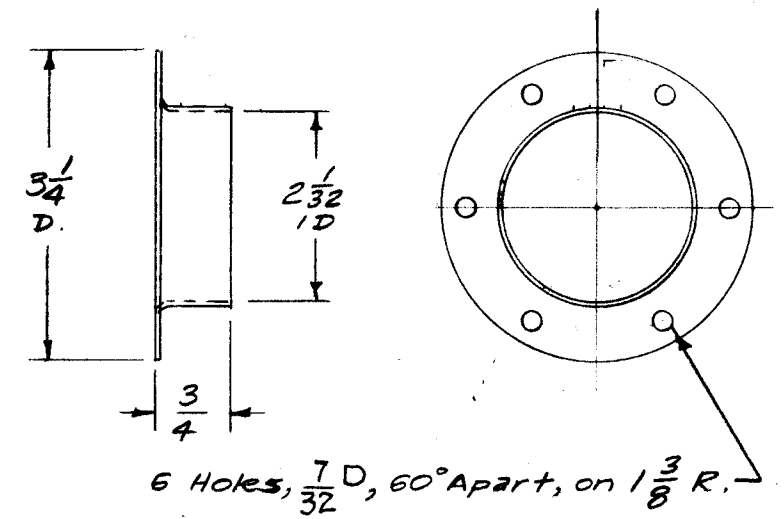
CHART 2

FLANGE ARRANGEMENT	
TMC CODE	ARRANGEMENT
A	NO FLANGES
B	NO VARIABLE END FLANGE, FIXED END FLANGE WELDED TO END

CHART 3

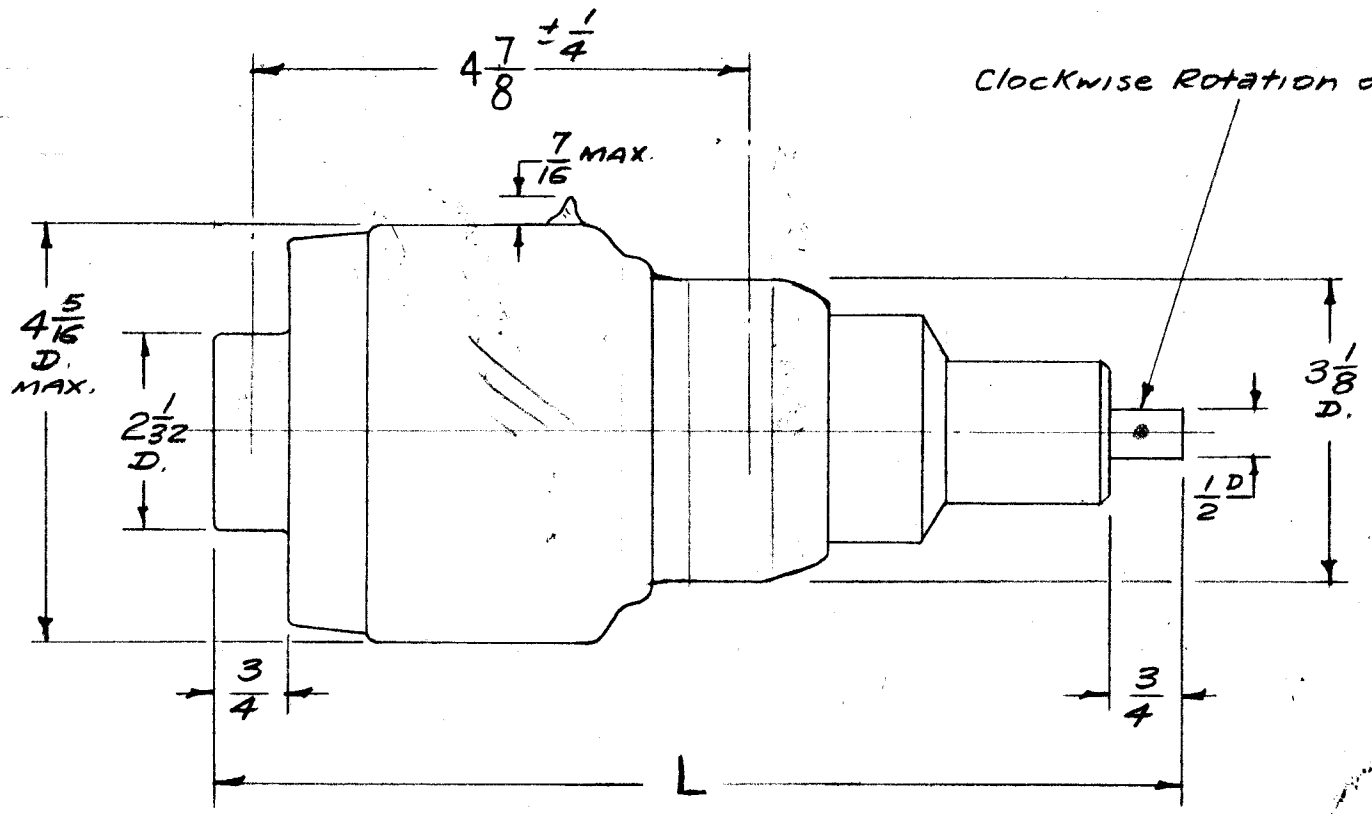
NOTE - Current Rating - 45 Amps RMS

Note - This Flange Required Only when called for in Part No, as per "B" Type Flange Arrangement.



FIXED END FLANGE

TYPE FM2LL (NO LOCKING DEVICE)
.062 Copper, Silver Plated.



Clockwise Rotation of Shaft Decreases Capacity.

NOTICE TO PERSONS RECEIVING THIS DRAWING

THE TECHNICAL MATERIEL CORPORATION claims proprietary right in the material disclosed hereon. This drawing is issued in confidence for engineering information only and may not be reproduced or used to manufacture anything shown hereon without permission from THE TECHNICAL MATERIEL CORPORATION to the user. This drawing is loaned for mutual assistance and is subject to recall at any time.

Property of:
THE TECHNICAL MATERIEL CORPORATION
MAMARONECK, NEW YORK

TMC PART NO. TO BE IN FOLLOWING FORM:

CB-141 - 1000 - 10 A

BASIC TMC PART NO.	MAX. CAPACITANCE DESIRED (in MMFD) SEE CHART # 1 TMC CODE	VOLTAGE DESIRED (in KV) SEE CHART 2 TMC CODE	FLANGE ARRANGEMENT DESIRED SEE CHART 3 TMC CODE
--------------------	---	--	---

Example: CB-141-1200-7.5A = Capacitor, Variable, Vacuum, 15 to 1200 MMFD., 7.5 KV, No Flanges.

REF. NOTE - When this Capacitor requires loose Mtg. Flanges, Use TMC Dwg. No. PO-185-3 for fixed end & PO-185-7 for Variable end.

ISSUE	ITEM	CHANGED FROM	DATE	CH. NO.	DRAFTS	CHECKER	ENG. APP.
C	3	ON CHART (DL Column Added)	8/10/61	5378	GDL	RUC	
	2	FLANGE HOLES WERE 3/16"					
	1	TYPE WAS FM2B					
B	3	ON VOLTAGE AVAILABLE IS WAS 12.15KV MAX					
	2	4 7/8 DIM WAS 5 3/16	5-15-61	4873	M.A.F.	JCB	
	1	O/A LENGTH WAS 10"					
A	1	FLANGE CHART CHGD. Ref Notes Added	9/18/59	1309	16	JCB	

TOLERANCES		SCALE: 5-401-4B (UCSXF)
DEC. DIM. ±		MAXIMUM ALLOWABLE TOLERANCES HAVE BEEN DETERMINED AND ANY DEVIATIONS WILL BE CAUSE FOR REJECTION. REMOVE ALL BURRS AND SHARP EDGES
FRAC. DIM. ± 1/32		
ANGULAR DIM. ± 1°		

REQ. PER UNIT	MODEL	PROJECT NO.	ASS'Y. NO.	DATE

REQ. ITEM	PART NO.	DESCRIPTION	SYMBOL
THE TECHNICAL MATERIEL CORP. MAMARONECK, NEW YORK			
STOCK SIZE		CAPACITOR, VARIABLE, VACUUM	
MATERIAL			
TYPE & TEMPER	HEAT TREAT. SPEC.	DRAWN	CHECKED
		16 4/27/59 JCB	ARB
FINISH & SPEC. NO.		ELEC. DES. APP.	MECH. DES. APP.
			CB-141 C