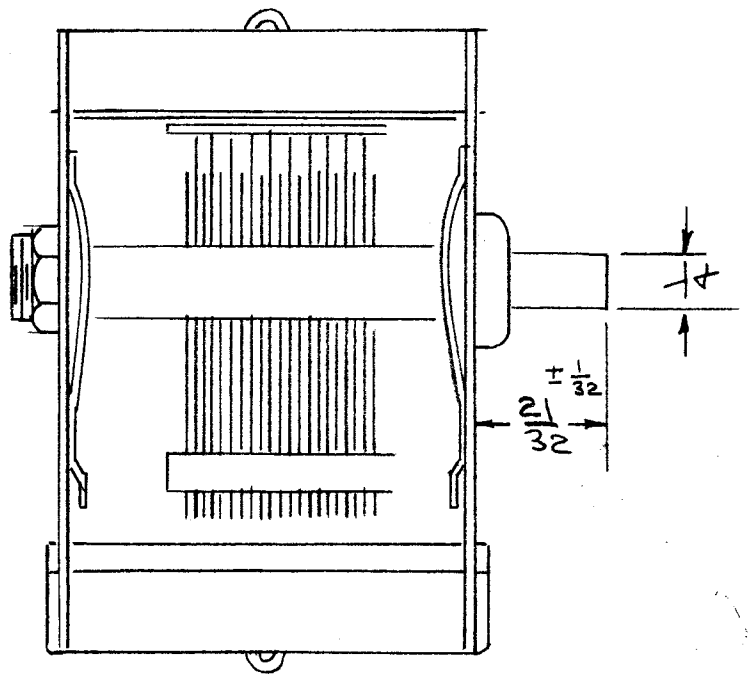
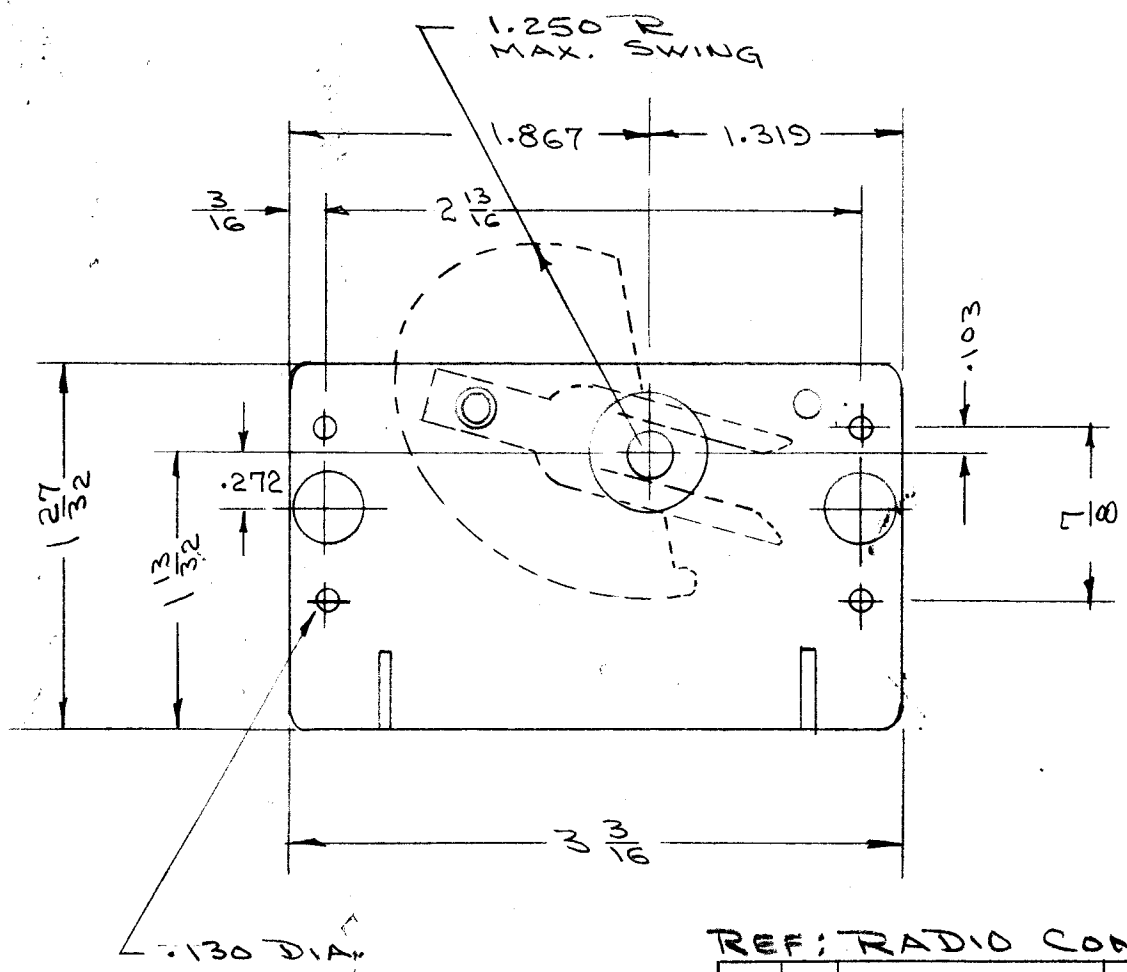
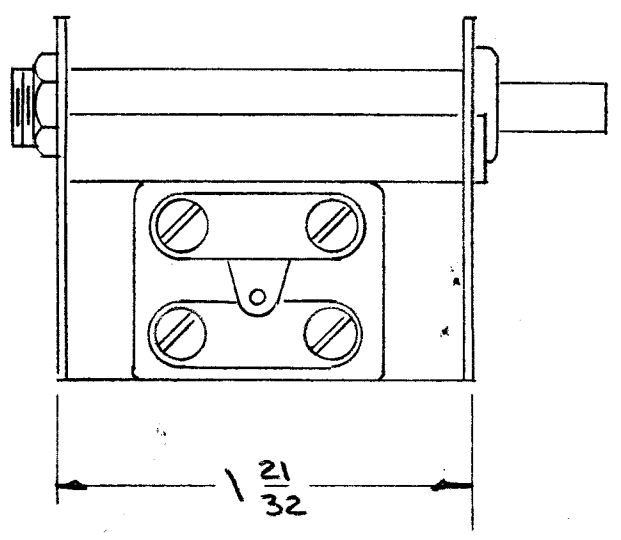


CB-134 B



SERIES 17 - TYPE K
 ONE SECTION
 COUNTER CLOCKWISE ROTATION FOR MAX. CAP.
 CERAMIC STATOR INSULATION
 SECTIONS: ONE
 STEEL ROTOR PLATES - 11
 STEEL STATOR PLATES - 10
 AIR GAP - .0235
 MAX CAP. - APPROX 282
 TEST POINTS - 25, 50, 75, 100%
 CAP. TOL: ACCORDING TO RADIO COND. CORP. SPEC.
 ROTOR SHAFT - C.R. STEEL
 WIPERS: SPRING BRASS - POS. AS SHOWN & SOLDER TO PLATES.
 FINISH: ALL PARTS - CADMIUM PLATED.

% ROTATION	21 PLATES
0	0
10	4.7
20	14.3
25	19.8
30	26.1
40	41.7
50	63.9
60	95.4
70	136.1
75	158.5
80	181.4
90	226.7
100	270.0
MIN.	12.5



NOTICE TO PERSONS RECEIVING THIS DRAWING

THE TECHNICAL MATERIEL CORPORATION claims proprietary right in the material disclosed herein. This drawing is issued in confidence for engineering information only and may not be reproduced or used to manufacture anything shown hereon without permission from THE TECHNICAL MATERIEL CORPORATION to the user. This drawing is loaned for mutual assistance and is subject to recall at any time.

Property of:
 THE TECHNICAL MATERIEL CORPORATION
 MAMARONECK, NEW YORK

REF: RADIO CONDENSER CORP

ISSUE	ITEM	CHANGED FROM	DATE	CH. NO.	DRAFTS	CHECKER	ENG. APP.
B	1	3/32 BALL RACE DIMENSION DELETED	6/28/57	2	JAC	QB	ARB
A	1	ROTOR SHAFT DIM. DELETED	6/19/57	1	JAC	QB	ARB

TOLERANCES: DEC. DIM. ±, FRAC. DIM. ±, ANGULAR DIM. ±

SCALE: MAXIMUM ALLOWABLE TOLERANCES HAVE BEEN DETERMINED AND ANY DEVIATIONS WILL BE CAUSE FOR REJECTION. REMOVE ALL BURRS AND SHARP EDGES

1	SBE-1	PROJECT NO.	ASS'Y. NO.	DATE
REQ. PER UNIT	MODEL	PROJECT NO.	ASS'Y. NO.	DATE
USED ON				

REQ. ITEM	PART NO.	DESCRIPTION	SYMBOL
THE TECHNICAL MATERIEL CORP. MAMARONECK, NEW YORK			
CONDENSER, VARIABLE AIR			
ONE SECTION			
MATERIAL		DRAWN	
TYPE & TEMPER		CHECKED	
HEAT TREAT. SPEC.		FINAL APPROVAL	
FINISH & SPEC. NO.		ELEC. DES. APP. MECH. DES. APP.	

DATE: 5-24-57

DRAWN: QB

CHECKED: QB

FINAL APPROVAL: ARB

SYMBOL: CB-134 B