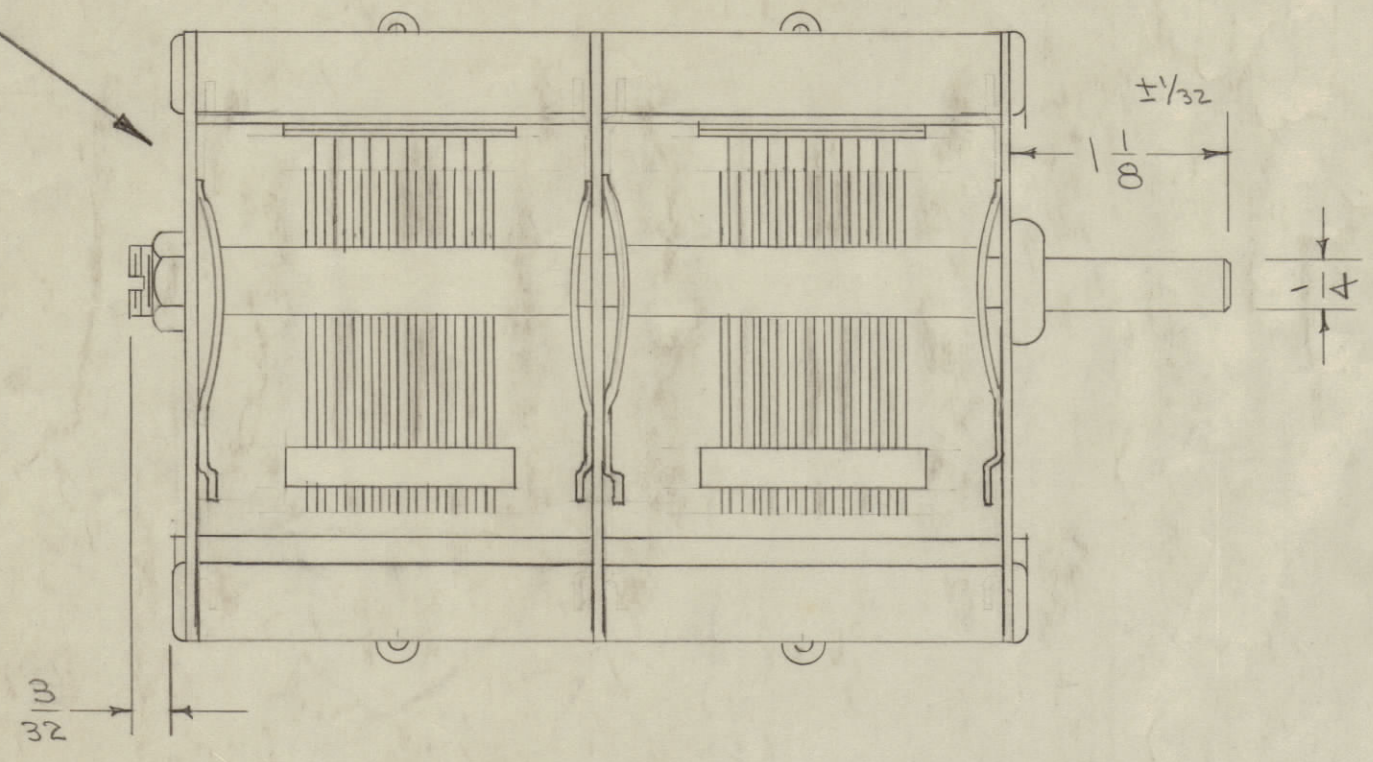
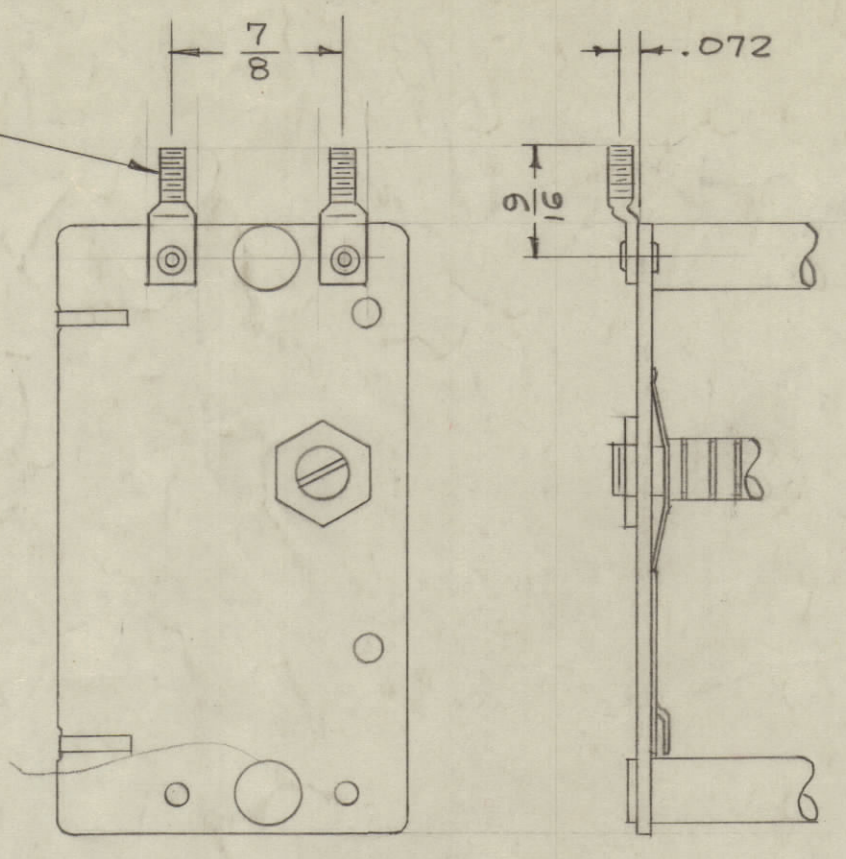


IF IT IS FOUND DESIRABLE TO CHANGE ANY TOLERANCE OR OTHER DETAIL SPECIFIED ON THIS DRAWING NOTIFY THE PURCHASER PROMPTLY.
 MAXIMUM ALLOWABLE TOLERANCES HAVE BEEN DETERMINED AND DEVIATIONS WILL BE CAUSE FOR REJECTION. REMOVE ALL BURRS AND SHARP EDGES

VIEW A-A



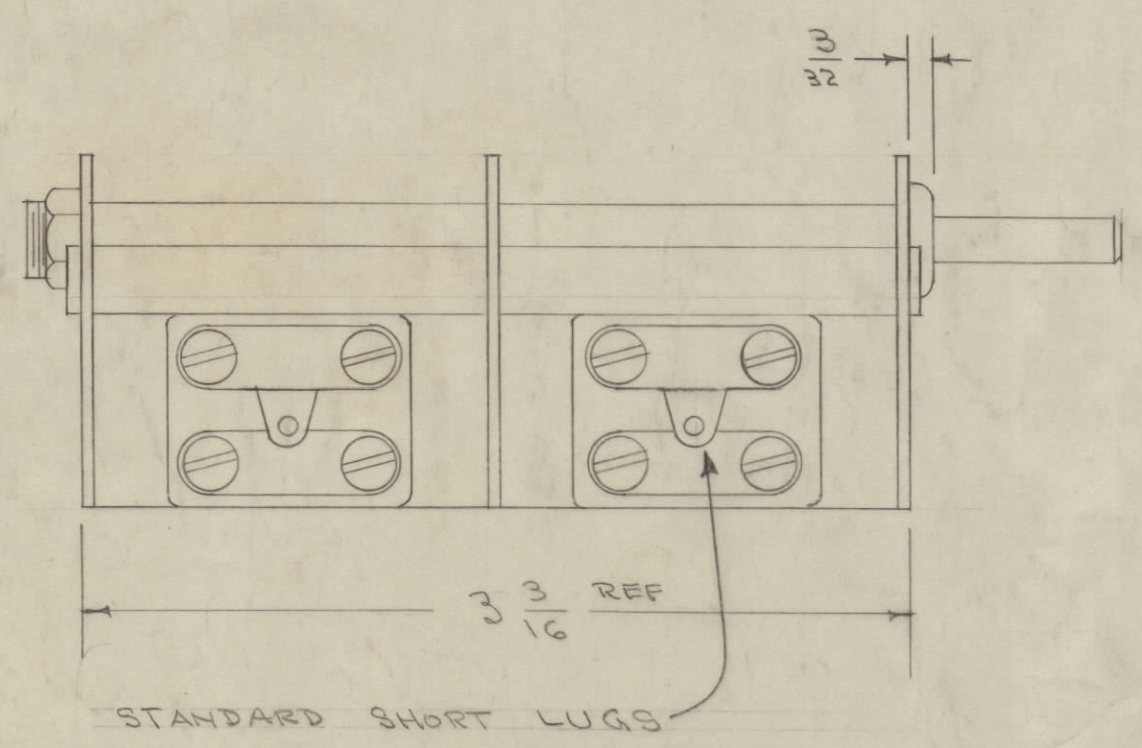
Lugs must be Equivalent to TMC Type SC-107-1. 2 Req.



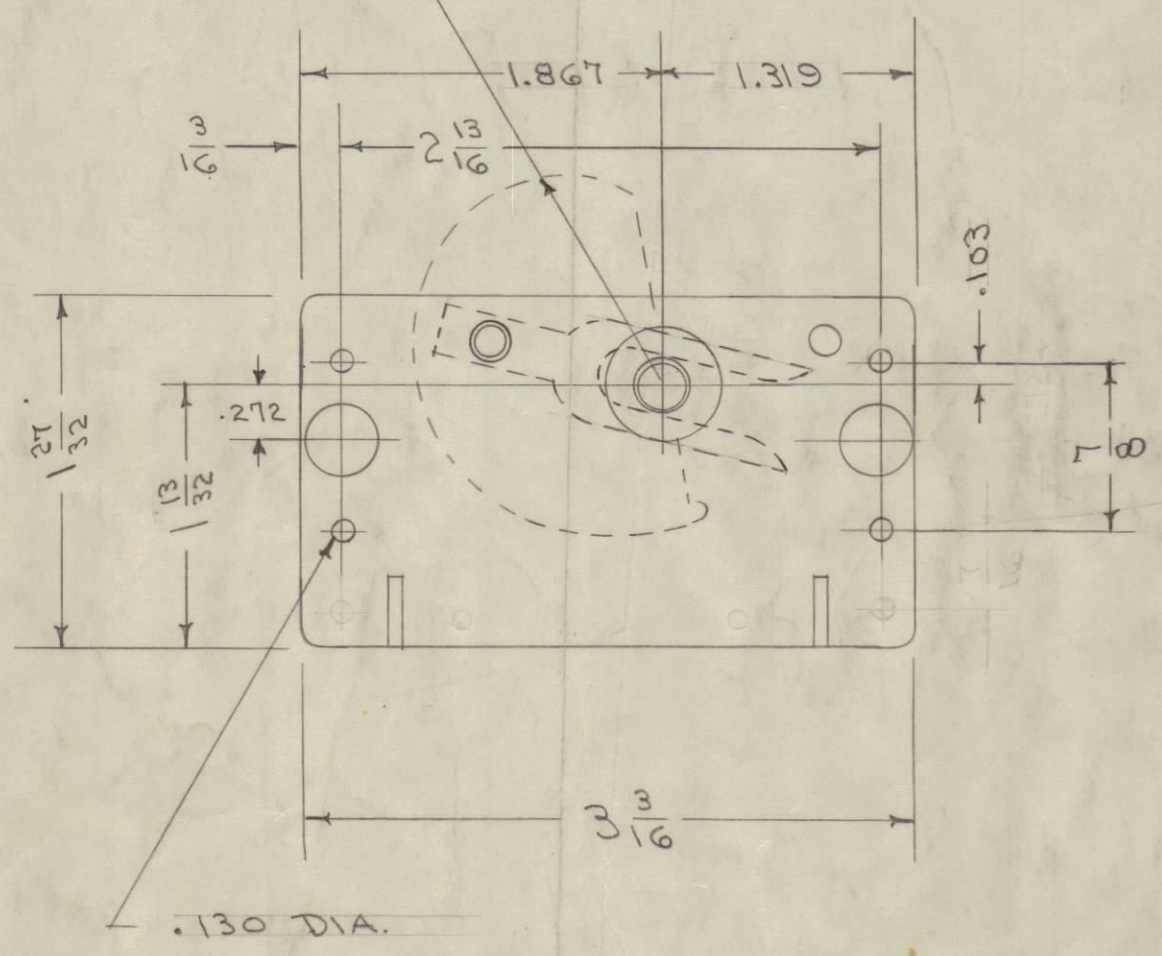
VIEW A-A FOR CB-127-1 ONLY (REAR PLATE)

% ROTATION	21 PLATE
0	0
10	4.7
20	14.3
25	19.8
30	26.1
40	41.7
50	63.9
60	95.4
70	136.1
75	158.5
80	181.4
90	226.7
100	270.0
MIN.	12.5

1.250 R MAX. SWING.



STANDARD SHORT LUGS



STANDARD LOW END PLATES

TMC NO.	DESC.	Used On	THIN Z	USED ON
CB-127	No Lugs	RTF		RTF
CB-127-1	with Lugs	SBE-1&2	See View A-A	

CB-127 C

SERIES 17 - TYPE K
 2 SECTIONS
 COUNTerclockwise ROTATION FOR MAX. CAP.
 CERAMIC STATOR INSULATION
 SECTIONS - 1 & 2
 STEEL ROTOR PLATES - 11
 STEEL STATOR PLATES - 10
 AIR GAP - .0235
 MAX. CAP. - APPROX. 282
 TEST POINTS - 25-50-75-100 %
 CAP. TOL: ACCORDING TO RADIO COND. CORP. SPECIFICATIONS.
 ROTOR SHAFT - COLD ROLLED STEEL
 1/8" LONG X 1/4" DIA.
 WIPERS - SPRING BRASS - POS. AS SHOWN, AND SOLDER TO PLATES
 FINISH - ALL PARTS - CADMIUM PLATE

REF.: RADIO CONDENSER CORP.

NOTICE TO PERSONS RECEIVING THIS DRAWING

THE TECHNICAL MATERIEL CORPORATION claims proprietary right in the material disclosed hereon. This drawing is issued in confidence for engineering information only and may not be reproduced or used to manufacture anything shown hereon without permission from THE TECHNICAL MATERIEL CORPORATION to the user. This drawing is loaned for mutual assistance and is subject to recall at any time.

Property of:
 THE TECHNICAL MATERIEL CORPORATION
 MAMARONECK, NEW YORK

ISSUE	ITEM	CHANGED FROM	DATE	CN. NO.	DRAFTS	CHECKER	ENG. APP.
C	1	LUGS & CHART ADDED CB-127 Remains CB-127	3/11/58	3	16	HQ	[Signature]
B	1	WIPERS RELOCATED	4/10/56	2	13	[Signature]	[Signature]
A	1	% ROTATION MIN. WAS 10.0	11-9-55	1	13	[Signature]	[Signature]

REQ PER UNIT	MODEL	PROJECT NO.	ASS'Y. NO.	DATE
1	SBE-3		AP-100	11-25-59
1	RTF-2	MULT.		12-9-58
1	RTF-GPT-150			5-23-58
1	SBE-2		A-1516	5-2-58
1	SEE CHART			10-27-55

REQ.	ITEM	PART NO.	DESCRIPTION	SYMBOL
THE TECHNICAL MATERIEL CORP. MAMARONECK, NEW YORK				
CONDENSER, VARIABLE AIR				
MATERIAL		WEIGHT PER PC.		
TYPE & TEMPER		CDD-6/27/55 O.I.P.		
HEAT TREAT. SPEC.		DRAWN ELEC. DES. APP. MECH. DES. APP.		
FINISH & SPEC. NO.		CHECKED FINAL APPROVAL		
		A.J.J.		
		CB-127 C		