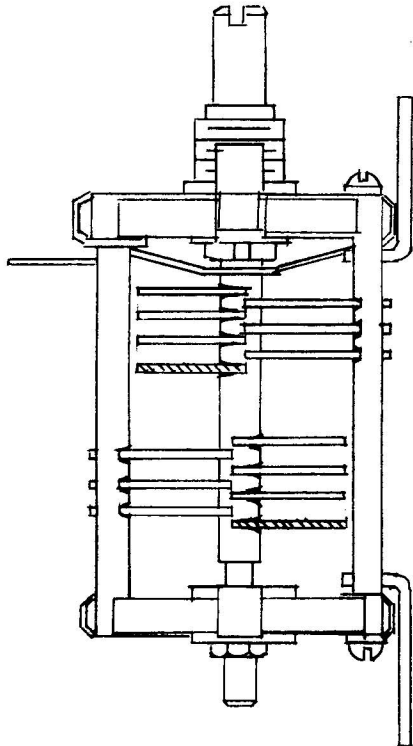
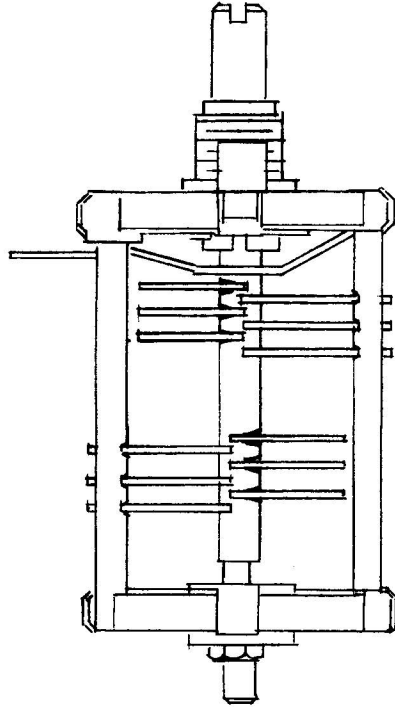


IF IT IS FOUND DESIRABLE TO CHANGE ANY TOLERANCE OR OTHER DETAIL SPECIFIED ON THIS DRAWING NOTIFY THE PURCHASER PROMPTLY.

MAXIMUM ALLOWABLE TOLERANCES HAVE BEEN DETERMINED AND DEVIATIONS WILL BE CAUSE FOR REJECTION. REMOVE ALL BURRS AND SHARP EDGES



CB-103-1
(BEFORE MODIFICATION)
REMOVE MOUNTING BRACKETS.
REMOVE REAR ROTOR PLATE
(SHADED) OF EACH SECTION
TO MAKE CB-124 SHOWN AT RIGHT.



45-24.5 μ f
CB-124
(AFTER MODIFICATION)

REQ. PER UNIT	MODEL	PROJECT NO.	USED ON
1	FSS		
		ASS'Y. NO.	DATE
			8-3-55

CB-124 A

REQ. ITEM	PART NO.	DESCRIPTION	SYMBOL
CB-103-1		THE TECHNICAL MATERIEL CORP.	
STOCK SIZE		MAMARONECK, NEW YORK	
MATERIAL	WEIGHT PER PC.	CAPACITOR, VAR., AIR	
		CB	FSS
TYPE & TEMPER		CDR P-3-SS	KZ
HEAT TREAT. SPEC.		DRAWN	ELEC. DES. APP. MECH. DES. APP.
FINISH & SPEC. NO.		CHECKED	A. J. J.
			FINAL APPROVAL
			CB-124 A

ISSUE	VALUE ADDED	DATE	CN. NO.	DRAFTS CHECKER	ENG. APP.
A		10/2/55	1	PB	KZ ATT
TOLERANCES					
SCALE					
DEC. DIM. \pm					
FRAC. DIM. \pm					
ANGULAR DIM. \pm					
DRILL, PUNCH, COMMERCIAL STOCK SIZES AND MANUFACTURERS TOLERANCES ARE NOT INCLUDED.					