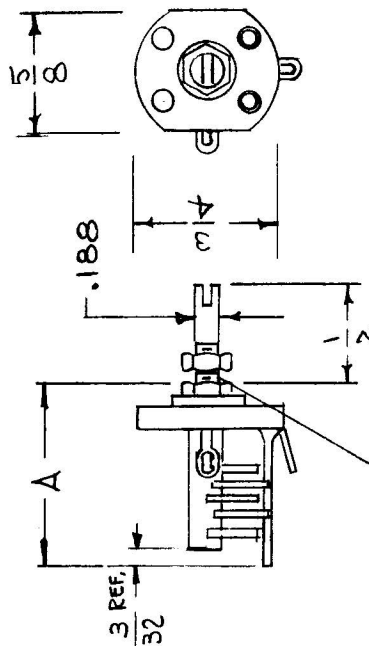


# STANDARD DRAWING

IF IT IS FOUND DESIRABLE TO CHANGE ANY TOLERANCE OR OTHER DETAIL SPECIFIED ON THIS DRAWING NOTIFY THE PURCHASER PROMPTLY.

MAXIMUM ALLOWABLE TOLERANCES HAVE BEEN DETERMINED AND DEVIATIONS WILL BE CAUSE FOR REJECTION. REMOVE ALL BURRS AND SHARP EDGES

T.M.C. NO.	CAT. NO.	TYPE NO.	NOMINAL MAX	CAP. MIN. MUF	NO. PLATES	"A"
CB-122-1	160-102	5M11	5.0	1.5	5	45/64
" -2	160-104	9M11	8.7	1.8	9	13/16
" -3	160-107	15M11	14.2	2.3	15	1"
" -A	160-110	20M11	19.6	2.7	21	1-11/64



1/A X 32 THD.

FLATTED TOP & BOTTOM TO 3/16

REF: E.F. JOHNSON CO. TYPE M11

REQ. PER UNIT	MODEL	PROJECT NO.	USED ON
			CB-122
		ASS'Y. NO.	DATE

REQ. ITEM	PART NO.	DESCRIPTION	SYMBOL
		THE TECHNICAL MATERIEL CORP.	
		MAMARONECK. NEW YORK	
		CAPACITOR, TYPE M	
		STOCK SIZE	
		MATERIAL	
		WEIGHT PER PC.	
		TYPE & TEMPER	
		ELEC. DES. APP.	
		MECH. DES. APP.	
		CHECKED	
		FINAL APPROVAL	
		FINISH & SPEC. NO.	

3	1" DIM DELETED FROM CHART	11-	7585		
2	1/2" DIM ADDED TO CHART	1-	62		
1	3/32 REF DIM ADDED				
A	1 IN CB-122-4-14 3/4 WAS 1 3/4	4-12-60	2114		
ISSUE ITEM	CHANGED FROM	DATE	CN. NO.	DRAFTS CHECKER	ENG. APP.
TOLERANCES					
SCALE					
DRILL, PUNCH, COMMERCIAL STOCK SIZES AND MANUFACTURERS TOLERANCES ARE NOT INCLUDED.					