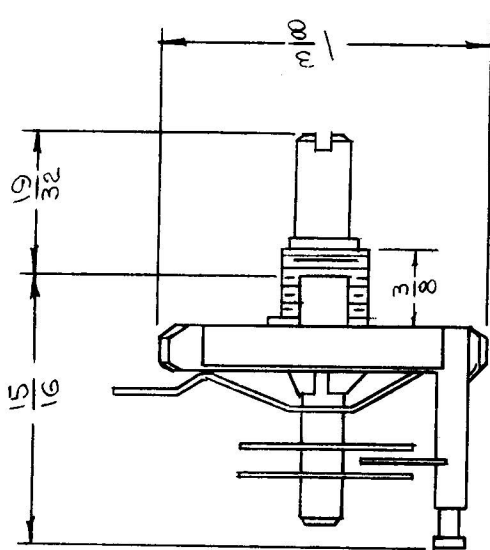


IF IT IS FOUND DESIRABLE TO CHANGE ANY TOLERANCE OR OTHER DETAIL SPECIFIED ON THIS DRAWING NOTIFY THE PURCHASER PROMPTLY.		USED ON	
MAXIMUM ALLOWABLE TOLERANCES HAVE BEEN DETERMINED AND DEVIATIONS WILL BE CAUSE FOR REJECTION. REMOVE ALL BURRS AND SHARP EDGES		MODEL	PROJECT NO.
		VOX	
		RTE	
REQ. PER UNIT	ASSY. NO.	DATE	
1		5-19-58	
1		5-23-58	

CB 121 B



This Capacitor shall be a conventional

Mfgs P/N 10115 (TMC CB 102-1) but must meet the following additional Specifications.

1. The shaft torque shall not exceed 3" ounces.
2. There shall be a minimum of rotor wobble.

The Capacitor shall then be known by the

Mfgs P/N 167-101-7

NOMINAL CAPACITY	
MIN	MAX
2.2 pF	10 pF
GUARANTEED CAPACITY	
MIN	MAX
3.4 pF	9 pF

B	CHG'D JOHNSON TO MFG. P/N ADD CAP. INFO.	2-12-67	17818	RME	<i>[Signature]</i>
A	REF WBS 10115 SP	10/24/57		JR	<i>[Signature]</i>
ISSUE ITEM	CHANGED FROM	DATE	CN. NO.	DRAFTS CHECKER	ENG. APP.
TOLERANCES					
SCALE S401-47					
DRILL, PUNCH, COMMERCIAL STOCK SIZES AND MANUFACTURERS TOLERANCES ARE NOT INCLUDED.					
ALL OTHERS	DEC. DIM. ±	FRAC. DIM. ±	ANGULAR DIM. ±		

REQ. ITEM	PART NO.	DESCRIPTION	SYMBOL
		THE TECHNICAL MATERIEL CORP.	
STOCK SIZE		MAMARONECK. NEW YORK	
MATERIAL	WEIGHT PER PC.	CAPACITOR, VARIABLE	
TYPE & TEMPER		TUNING	
HEAT TREAT. SPEC.		ELEC. DES. APP.	MECH. DES. APP.
FINISH & SPEC. NO.		<i>[Signature]</i>	<i>[Signature]</i>
CHECKED		A.J.J.	
FINAL APPROVAL			
		CB 121	B