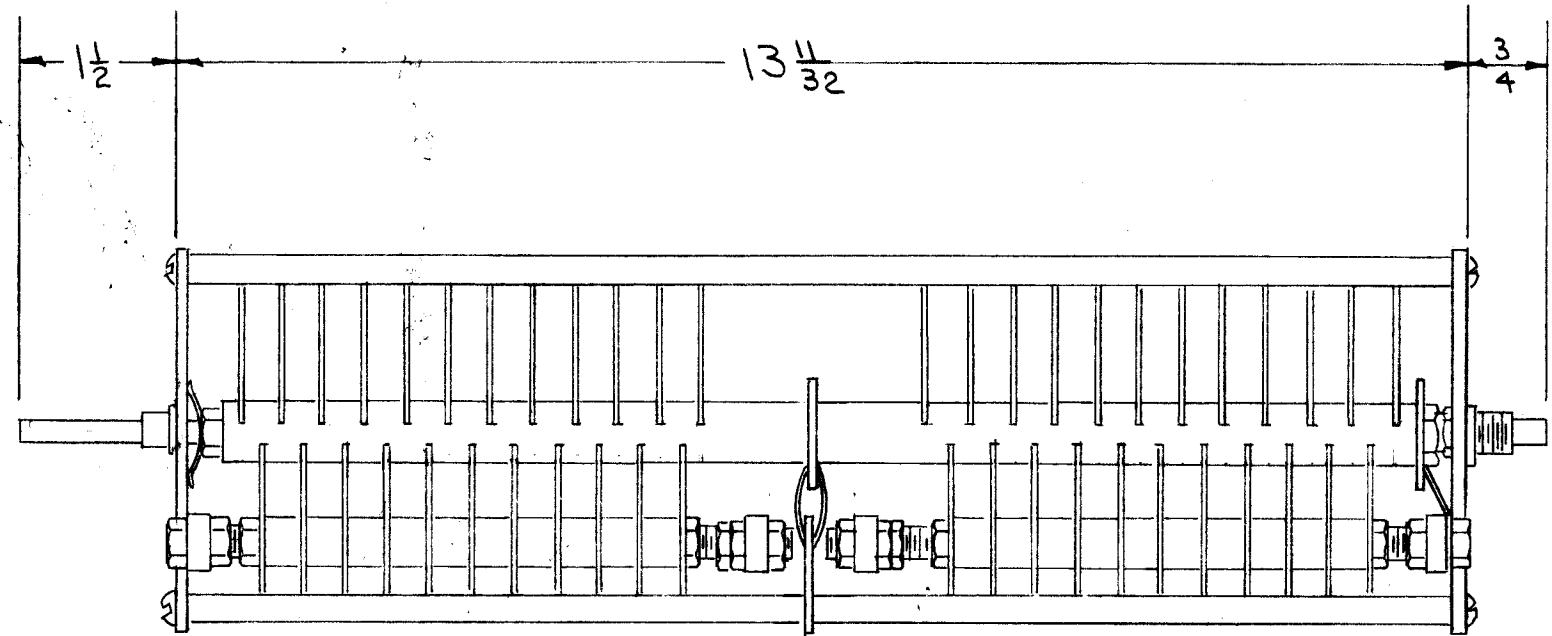
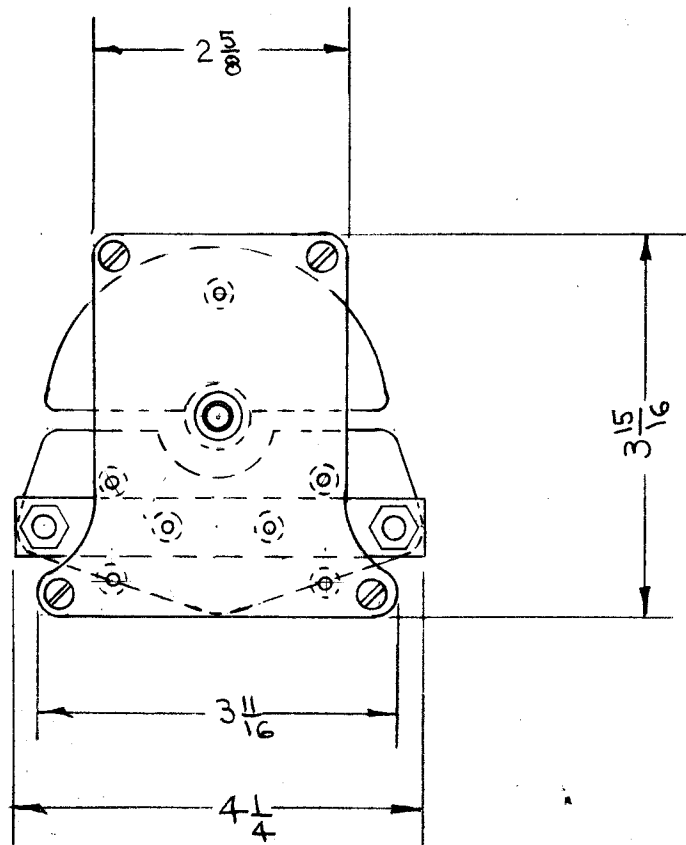


IF IT IS FOUND DESIRABLE TO CHANGE ANY TOLERANCE OR OTHER DETAIL SPECIFIED ON THIS DRAWING NOTIFY THE PURCHASER PROMPTLY.

MAXIMUM ALLOWABLE TOLERANCES HAVE BEEN DETERMINED AND DEVIATIONS WILL BE CAUSE FOR REJECTION. REMOVE ALL BURRS AND SHARP EDGES

TMC NO	JOHNSON CAT. NO.	JOHNSON PART NO	CAP. PER SEC		SPACING	NO. PLATES
			MAX.	MIN.		
CB-110-1	150DD 70	153-511	151	31	.175"	23

CB-110



NOTICE TO PERSONS RECEIVING THIS DRAWING

THE TECHNICAL MATERIEL CORPORATION claims proprietary right in the material disclosed hereon. This drawing is issued in confidence for engineering information only and may not be reproduced or used to manufacture anything shown hereon without permission from THE TECHNICAL MATERIEL CORPORATION to the user. This drawing is loaned for mutual assistance and is subject to recall at any time.

Property of:
THE TECHNICAL MATERIEL CORPORATION
MAMARONECK, NEW YORK

NOTE

ALL Dimensions Are For Ref. Only.

REF: E.F. JOHNSON Co.

REQ.	ITEM	PART NO.	DESCRIPTION	SYMBOL
			THE TECHNICAL MATERIEL CORP. MAMARONECK. NEW YORK	
			CAPACITOR	
			VARIABLE, AIR	
			TYPE & TEMPER	
			HEAT TREAT. SPEC.	
			FINISH & SPEC. NO.	
			STOCK SIZE	
			MATERIAL	
			WEIGHT PER PC.	
			DRAWN	
			CHECKED	
			ELEC. DES. APP.	
			MECH. DES. APP.	
			FINAL APPROVAL	
				CB-110

ISSUE	ITEM	CHANGED FROM	DATE	CN. NO.	DRAFTS	CHECKER	ENG. APP.
TOLERANCES				SCALE:			
ALL OTHERS	DEC. DIM. ±	DRILL, PUNCH, COMMERCIAL STOCK					
	FRAC. DIM. ±	SIZES AND MANUFACTURERS					
	ANGULAR DIM. ±	TOLERANCES ARE NOT INCLUDED.					
		MODEL	PROJECT NO.	ASS'Y. NO.	DATE		

USED ON