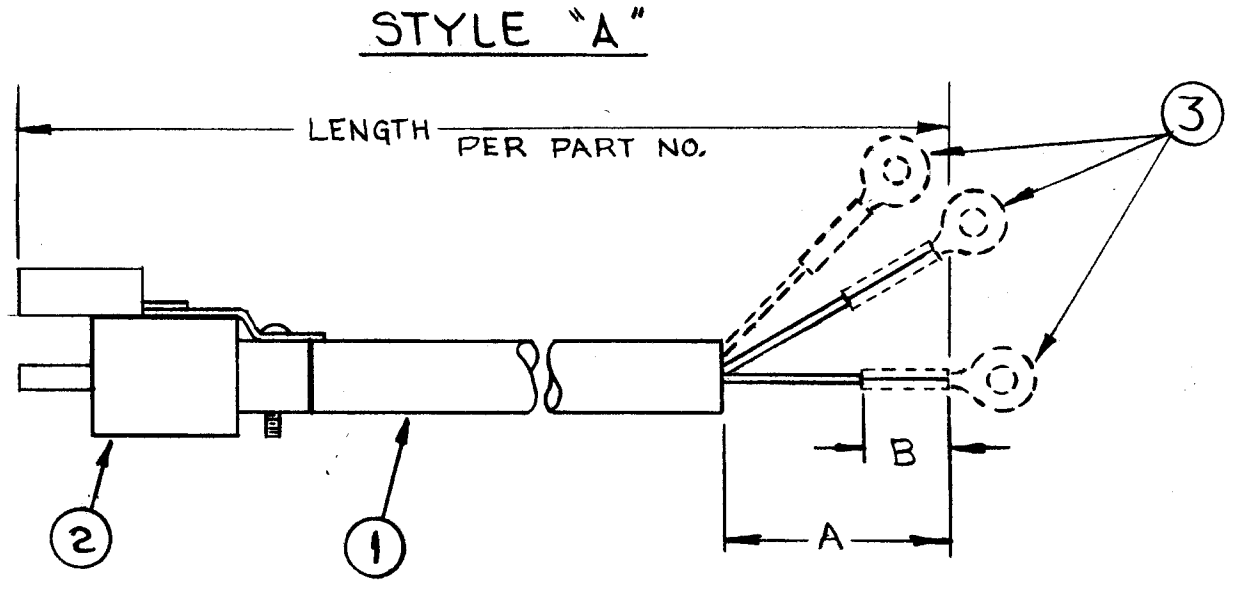


TMC PART NUMBER	STYLE	DIMENSIONS		ITEM NO. 1	ITEM NO. 3	NO. OF CONDUCTORS
		A	B			
CA953-1	A	1.50	STRIP AND TIN 1/2	WI121-1	NONE	2
CA953-2	A	6.00	STRIP AND TIN 1/2	WI121-10	TE155-34168	3
CA953-3	A	1.75	STRIP AND TIN 3/4	WI121-9	NONE	3

REVISIONS						
SYM	DESCRIPTION	DATE	E.M.N. NO.	DRAFT	CHKD	APPD
X	EXPER. RELEASE	11-13-64	X			
X	IT. 3 & TMC EXAMPLE ADDED.	11-20-64	X			
<del>Ø</del>	ORIGINAL RELEASE FOR PRODUCTION	11-30-64	<del>Ø</del>			
A	ON CHART CA953-2 ADDED	1-21-66	15588	G.D.L.		
B	ON CHART -2 "A" DIM WAS 1 1/2	4-28-66	16178	W.H.W.		
C	CA953-3 ADDED, COLUMN(B) CLARIFIED	7-23-66	16888	A.H.		
D	"A" DIMENSIONS CHG. TO DECIMAL. LENGTH WAS INCHES	4-19-67	18129	L.A.K.		

D  
CA953



TMC PART NO. TO BE IN THE FOLLOWING FORM:

**CA953-1-5.25**

BASIC TMC PART NO.

LENGTH IN FEET  
EXPRESS TO TWO (2)  
DECIMAL PLACES

X	3	SEE CHART	TERMINAL, LUG	
1	2	PL218	CONNECTOR, PLUG, MALE, AC	
X	1	SEE CHART	CABLE, POWER	
REQ'D.	ITEM	PART NUMBER	DESCRIPTION	SYMBOL

LIST OF MATERIAL

MATERIAL	THE TECHNICAL MATERIEL CORP. MAMARONECK, NEW YORK			
FINISH	TITLE CABLE, ASSEMBLY, POWER, AC			
UNLESS OTHERWISE SPECIFIED DIMENSIONS ARE IN INCHES AND INCLUDE CHEMICALLY APPLIED OR PLATED FINISHES	DRAWN	DATE	FINAL APPROVAL	
	CHECKED	DATE	DATE	
DECIMALS .X ± .05 .XX ± .01 .XXX ± .005	TOLERANCES	FRACTIONS ± 1/64 ANGLES ± 0° 30'	ELECT. DES.	DATE
			MECH. DES.	DATE
			SHEET	REV. LTR.

STANDARD DRAWING

1	COPA-2	
Q'TY./UNIT	MODEL USED ON	ASS'Y. NO.
SCALE	CODE	
	A	

THE CONTENTS OF THIS DRAWING ARE THE EXCLUSIVE PROPERTY OF THE TECHNICAL MATERIEL CORP. ITS UNAUTHORIZED USE OR REPRODUCTION IN WHOLE OR IN PART IS STRICTLY FORBIDDEN.

NOTES