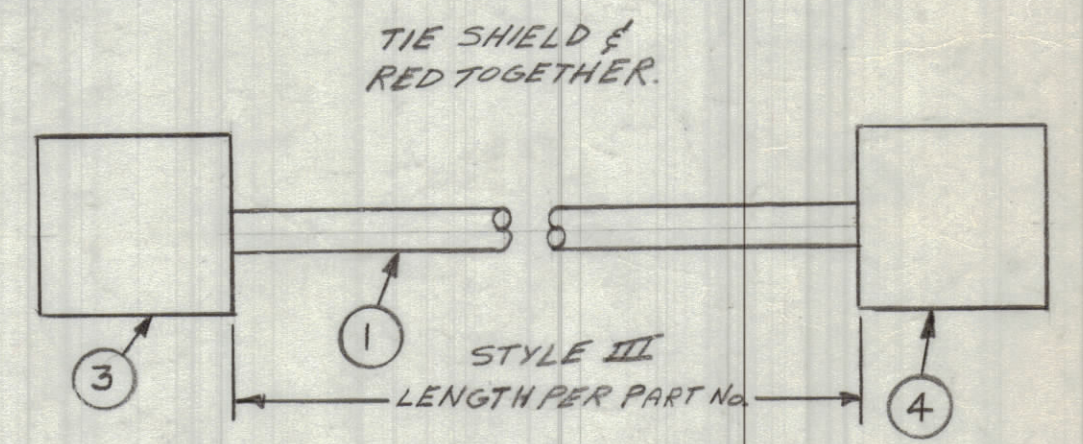
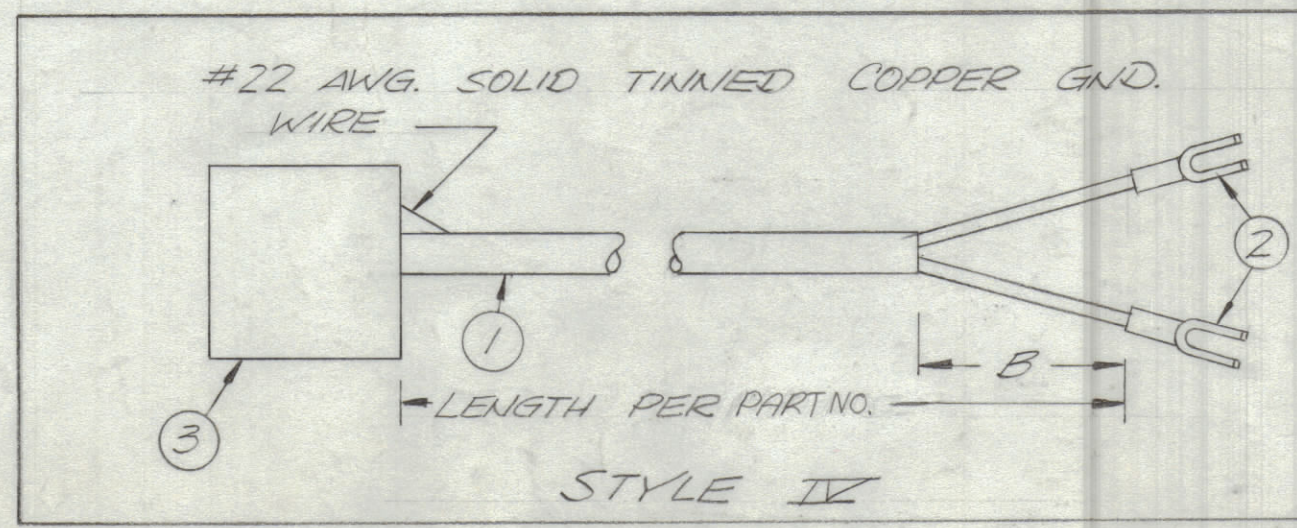
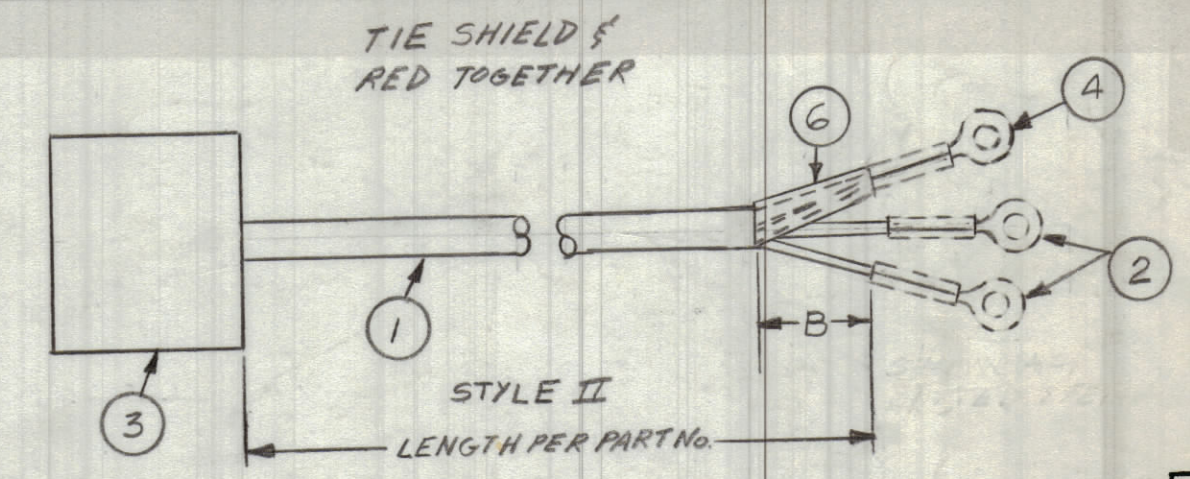
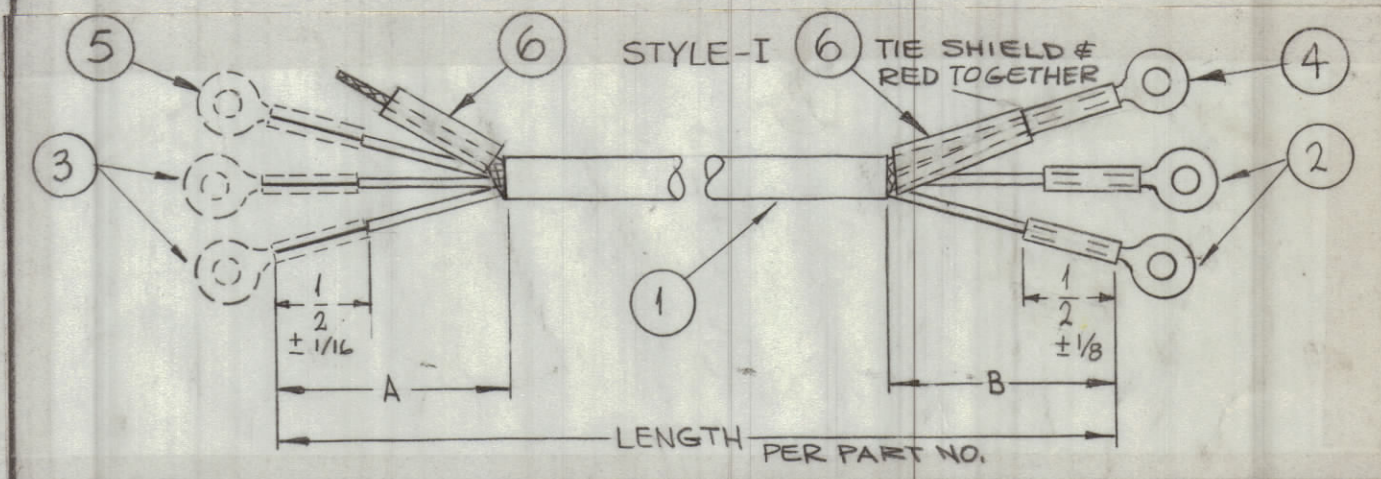


TMC PART NO.	STYLE	DIMENSION		WIRE ITEM 1	NO. OF COND.	ITEM 2 TERMINATION	ITEM 3 TERMINATION	ITEM 4	ITEM 5	ITEM 6
		A	B							
CA950-1	I	G	G	WI142-12	3/SHLD	TE159-34160	NONE STRIP & TIN	TE159-34160	NONE STRIP & TIN	PX100-1-106
CA950-2	I	G	G	WI142-12	3/SHLD	TE159-34160	NONE STRIP & TIN	TE155-34170	TE155-34170	PX100-1-106
CA950-3	II	-	3	WI142-12	3/SHLD	TE159-34161	JJ-297	TE155-34170	NONE	PX100-1-106
CA950-4	I	5	3	WI142-12	3/SHLD	TE159-32957	TE159-34161	TE155-34170	TE155-34168	PX100-1-106
CA950-5	I	3	3	WI142-12	3/SHLD	TE155-34170	TE155-34170	TE155-34170	TE155-34170	PX100-1-106
CA950-6	IV	-	3	WI142-1	2/COND GND WIRE	TE120-2	PL 218	-	-	PX100-1-106

REVISIONS						
ZONE	SYM	DESCRIPTION	DATE	E.M.N. NO.	DRAFT	CHKD
	A	REVISED & REDRAWN FROM 2 SIZE.	12-21-64	12951	92	82
	B	STYLES II, III, IT 3 & 4 OR CONNECTOR ADDED	11/6/65	15133	*1.1	90
	C	CA950-3 & CA950-4 ADDED TO P/N CHT.				
	C	ADD "IN INCHES" TO P/N EXAMPLE	12/11/66	17339	RME	90
	D	ADD PART NO. CA950-5	1/8/68	18700	HEJ	EFH
	E	ADD -6 AND STYLE IV	9/27/70	20001	GE	



REQ'D.	ITEM	PART NUMBER	DESCRIPTION	SYMBOL
X	6	SEE CHART	INSULATION, SLEEVING	
1	5	SEE CHART	TERMINAL, LUG	
1	4	SEE CHART	TERMINAL, LUG OR CONNECTOR	
X	3	SEE CHART	TERMINAL, LUG OR CONNECTOR	
2	2	SEE CHART	TERMINAL, LUG	
X	1	SEE CHART	CABLE, POWER	

STURMER LIST OF MATERIAL			
MATERIAL	FINISH	THE TECHNICAL MATERIEL CORP. MAMARONECK, NEW YORK	
TITLE		DATE	FINAL APPROVAL
CABLE ASS'Y, POWER-AC, 3 COND.		11-2-64	RDI
DRAWN SRC		DATE	
CHECKED @		DATE	
ELECT. DES.		DATE	
MECH. DES.		DATE	
SHEET		DATE	

TMC PART NO. EXAMPLE  
**CA 950-1 - 5.25**

BASIC TMC PART NO.      LENGTH REQ. IN INCHES EXPRESS TO TWO DEC. PLACES.

NOTES

**STANDARD DRAWING**

1 COPA-2

Q'TY./UNIT      MODEL USED ON      ASS'Y. NO.

SCALE      CODE      -

THE CONTENTS OF THIS DRAWING ARE THE EXCLUSIVE PROPERTY OF THE TECHNICAL MATERIEL CORP. ITS UNAUTHORIZED USE OR REPRODUCTION IN WHOLE OR IN PART IS STRICTLY FORBIDDEN.

UNLESS OTHERWISE SPECIFIED DIMENSIONS ARE IN INCHES AND INCLUDE CHEMICALLY APPLIED OR PLATED FINISHES		DATE	DATE
DECIMALS	FRACTIONS	11-2-64	
.X ± .05	± 1/64	DATE	
.XX ± .01	ANGLES ± 0° 30'	DATE	
.XXX ± .005		DATE	

CA950