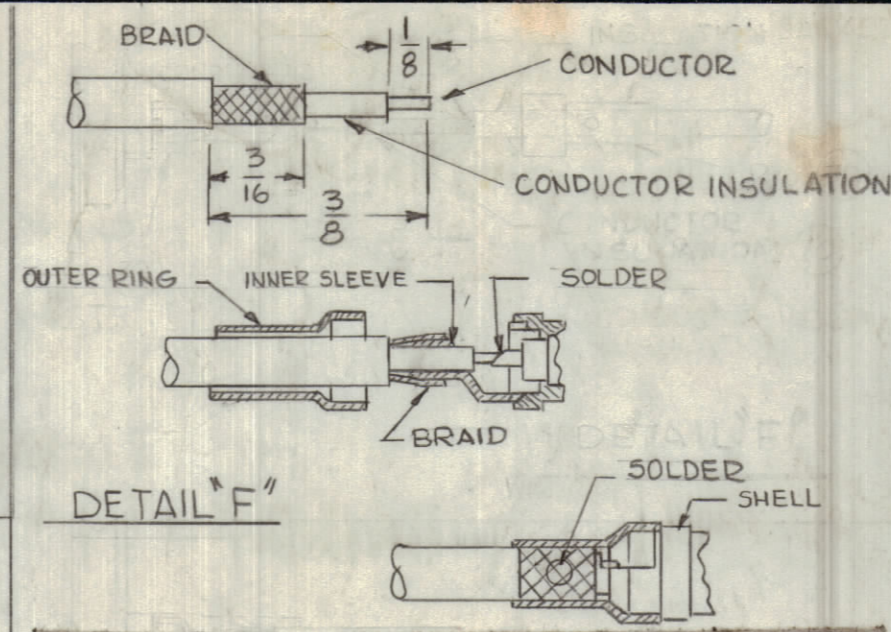
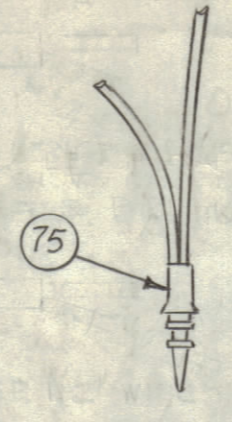
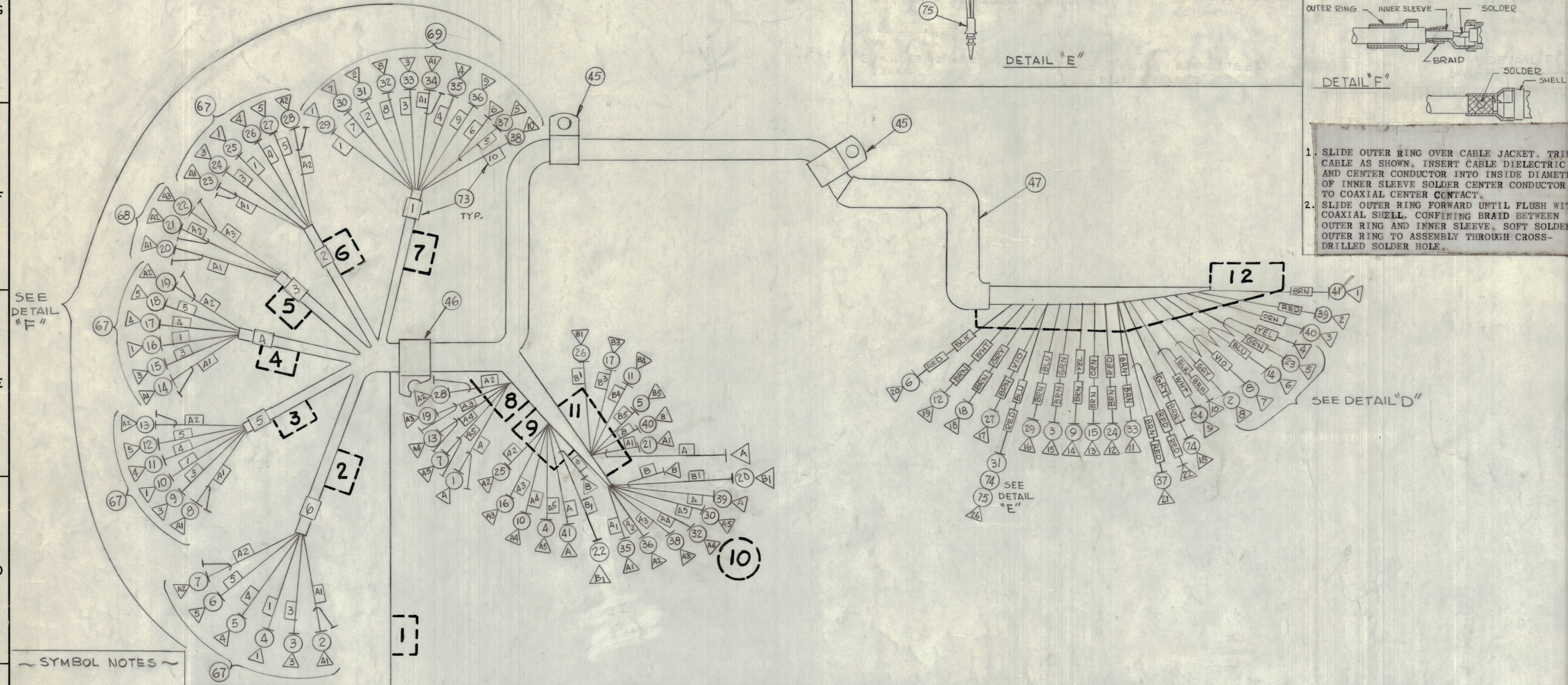


- NOTE -  
INSERT ITEMS 31 & 74 WIRES INTO  
TAPERED PIN ITEM 75 AND CRIMP.



1. SLIDE OUTER RING OVER CABLE JACKET. TRIM CABLE AS SHOWN. INSERT CABLE DIELECTRIC AND CENTER CONDUCTOR INTO INSIDE DIAMETER OF INNER SLEEVE SOLDER CENTER CONDUCTOR TO COAXIAL CENTER CONTACT.
2. SLIDE OUTER RING FORWARD UNTIL FLUSH WITH COAXIAL SHELL. CONFIRM BRAID BETWEEN OUTER RING AND INNER SLEEVE. SOFT SOLDER OUTER RING TO ASSEMBLY THROUGH CROSS-DRILLED SOLDER HOLE.

		REVISIONS					
ZONE	SYM	DESCRIPTION	DATE	E.M.N. NO.	DRAFT	CHKD	APPD
	X	EXP. RELEASE	10-26-64		G.D.L.	M.P.	
	X1	ITEM 75 ADDED	10-28-64		G.D.L.	M.P.	
	X2	ITEMS 74 & 75 ADDED. DETAIL 'E' MODIFIED	12-30-64		G.D.L.	M.P.	
	X3	ITEMS 29, 22 & 21 LENGTH CHANGED	12-24-64	X3			
	Ø	ORIGINAL RELEASE FOR PROD.	12-23-64				



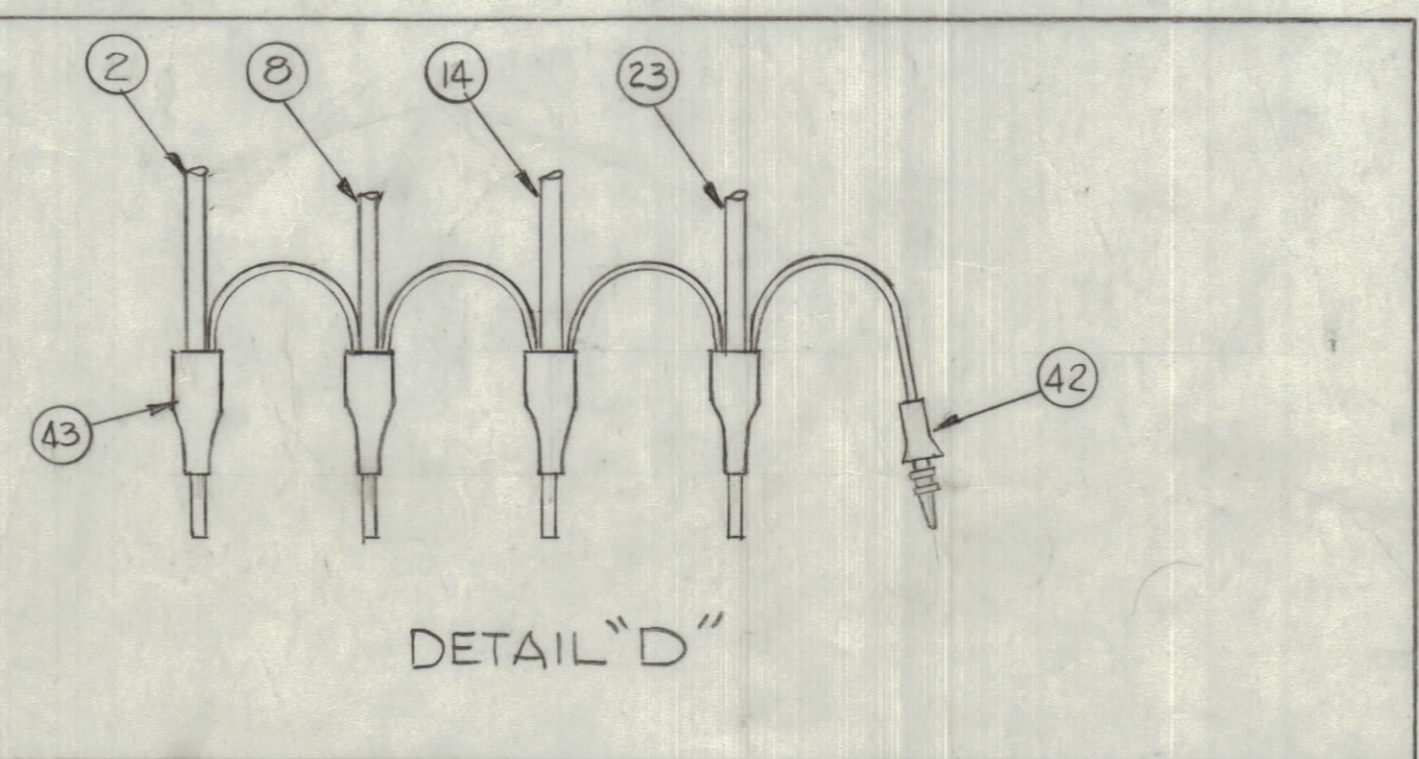
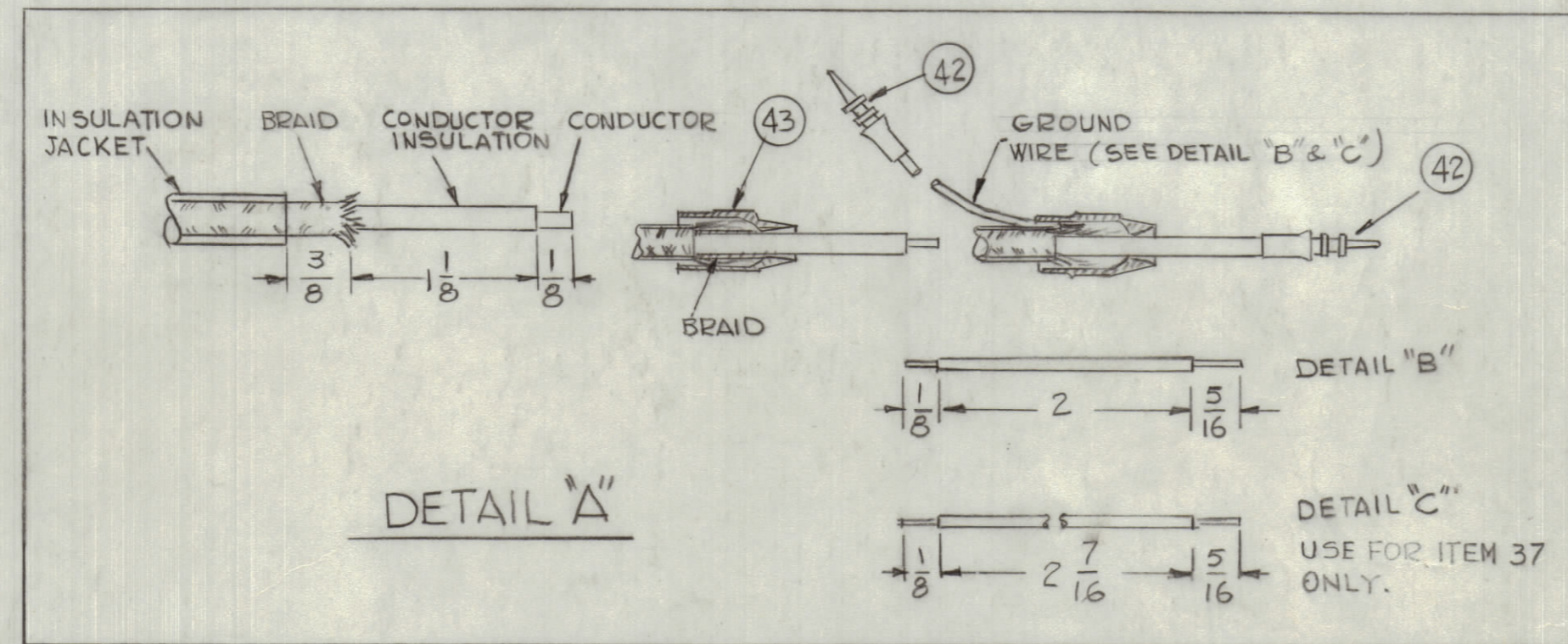
SEE DETAIL 'F'

SEE DETAIL 'D'

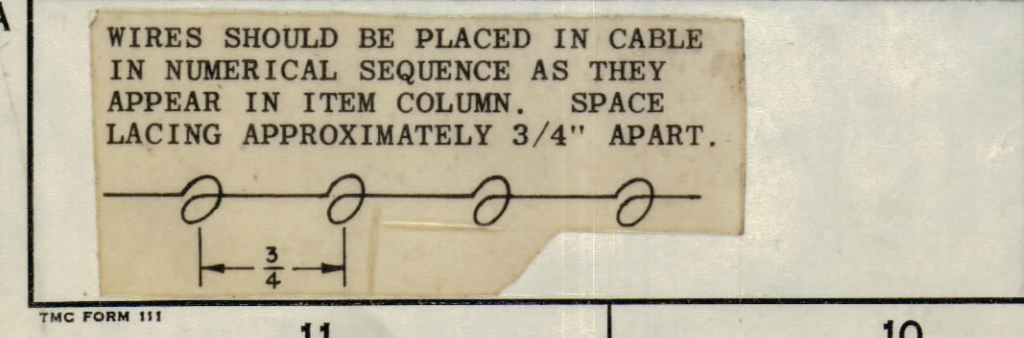
SEE DETAIL 'E'

SYMBOL NOTES

- DENOTES ITEM NOS.
- △ DENOTES CONNECTOR
- ▽ DENOTES PIN NOS.
- DENOTES BREAKOUT POINT



- THE ABOVE SYMBOL DENOTES END OF SHIELD, WHICH SHOULD BE TERMINATED AS SHOWN, LEAVING EXCESS SHIELDING AS A PIGTAIL. TIN PIGTAIL 1/4 INCH.
- THIS SYMBOL DENOTES END OF INSULATION AND NAIL DRIVING POINT. WIRE MUST BE STRIPPED 3/4" BEYOND THIS POINT AND TINNED 1/2" UNLESS OTHERWISE SPECIFIED.
- THE ABOVE SYMBOL DENOTES END OF SHIELD, WHICH SHOULD BE TERMINATED AS SHOWN. SEE DETAIL 'A'



NOTE: COLORS DENOTE PIN NOS. OF CONNECTORS, USE RTMA COLOR CODE  
 USE .042 PX100 ON #26 WIRE  
 USE .053 PX100 ON ALL RG174/U WIRE

NOTE: ON RG174/U BREAKOUT 12, SEE DETAIL 'A'

ZONE	SYM	ITEM	PART NUMBER	FROM	DESCRIPTION	TO	SYMBOL
12	12	75	PL242-1		CONNECTOR PLUG, TAPERED PIN		
		74	LWC26(7)U32		E103, PIN 26		
		71	LA101		E103, PIN 18		
X		72	BS100		SOLDER, SOFT		
X		71	CD101-MW		CORD, LACING		
12		70	PN120-1		PIN, CONTACT ELECT.		
1		69	JJ321-11SF		CONN. RECEPTACLE		
1		68	JJ321-3SF		CONN. RECEPTACLE		
4		67	JJ321-7SF		CONN. RECEPTACLE		
8		66	PXR30-12-1		SHRINK, TUBING		
1		65	PX100-9-053		INSULATION SLEEVING, ELECT.		
1		64	PX100-8-053				WHITE
1		63	PX100-7-053				GRAY
1		62	PX100-6-053				VIOLET
1		61	PX100-5-053				BLUE
1		60	PX100-4-053				GREEN
1		59	PX100-3-053				RED
1		58	PX100-2-053				BLACK
3		57	PX100-1-053				BROWN
1		56	PX100-0-053				WHITE
1		55	PX100-9-042				GRAY
1		54	PX100-8-042				VIOLET
1		53	PX100-7-042				BLUE
1		52	PX100-6-042				GREEN
1		51	PX100-5-042				YELLOW
1		50	PX100-4-042				ORANGE
1		49	PX100-3-042				RED
1		48	PX100-2-042				BLACK
4		47	PX100-1-500		INSULATION SLEEVING, ELECT.		
1		46	CU102-7		CLAMP LOOP, 1/2 DIA.		
2		45	CU102-4		CLAMP, LOOP 5/16 DIA.		
1		44	PL244-1		CONNECTOR PLUG, BNC, CRIMP TYPE		
6		43	CU159		FERRULE, INSULATED		
23		42	PL242-2		CONNECTOR, PLUG, TAPERED PIN		
9	12	41	LWC26(7)U52		S105C-PIN A		E105 PIN 1
11	12	20	40	LWC26(7)U58	S105B B		E105-PIN 3
10	12	22	39	LWC26(7)U57	S105A A		E105-PIN 2
7	10	11	38	LWC26(7)U51	J211 10		S105A-A3
					J211 5		E102-31
7	12	24	37	RG174/U	J211 6		SHIELD 22
7	10	12	36	LWC26(7)U59	J211 9		S105A-A2
7	10	11	35	LWC26(7)U54	J211 4		S105A-A1
7	12	23	34	RG174/U	J211 A1		E105-PIN 9
					J211 3		SHIELD-PIN 10
7	12	23	33	LWC26(7)U53	J211 3		E105-PIN 11
7	10	12	32	LWC26(7)U5	J211 8		S105A-A4
7	12	24	31	LWC26(7)U32	J211 2		E103 PIN 26
7	10	12	30	LWC26(7)U57	J211 7		S105A-A5
7	12	24	29	LWC26(7)U50	J211 1		E105-PIN 16
6	8	9	28	RG174/U	J212 A2		S105D-A2
6	12	22	27	LWC26(7)U50	J212 5		E105-PIN 17
6	11	10	26	LWC26(7)U58	J212 4		S105B-B1
6	9	9	25	LWC26(7)U52	J212 1		S105C-A2
6	12	23	24	LWC26(7)U53	J212 3		E105-PIN 12
6	12	24	23	RG174/U	J212-PIN A1		E105-PIN 5
5	9	10	22	RG174/U	J213 PIN A3		S105C-B1
5	11	10	21	RG174/U	J213 A2		S105B-A1
5	10	11	20	RG174/U	J213 A1		S105A-B1
4	8	9	19	RG174/U	J214 A2		S105D-A3
4	12	21	18	LWC26(7)U50	J214 5		E105-PIN 18
4	11	11	17	LWC26(7)U58	J214 4		S105B-B3
4	9	9	16	LWC26(7)U52	J214 1		S105C-A3
4	12	22	15	LWC26(7)U53	J214 3		E105 PIN 13
4	12	23	14	RG174/U	J214 A1		E105-PIN 6
3	8	9	13	RG174/U	J215 A2		S105D-A4
3	12	21	12	LWC26(7)U50	J215 5		E105 PIN 19
3	9	10	11	LWC26(7)U58	J215 4		S105B-B4
3	9	10	10	LWC26(7)U52	J215 1		S105C-A4
3	12	22	9	LWC26(7)U53	J215 3		E105-PIN 14
3	12	24	8	RG174/U	J215 A1		E105-PIN 7
2	8	10	7	RG174/U	J216 A2		S105D-A5
2	12	22	6	LWC26(7)U50	J216 5		E105 PIN 20
2	11	10	5	LWC26(7)U58	J216 4		S105B-B5
2	9	10	4	LWC26(7)U52	J216 1		S105C-A5
2	12	23	3	LWC26(7)U53	J216 3		E105 PIN 15
2	12	24	2	RG174/U	J216-PIN A1		E105-PIN 8
8	1	32	1	RG174/U	S105D-A		ANT. CONN

CA 945

QTY/UNIT	MODEL USED ON	ASBY. NO.
SCALE 1:1	CODE A	

UNLESS OTHERWISE SPECIFIED	
DIMENSIONS ARE IN INCHES AND INCLUDE CHEMICALLY APPLIED OR PLATED FINISHES.	
DECIMALS ±.005	FRACTIONS ±1/64
ANGLES ±0.1	TOLERANCES ±0.30

THE CONTENTS OF THIS DRAWING ARE THE EXCLUSIVE PROPERTY OF THE TECHNICAL MATERIEL CORP. ITS UNAUTHORIZED USE OR REPRODUCTION IN WHOLE OR IN PART IS STRICTLY FORBIDDEN.

THE TECHNICAL MATERIEL CORP.  
MAMARONECK, NEW YORK

TITLE: WIRING HARNESS BRANCHED

DATE: 10-26-64  
DRAWN: G.D.L.  
CHECKED: [Signature]  
DATE: 12/30/64  
ELECT. DES. [Signature]  
MECH. DES. [Signature]  
DATE: 10-15-64  
SHEET: [Blank]  
REV. LTR. [Blank]

NOTES