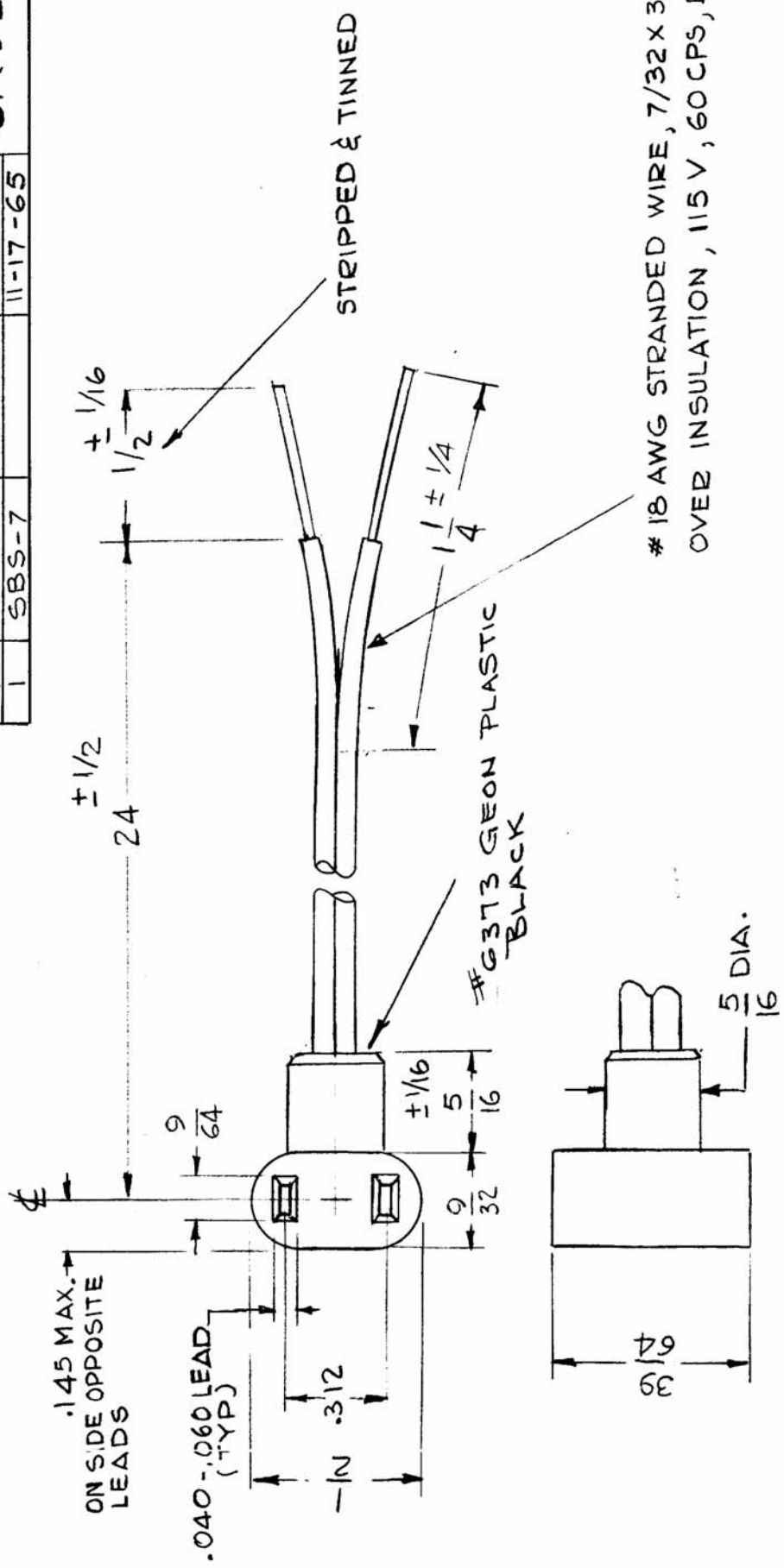


STANDARD DRAWING

REQ. PER UNIT	1	USED ON	CA925
MODEL	SBS-7	ASSY. NO.	
		DATE	11-17-65



#18 AWG STRANDED WIRE, 7/32 X 3/32
OVER INSULATION, 115 V, 60 CPS, BLK

REQ. ITEM	PART NO.	DESCRIPTION	SYMBOL
		THE TECHNICAL MATERIEL CORP. MAMARONECK. NEW YORK	
		CABLE, ASSY., POWER, ELECTRICAL	
		G.D.L. 11-17-65	
		11/18/65	
		11/19/65	
		CHECKED	
		DRAWN	
		FINAL APPROVAL	
		ELEC. DES. APP. MECH. DES. APP.	
		CA925	
		ML WMS	