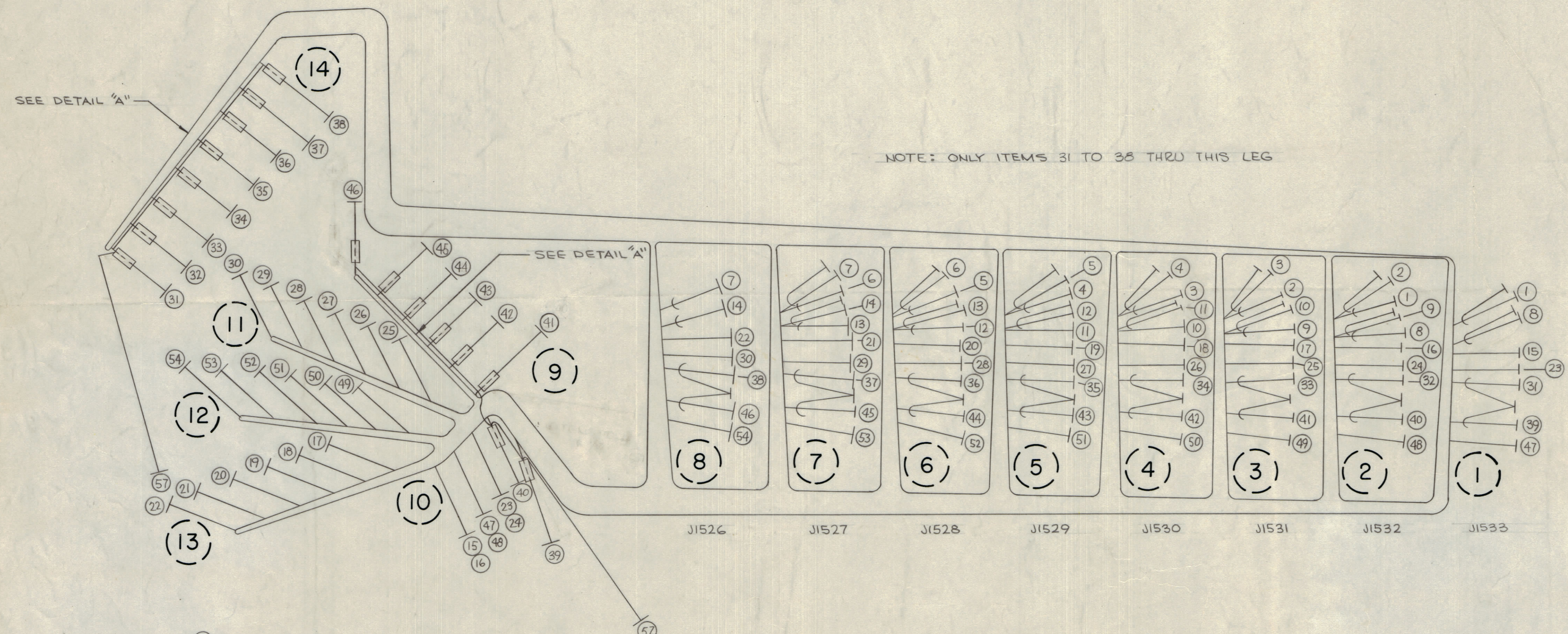
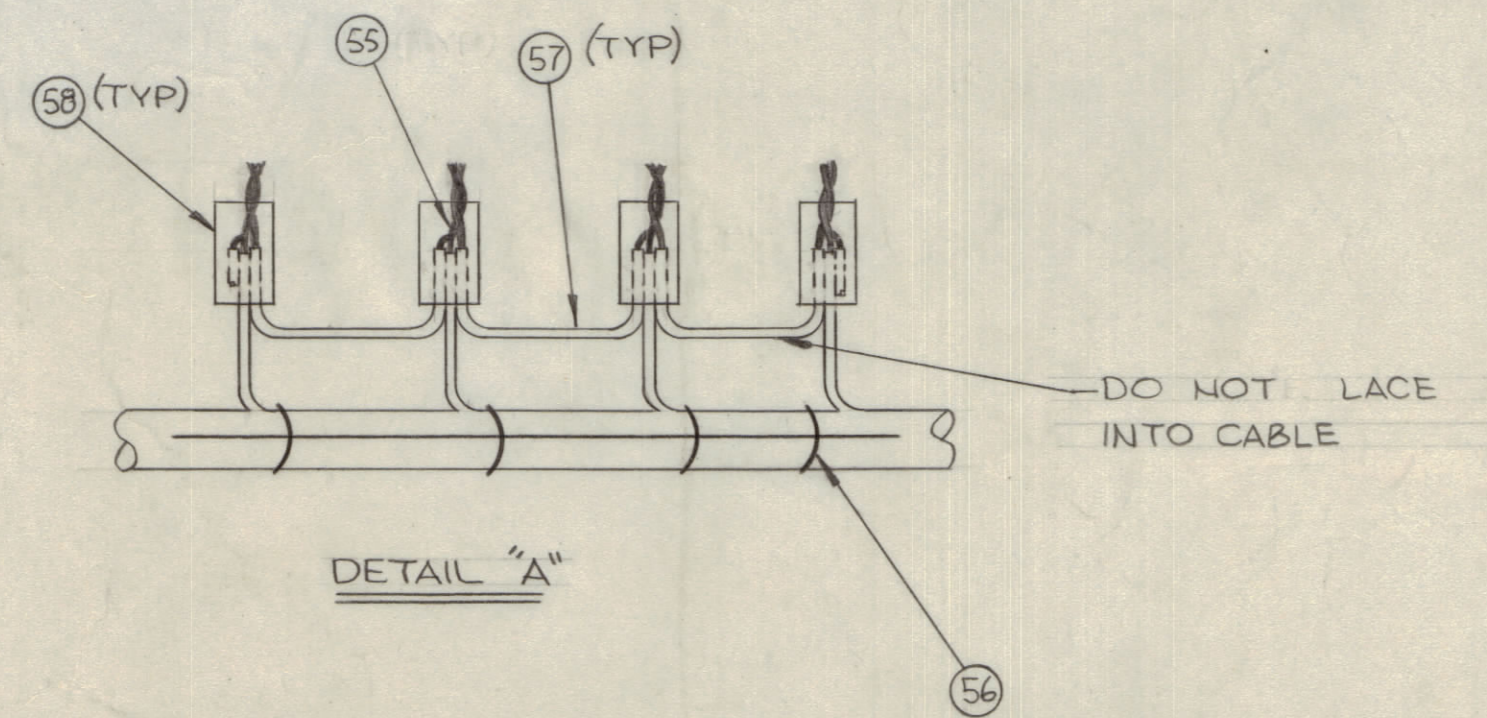


REVISIONS						
ZONE	SYM	DESCRIPTION	DATE	E.M.N. NO.	DRAFT	CHKD
A		COMPLETELY REVISED & REDRAWN FROM 4 SIZE	10.18.66	17013	UHO	
B		ITEMS 39 THRU 46 RELOCATED 457	1-4-67	17592	UHO	



CA 919 919 WIRING HARNESS BRANCHED SHEET 2 OF 2 Sheet 1 of 2

REQ	ITEM	PART NUMBER	BREAKOUT		DESTINATION OR DESCRIPTION	
			FROM	TO	FROM	TO
1		MWC24 (7) SJ98	1	2	J1533-10	J1532-10
2		98	2	3	J1532-10	J1531-10
3		98	3	4	J1531-10	J1530-10
4		98	4	5	J1530-10	J1529-10
5		98	5	6	J1529-10	J1528-10
6		98	6	7	J1528-10	J1527-10
7		98	7	8	J1527-10	J1526-10
8		8	1	2	J1533-9	J1532-9
9		8	2	3	J1532-9	J1531-9
10		8	3	4	J1531-9	J1530-9
11		8	4	5	J1530-9	J1529-9
12		8	5	6	J1529-9	J1528-9
13		8	6	7	J1528-9	J1527-9
14		MWC24 (7) SJ8	7	8	J1527-9	J1526-9
15		MWC24 (7) U	9	10	J1533-8	S1515-D-1
16		7	2	10	J1532-8	S1515-D-2
17		6	3	13	J1531-8	S1515-D-3
18		5	4	13	J1530-8	S1515-D-4
19		4	5	13	J1529-8	S1515-D-5
20		3	6	13	J1528-8	S1515-D-6
21		2	7	13	J1527-8	S1515-D-7
22		1	8	13	J1526-8	S1515-D-8
23		97	1	10	J1533-7	S1515-B-1
24		95	2	10	J1532-7	S1515-B-2
25		94	3	11	J1531-7	S1515-B-3
26		93	4	11	J1530-7	S1515-B-4
27		92	5	11	J1529-7	S1515-B-5
28		91	6	11	J1528-7	S1515-B-6
29		90	7	11	J1527-7	S1515-B-7
30		MWC24 (7) U	8	11	J1526-7	S1515-B-8
31		RG174/U	1	14	J1533-6	S1515-E-1
32		2	14	J1532-6	S1515-E-2	
33		3	14	J1531-6	S1515-E-3	
34		4	14	J1530-6	S1515-E-4	
35		5	14	J1529-6	S1515-E-5	
36		6	14	J1528-6	S1515-E-6	
37		7	14	J1527-6	S1515-E-7	
38		RG174/U	8	14	J1526-6	S1515-E-8
39		1	10	J1533-3	S1515-A-1	
40		2	10	J1532-3	S1515-A-2	
41		3	9	J1531-3	S1515-A-3	
42		4	9	J1530-3	S1515-A-4	
43		5	9	J1529-3	S1515-A-5	
44		6	9	J1528-3	S1515-A-6	
45		7	9	J1527-3	S1515-A-7	
46		RG174/U	8	9	J1526-3	S1515-A-8
47		MWC24 (7) U1	1	10	J1533-1	S1515-C-1
48		2	10	J1532-1	S1515-C-2	
49		3	12	J1531-1	S1515-C-3	
50		MWC24 (7) U4	4	12	J1530-1	S1515-C-4



○ DENOTES ITEM No's

UNLESS OTHERWISE SPECIFIED WIRES SHOULD BE PLACED IN CABLE IN NUMERICAL SEQUENCE AS THEY APPEAR IN ITEM COLUMN BY CATEGORY.

- ALL R.F. CABLES
- ALL SHIELDED CABLES
- ALL OTHERS

SPACE LACING APPROXIMATELY 3/4" APART.

PIGTAIL

THE ABOVE SYMBOL DENOTES END OF SHIELD, WHICH SHOULD BE TERMINATED AS SHOWN, LEAVING EXCESS SHIELDING AS A PIGTAIL. TIN PIGTAIL 1/4 INCH.

THIS SYMBOL DENOTES END OF INSULATION AND NAIL DRIVING POINT. WIRE MUST BE STRIPPED 3/4" BEYOND THIS POINT AND TINNED 1/2" UNLESS OTHERWISE SPECIFIED.

THIS SYMBOL INDICATES END OF SHIELDING.

REQ'D.	ITEM	PART NUMBER	DESCRIPTION	SYMBOL
LIST OF MATERIAL				
MATERIAL		THE TECHNICAL MATERIEL CORP. MAMARONECK, NEW YORK		
FINISH		WIRING HARNESS-BRANCHED		
UNLESS OTHERWISE SPECIFIED DIMENSIONS ARE IN INCHES AND INCLUDE CHEMICALLY APPLIED OR PLATED FINISHES		DRAWN G.D.L.	DATE 5.11.64	FINAL APPROVAL RDC
		CHECKED A	DATE 11.13.64	
DECIMALS ± .05		ELECT. DES. TRA	DATE 11.13.64	CA919
TOLERANCES ± .01		MECH. DES.	DATE	B
ANGLES ± 0° 30'				