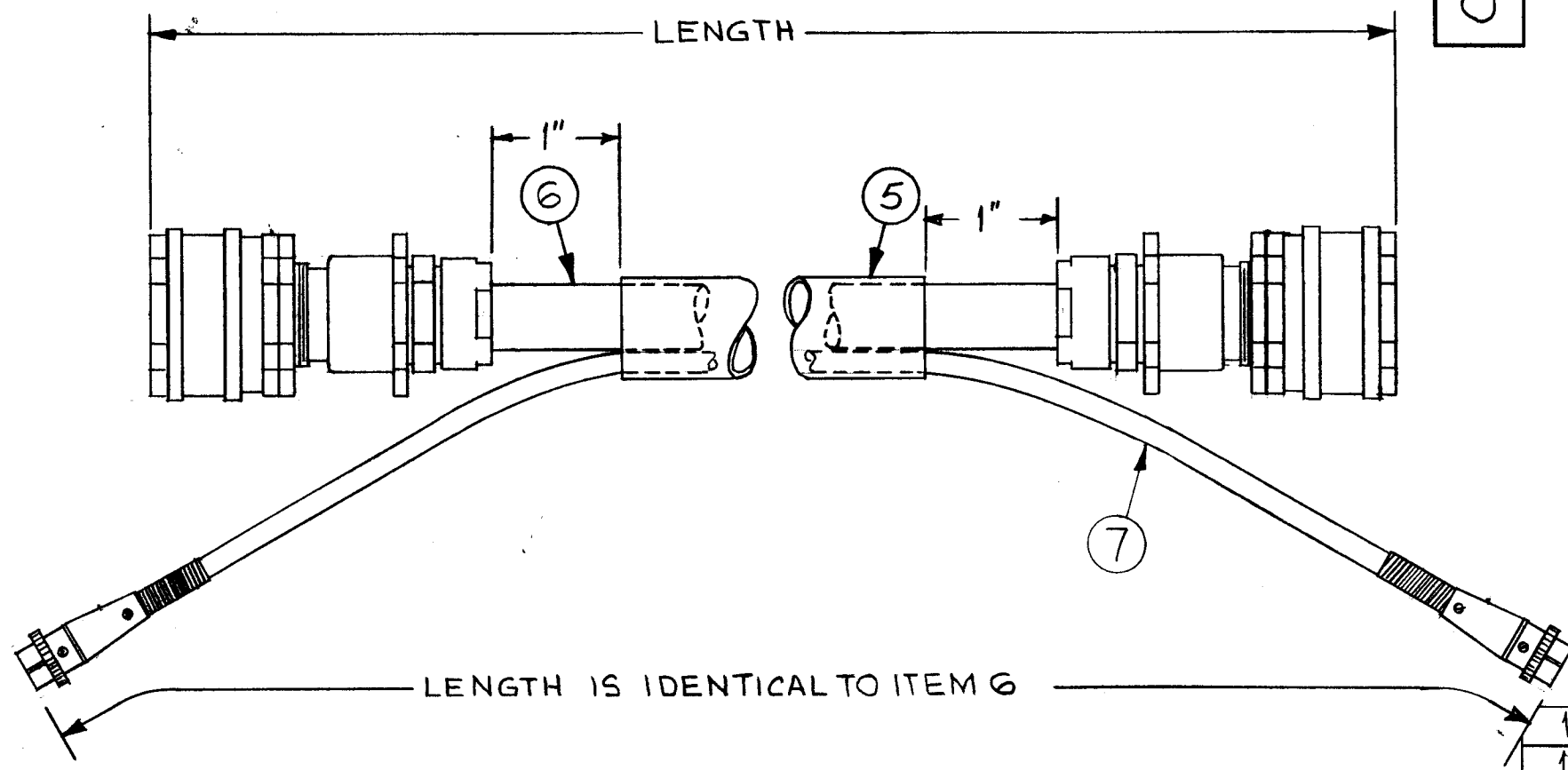
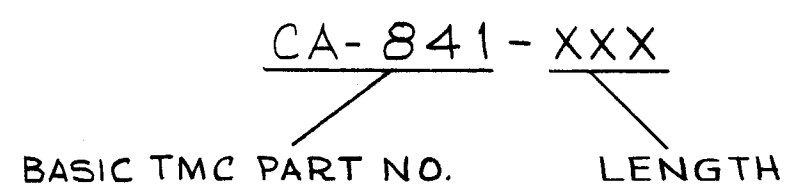


CA-841  
A

| REVISIONS |                          |          |            |                   |                   |
|-----------|--------------------------|----------|------------|-------------------|-------------------|
| SYM       | DESCRIPTION              | DATE     | E.M.N. NO. | DRAFT             | CHKD APPD         |
| A         | UPDATING & CLARIFICATION | 11/22/63 | 10475      | <i>[initials]</i> | <i>[initials]</i> |



TMC PART NUMBER SHALL BE IN THE FOLLOWING FORM:



- NOTE:
- FOR 119" LENGTHS OR LESS, EXPRESS IN INCHES. FOR 10 FOOT LENGTHS OR OVER EXPRESS IN FEET TO THE NEAREST FOOT OR HALF FOOT USE LETTER "F".
  - ITEM 5 LENGTH SHALL BE 2 INCHES SHORTER THAN ITEM 6.

| 1        | 7    | CA-850-XXX    | CABLE, INTERLOCK                |        |
|----------|------|---------------|---------------------------------|--------|
| 1        | 6    | CA-480-37-XXX | CABLE, RF                       |        |
| SEE NOTE | 5    | PX-836-1-1000 | INSULATION SLEEVING, ELECTRICAL |        |
|          | 4    | DELETED       |                                 |        |
|          | 3    | DELETED       |                                 |        |
|          | 2    | DELETED       |                                 |        |
|          | 1    | DELETED       |                                 |        |
| REQ'D.   | ITEM | PART NUMBER   | DESCRIPTION                     | SYMBOL |

| MATERIAL  |  | LIST OF MATERIAL  |                  |                                      |           |
|---|--|---|------------------|--------------------------------------|-----------|
|   |  | <b>THE TECHNICAL MATERIEL CORP.</b><br>MAMARONECK, NEW YORK |                  |                                      |           |
| FINISH  |  | TITLE<br>CABLE ASS'Y, RF<br>(QDL STRAIGHT)                  |                  |                                      |           |
| UNLESS OTHERWISE SPECIFIED<br>DIMENSIONS ARE IN INCHES AND INCLUDE<br>CHEMICALLY APPLIED OR PLATED FINISHES |  | DRAWN<br>M TANTILLO   | DATE<br>10-31-63 | FINAL APPROVAL<br><i>[Signature]</i> |           |
|   |  | CHECKED   | DATE             | DATE                                 |           |
| DECIMALS<br>.X ± .05<br>.XX ± .01<br>.XXX ± .005  |  | ELECT. DES.   |                  | DATE                                 | SHEET     |
|   |  | TOLERANCES  |                  | DATE<br>11-1-63                      |           |
| FRACTIONS<br>± 1/64<br>ANGLES<br>± 0° 30'   |  | MECH. DES.  |                  | DATE                                 | REV. LTR. |
|   |  |   |                  |                                      |           |

|   | QDP-9E2X4B    |            |
|---|---------------|------------|
|   | QDP-9E2S4B    |            |
| Q'TY./UNIT  | MODEL USED ON | ASS'Y. NO. |
| SCALE<br>1:2  | CODE          |            |
| THE CONTENTS OF THIS DRAWING ARE THE EXCLUSIVE PROPERTY OF THE TECHNICAL MATERIEL CORP. ITS UNAUTHORIZED USE OR REPRODUCTION IN WHOLE OR IN PART IS STRICTLY FORBIDDEN. |               |            |

NOTES