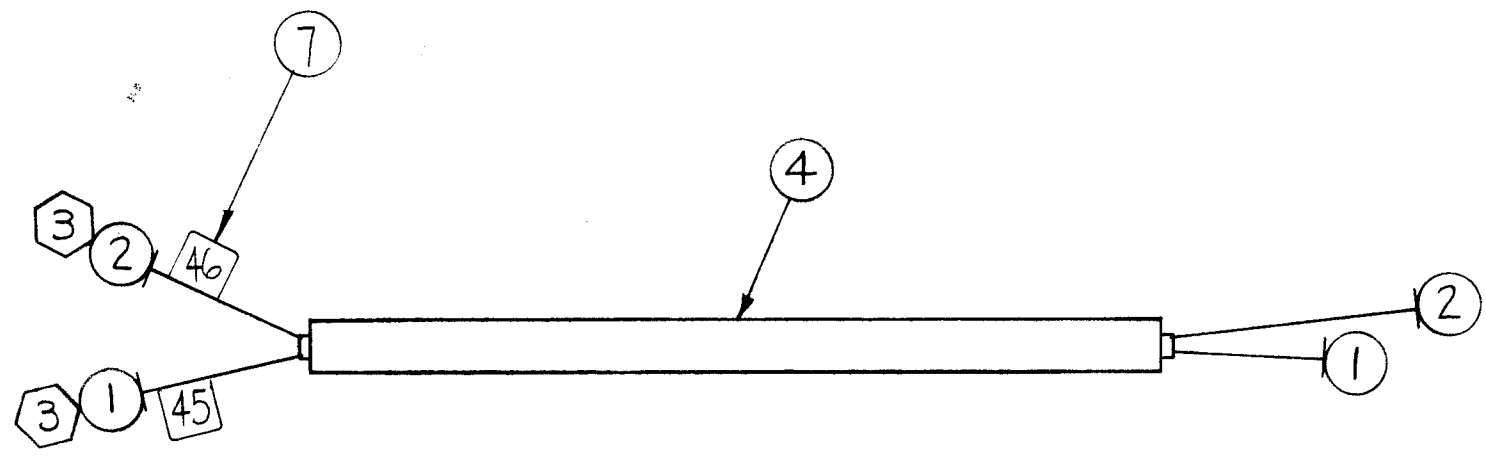


CA-780



REVISIONS						
SYM	DESCRIPTION	DATE	E.M.N. NO.	DRAFT	CHKD	APPD
A	REDRAWN & REVISED					
0	ORIGINAL RELEASE FOR PRODUCTION	4-24-64		SRG		

THIS SYMBOL DENOTES END OF INSULATION & NAIL DRIVING POINT. WIRE MUST BE STRIPPED 3/4" BEYOND THIS POINT & TINNED 1/2" UNLESS OTHERWISE SPECIFIED.

THIS EQUALS THIS

WIRES SHOULD BE PLACED IN NUMERICAL SEQUENCE AS THEY APPEAR IN ITEM COLUMN. SPACE LACING APPROX. 3/4" APART.

NOTES

~SYMBOL NOTES~

○ DENOTES ITEM NO'S.

⬡ DENOTES LUGS

□ DENOTES TAGS

REQ'D.	ITEM	PART NUMBER	DESCRIPTION	SYMBOL
	7	LA-101-45 & 46	WIRE MARKERS	
	6	BS-100	SOLDER, SOFT	
	5	CD-101-1-MW	CORD, LACING	BLACK
	4	PX-100-1-294	SLEEVING, INSULATION	BLACK
2	3	TE-120-2	LUG, SPADE	
	2	MWC20(7)B93	CABLE, INSULATED, FIBERGLASS	WH/ORN.
	1	MWC20(7)B92	CABLE, INSULATED, FIBERGLASS	WH/RED

F. BUDETTI					LIST OF MATERIAL	
MATERIAL			THE TECHNICAL MATERIEL CORP. MAMARONECK, NEW YORK			
FINISH			TITLE CABLE ASS'Y. TUBE PROTECT RELAY (RELAY A)			
UNLESS OTHERWISE SPECIFIED DIMENSIONS ARE IN INCHES AND INCLUDE CHEMICALLY APPLIED OR PLATED FINISHES		DRAWN: <i>G. Sencen</i> CHECKED: <i>W. F.</i> ELECT. DES: <i>O.B.B.</i> MECH. DES: <i>S.D.</i>	DATE: 4-24-63 DATE: 2-7-64 DATE: 2-7-64	FINAL APPROVAL: <i>RDC</i> DATE:	CA-780 SHEET:	DATE: REV. LTR.: 0

1	GPT-200K	AR-145
Q'TY./UNIT	MODEL USED ON	ASS'Y. NO.
SCALE	CODE A	
THE CONTENTS OF THIS DRAWING ARE THE EXCLUSIVE PROPERTY OF THE TECHNICAL MATERIEL CORP. ITS UNAUTHORIZED USE OR REPRODUCTION IN WHOLE OR IN PART IS STRICTLY FORBIDDEN.		